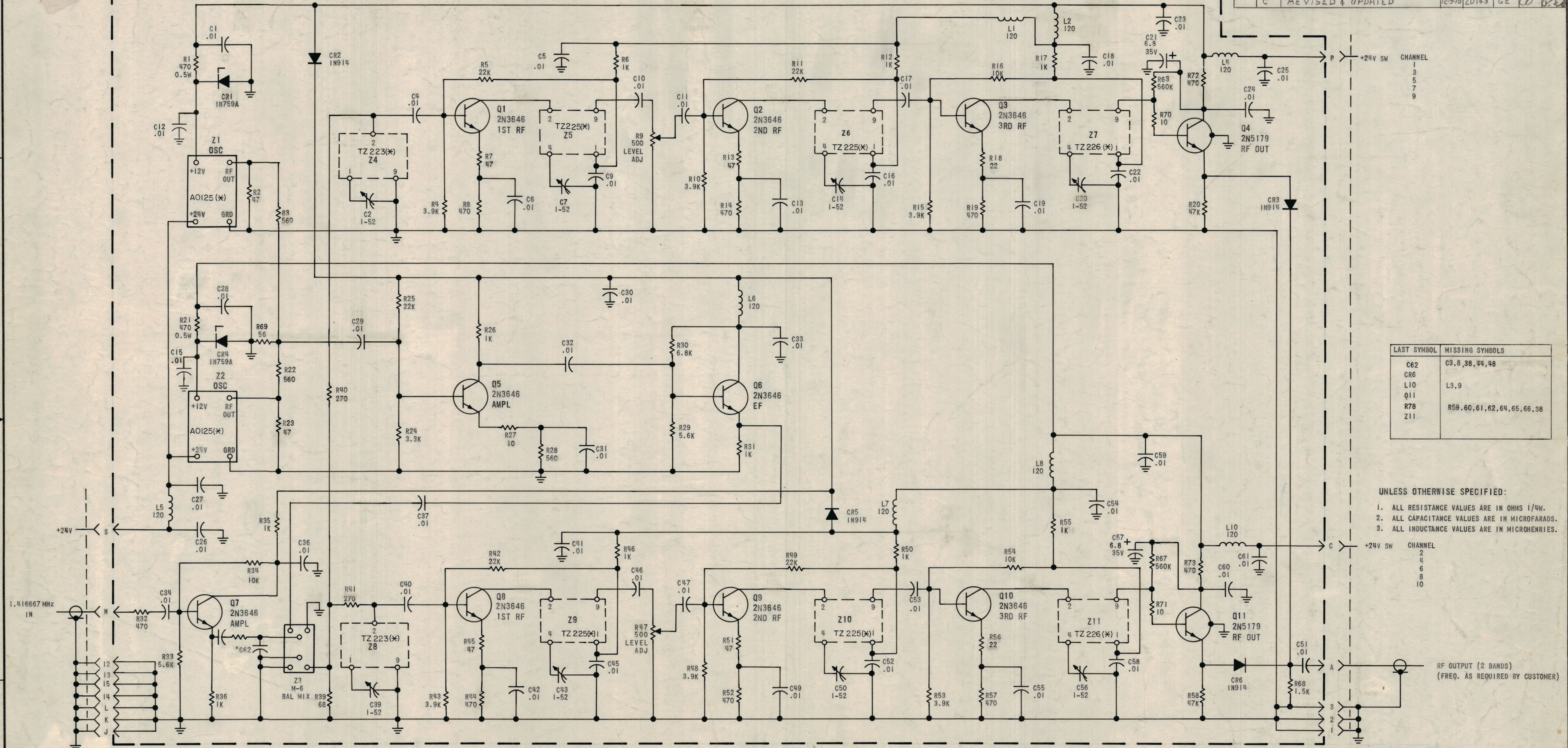


| | | REVISIONS | | | | | |
|------|-----|----------------------------|---------|----------|-------|------|------|
| ZONE | LTR | DESCRIPTION | DATE | E.M.N.NO | DRAFT | CHKD | APPD |
| | X5 | REDRAWN & REVISED | 5-17-68 | X5 | W | | |
| | X6 | REVISED & UPDATED | 10-1-68 | X6 | W | | |
| | B | ORIGINAL RELEASE FOR PROD. | 10-6-68 | B | R.G. | | |
| | A | REVISED & UPDATED | 8/3/68 | 19517 | GE | | |
| | B | C21 & C54 WERE 4 | 12-1-70 | 19770 | KD | | |
| | C | REVISED & UPDATED | 12-9-70 | 20143 | GE | | |



| LAST SYMBOL | MISSING SYMBOLS |
|-------------|---------------------------------|
| C62 | C3, 8, 38, 44, 48 |
| CR6 | |
| L10 | L3, 9 |
| Q11 | |
| R78 | R59, 60, 61, 62, 64, 65, 66, 38 |
| Z11 | |

- UNLESS OTHERWISE SPECIFIED:
1. ALL RESISTANCE VALUES ARE IN OHMS 1/4W.
 2. ALL CAPACITANCE VALUES ARE IN MICROFARADS.
 3. ALL INDUCTANCE VALUES ARE IN MICROHENRIES.

*NOTE: C62 VALUE:
 FOR OSC. FREQ. 20-32Mc USE 100pf (CC100-30)
 FOR OSC. FREQ. 9.5-20Mc USE 1000pf (CC100-29)
 FOR OSC. FREQ. 2-9.5Mc NO CAPACITOR REQUIRED
 TO COMPLETE PART NO. FOR Z4, 5, 6, 7, 8, 9, 10, AND 11 TYPE REFERENCE TO S1258
 TO COMPLETE PART NO. FOR Z1 AND Z2 ADD 1416.666 KC TO DESIRED OUTPUT CARRIER FREQUENCY

| QTY. REQ. | ITEM | PART NO. | DESCRIPTION | SYMBOL |
|---|---|-----------------|-------------|----------|
| | O. POSE LIST OF MATERIAL | | | |
| | FINAL APPROVAL: <i>[Signature]</i> DATE: <i>[Date]</i> | | | |
| | MECH. DES. DATE: <i>[Date]</i> | | | |
| | ELECT. DES. <i>Jack & Zary</i> DATE: <i>10-8-68</i> | | | |
| | CHECKED: <i>[Signature]</i> DATE: <i>10/9/68</i> | | | |
| | DRAWN: J. WACHMAN DATE: 5-17-68 | | | |
| UNLESS OTHERWISE SPECIFIED DIMENSIONS ARE IN INCHES AND INCLUDE CHEMICALLY APPLIED OR PLATED FINISHES | | | | |
| TOLERANCES ON | | | | |
| DECIMALS | | FRACTIONS | | |
| .X ± .05 | | ± 1/64 | | |
| .XX ± .01 | | ANGLES | | |
| .XXX ± .005 | | ± 0° - 30' | | |
| MATERIAL | | | | |
| FINISH | | | | |
| NOTICE TO PERSONS RECEIVING THIS DRAWING | | | | |
| THE TECHNICAL MATERIEL CORPORATION claims proprietary right in the material disclosed hereon. This drawing is issued in confidence for engineering information only and may not be reproduced or used to manufacture anything shown hereon without permission from THE TECHNICAL MATERIEL CORPORATION to the user. This drawing is loaned for mutual assistance and is subject to recall at any time. | | | | |
| SME-6 | | A 4647- | | |
| QTY / UNIT | MODEL USED ON | ASS'Y NO. | | |
| APPLICATION | | | | |
| CODE | | | | |
| SIZE | | CODE IDENT. NO. | DWG NO. | ISSUE |
| D | | 82679 | CK 1485 - | C |
| SCALE | | | | SHEET OF |