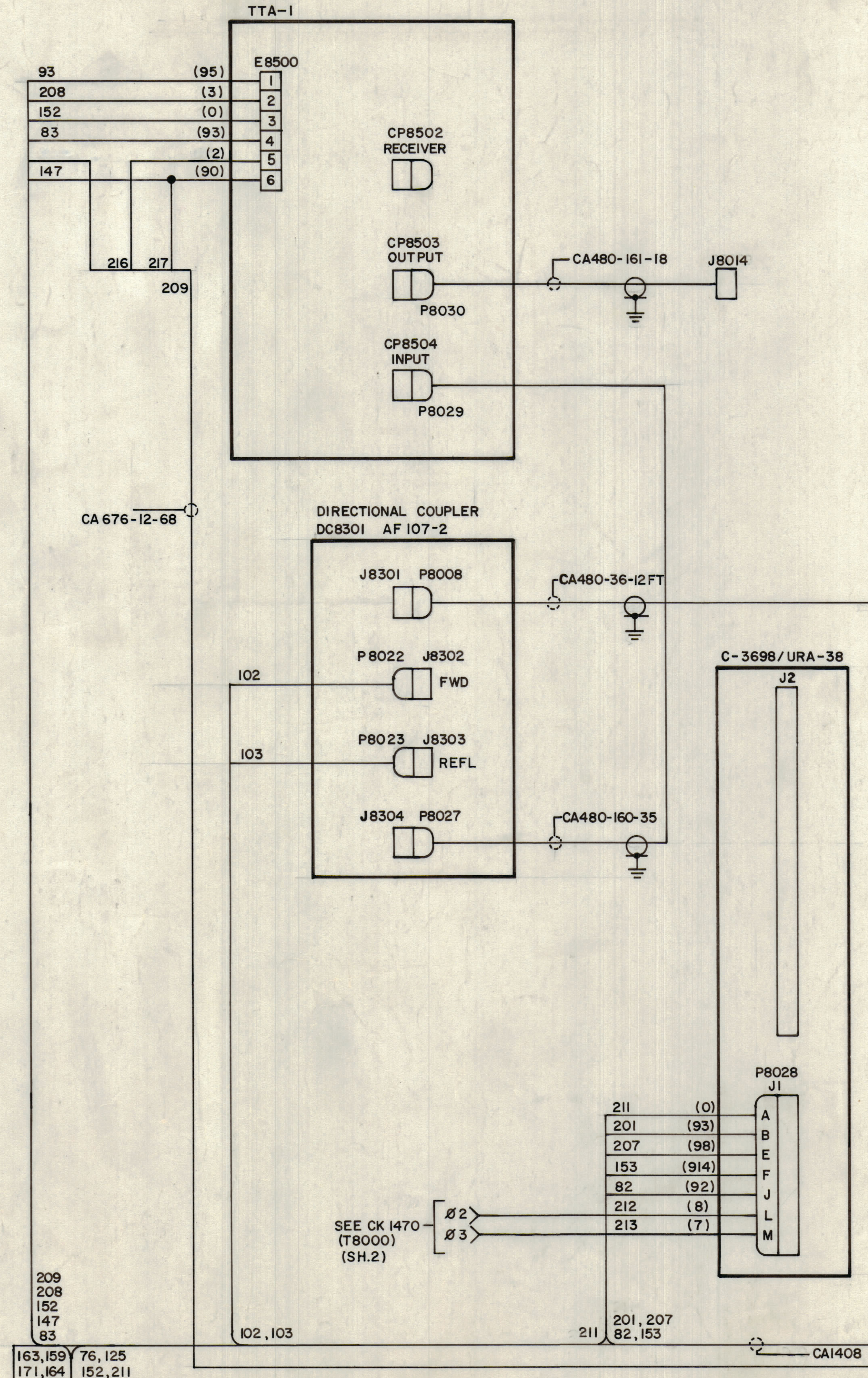
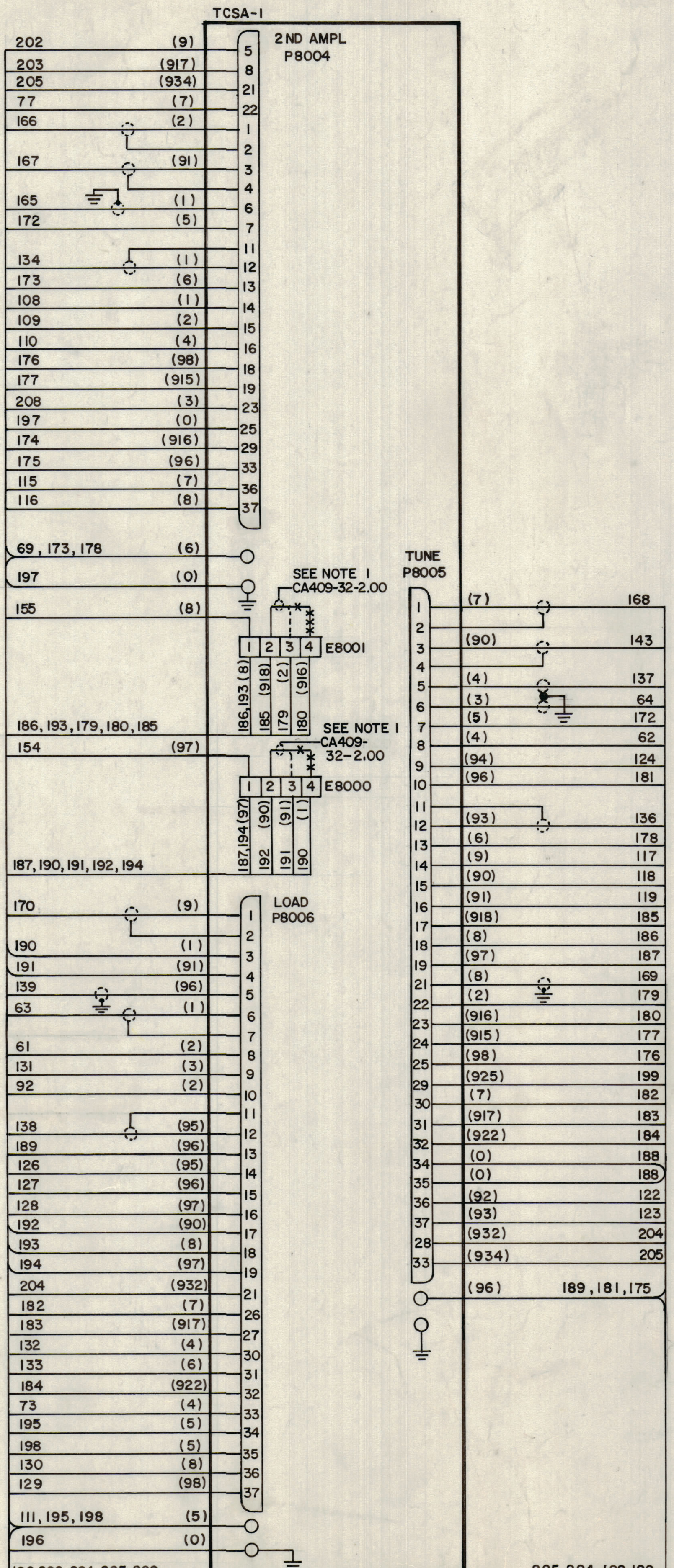


REVISIONS						
ZONE	LTR	DESCRIPTION	DATE	E.M.N.NO	DRAFT	CHKD APPD
X		EXPERIMENTAL RELEASE	2-5-68	-	HQ	
X	I	REV. & UPDATED	3/7/68	-	HQ	
		ORIG. RELEASE FOR PRODUCTION	3-7-68		FG	
A		ON TTA-1 P8029, P8030 ADDED	5-1-68	18900	HQ	FB
B		SEE SHEET 1 OF 3	6-28-68	18980	HQ	FB
C		API 145 CIRCUIT ADDED	10/16/68	19066	HQ	FB



SEE SHEET I (P8009)

SEE CK 1470 (T8000) (SH.2)

SEE SHEET I

203, 174, 170, 167, 166, 165, 155, 154
 196, 202, 204, 205, 208
 175, 176, 177, 178, 179, 180, 182, 183, 184, 185, 186, 187
 126, 127, 128, 129, 130, 131, 132, 133, 134, 138, 139, 172
 61, 63, 69, 73, 77, 92, 108, 109, 110, 111, 115, 116
 205, 204, 199, 189
 187, 186, 185, 184, 183
 182, 180, 179, 178, 177
 176, 175, 172, 169, 168
 137, 143
 122, 123, 124, 136
 62, 64, 117, 118, 119

QTY. REQ.	ITEM	PART NO.	DESCRIPTION	SYMBOL
FINAL APPROVAL: F. BUDETTI DATE: 3-7-68				
MECH. DES. DATE: 3-7-68				
ELECT. DES. DATE: 3-7-68				
CHECKED DATE: 3-7-68				
DRAWN: H. AUSTIN DATE: 2-5-68				
LIST OF MATERIAL				
THE TECHNICAL MATERIEL CORP. MAMARONECK, NEW YORK				
DIAGRAM, WIRING				
MATERIAL		SIZE	CODE IDENT. NO.	DWG. NO.
FINISH		D	82679	CK1480
SCALE SHEET 2 OF 3				

APPLICATION		
I	MODEL USED ON	ASSY. NO.
1	RAK 110-2 JB	
QTY / UNIT		
CODE		

NOTICE TO PERSONS RECEIVING THIS DRAWING
 THE TECHNICAL MATERIEL CORPORATION claims proprietary right in the material disclosed herein. This drawing is issued in confidence for engineering information only and may not be reproduced or used to manufacture anything shown herein without permission from THE TECHNICAL MATERIEL CORPORATION to the user. This drawing is loaned for mutual assistance and is subject to recall at any time.