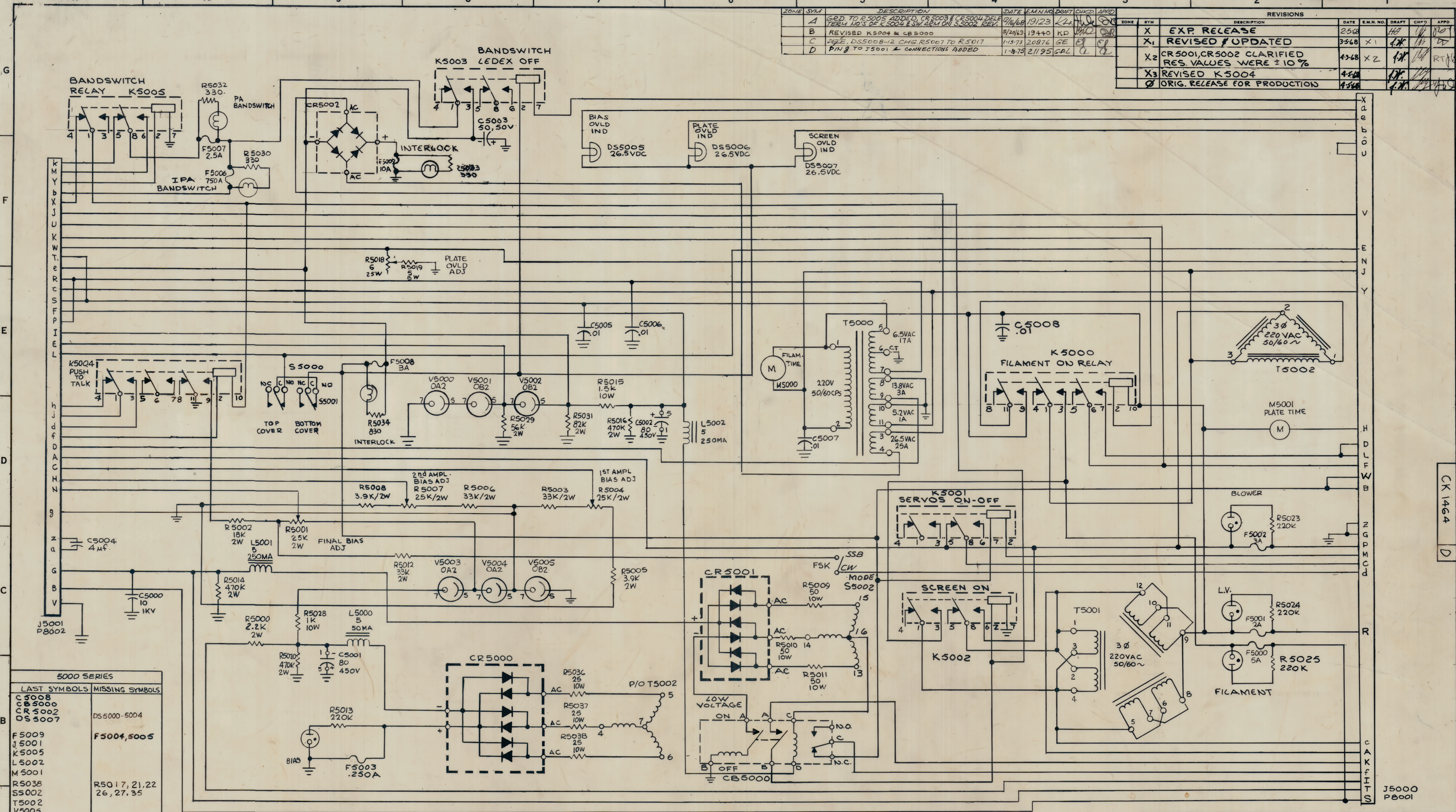


ZONE	SYM	DESCRIPTION	DATE	E.M.N. NO.	DRAFT	CHK'D	APP'D	REVISIONS							
A		GND. TO R5005 ADDED, CR5003 & CR5004 DELETED, NO'S OF R5004 & SW ARM ON S5002 REV.	9/16/68	19123				ZONE	SYM	DESCRIPTION	DATE	E.M.N. NO.	DRAFT	CHK'D	APP'D
B		REVISED K5004 & CB5000	5/20/69	19440	KD			X		EXP RELEASE	2-5-68				
C		DELE. DS500B-12 CHG. R5007 TO R5017	1-13-73	20876	GE			X1		REVISED / UPDATED	3-5-68	X1			
D		PIV TO T5001 & CONNECTIONS ADDED	1-14-75	21195	GPL			X2		CR5001, CR5002 CLARIFIED RES. VALUES WERE ±10%	4-3-68	X2			
								X3		REVISED K5004	4-3-68				
								Ø		ORIG. RELEASE FOR PRODUCTION	4-3-68				



5000 SERIES	
LAST SYMBOLS	MISSING SYMBOLS
C5008	DS5000-5004
CB5000	
CR5002	
DS5007	
F5009	F5004, 5005
J5001	
K5005	
L5002	
M5001	
R5038	R5017, 21, 22, 26, 27, 35
S5002	
T5002	
V5005	

UNLESS OTHERWISE SPECIFIED:  
 1. ALL RESISTOR VALUES ARE IN OHMS ± 5% 1/2 WATT  
 2. ALL CAPACITOR VALUES ARE IN MFD  
 3. ALL INDUCTANCE VALUES IN HY

QTY/UNIT	AP12BA	MODEL USED ON	ASSY. NO.
SCALE			

REQ'D	ITEM	PART NUMBER	DESCRIPTION	SYMBOL
BUDETTI LIST OF MATERIAL SK 3128-52				
THE TECHNICAL MATERIEL CORP. MAMARONECK, NEW YORK				
TITLE: DIAGRAM, SCHEMATIC LV SUPPLY				
UNLESS OTHERWISE SPECIFIED DIMENSIONS ARE IN INCHES AND INCLUDE CHEMICALLY APPLIED OR PLATED FINISHES				
DECIMALS	X ± .00	FRACTIONS	± 1/64	ANGLES
	XX ± .01		± 1/8	± 90°
	XXX ± .008		± 1/16	

CK 1464 D

J5000 P8001

NOTES: THE CONTENTS OF THIS DRAWING ARE THE EXCLUSIVE PROPERTY OF THE TECHNICAL MATERIEL CORP. ITS UNAUTHORIZED USE OR REPRODUCTION IN WHOLE OR IN PART IS STRICTLY FORBIDDEN.