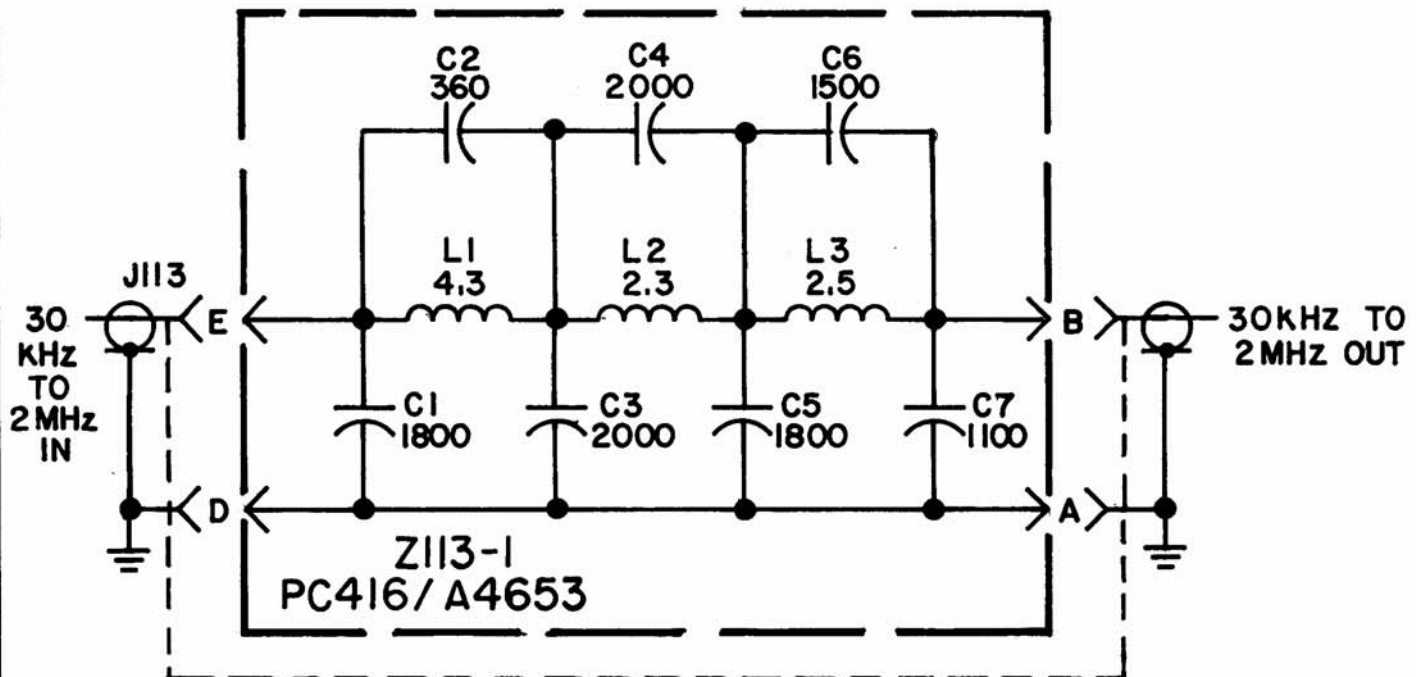


APPLICATION			REVISIONS						
QTY	MODEL USED ON	ASS'Y NO.	LTR	DESCRIPTION	DATE	E.M.N.NO	DRAFT	CHKD	APPD
1	LFE-1	A4653	X	EXPER. RELEASE	11-22-67	-	HLL		
			B	ORIG RELEASE FOR PROD.	11-28-67	B	RG		
			A	CHG. SYMBOL SERIES TO 1400	324-71	20287	RJ		



SYMBOL SERIES 1400

LAST SYMBOLS

NOTE:

ALL CAPACITANCE VALUES ARE IN PICO FARADS.  
ALL INDUCTANCE VALUES ARE IN MICROHENRIES.

C7  
L3

UNLESS OTHERWISE SPECIFIED DIMENSIONS ARE IN INCHES AND INCLUDE CHEMICALLY APPLIED OR PLATED FINISHES		REQ'D	ITEM	PART NUMBER	DESCRIPTION	SYM.
DECIMALS FRACTIONS .X ± .05 TOLS. 1/64 .XX ± .01 ANGLES .XXX ± .005 0°-30'		O-POSE LIST OF MATERIAL				
MATERIAL		FINISH APPROVAL		THE TECHNICAL MATERIEL CORP.		
FINISH		MECH. DES.		MAMARONECK, NEW YORK		
		ELECT. DES.		DIAGRAM, SCHEMATIC		
		CHECKED		OUTPUT FILTER		
		DRAWN				
NOTICE TO PERSONS RECEIVING THIS DRAWING		SIZE	CODE IDENT. NO.	DWG NO.	ISSUE	
THE TECHNICAL MATERIEL CORPORATION claims proprietary right in the material disclosed hereon. This drawing is issued in confidence for engineering information only and may not be reproduced or used to manufacture anything shown hereon without permission from THE TECHNICAL MATERIEL CORPORATION to the user. This drawing is loaned for mutual assistance and is subject to recall at any time.		A	82679	CK 1451	A	
		SCALE	M/L	SHEET	OF	