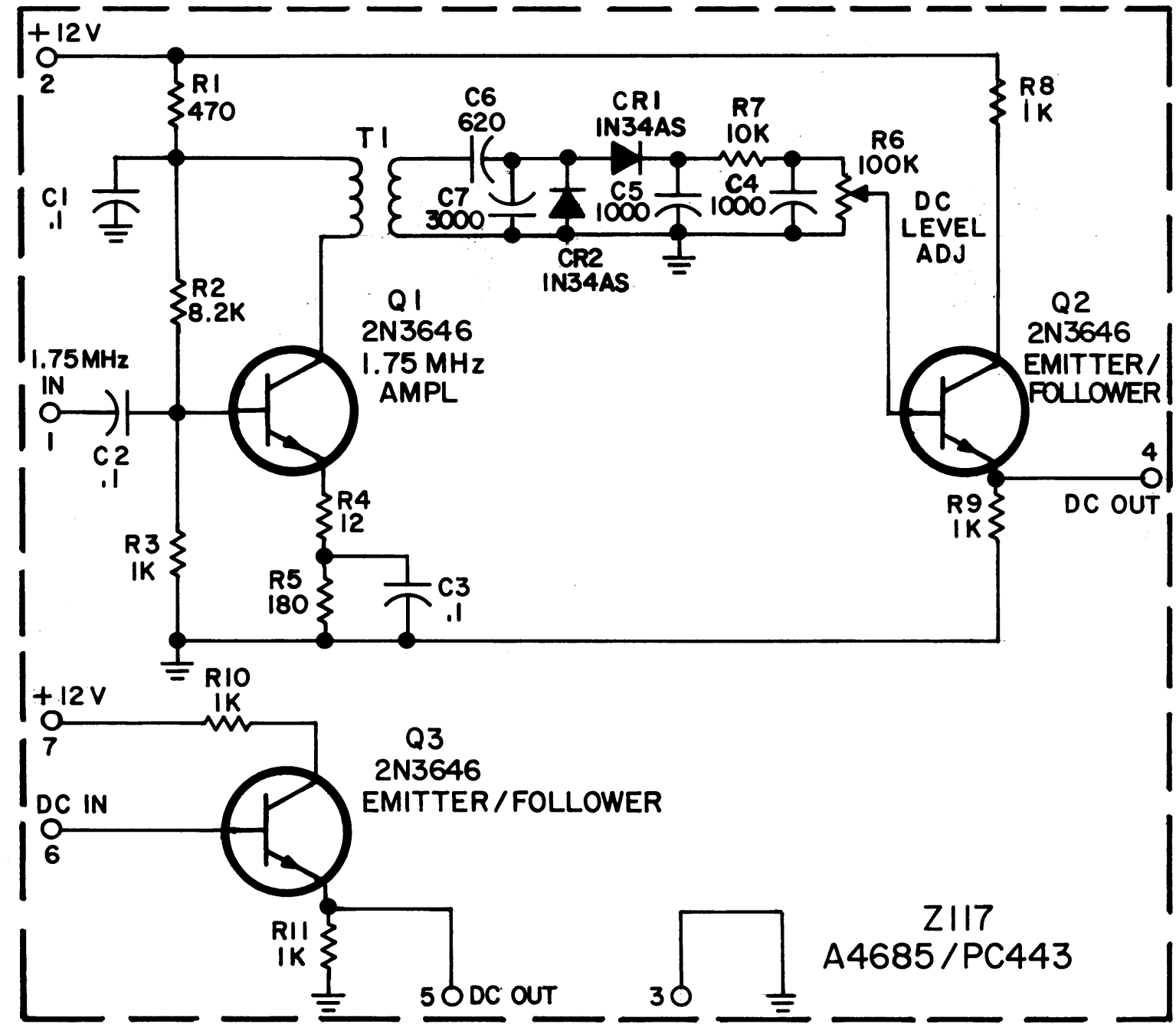


REVISIONS						
ZONE	LTR	DESCRIPTION	DATE	E.M.N.NO	DRAFT	CHKD APPD
	X	EXPERIMENTAL RELEASE	12-15-67	-	HCA	[Signature]
	X1	UPDATED	12-12-67		G.D.L.	[Signature]
	Ø	ORIG. RELEASE FOR PROD.	12-29-67		R.G.	[Signature]



**UNLESS OTHERWISE SPECIFIED**

- 1- ALL RESISTANCE VALUES ARE IN OHMS, 1/4 W.
- 2- ALL WHOLE NUMBER CAPACITANCE VALUES ARE IN PICOFARADS.
- ALL DECIMAL NUMBER VALUES IN MICROFARADS.

LAST SYMBOLS
C7
CR2
Q3
R11
T1

SYMBOL SERIES 100

1	CHG( )4	A4685
QTY / UNIT	MODEL USED ON	ASS'Y NO.
APPLICATION		
CODE		

**NOTICE TO PERSONS RECEIVING THIS DRAWING**  
 THE TECHNICAL MATERIEL CORPORATION claims proprietary right in the material disclosed hereon. This drawing is issued in confidence for engineering information only and may not be reproduced or used to manufacture anything shown hereon without permission from THE TECHNICAL MATERIEL CORPORATION to the user. This drawing is loaned for mutual assistance and is subject to recall at any time.

UNLESS OTHERWISE SPECIFIED DIMENSIONS ARE IN INCHES AND INCLUDE CHEMICALLY APPLIED OR PLATED FINISHES

DECIMALS: .X ± .05, .XX ± .01, .XXX ± .005  
 FRACTIONS: 1/64  
 TOLS. ANGLES: 0° - 30'

MATERIAL

FINISH

REQ'D	ITEM	PART NUMBER	DESCRIPTION	SYM.
O- POSE LIST OF MATERIAL				
FINAL APPROVAL [Signature] DATE 12-29-67				
MECH. DES. DATE				
ELECT. DES. [Signature] DATE 12-29-67				
CHECKED [Signature] DATE 12-29-67				
DRAWN H. AUSTIN DATE 12-15-67				
THE TECHNICAL MATERIEL CORP. MAMARONECK, NEW YORK				
DIAGRAM, SCHEMATIC SERVO SENSOR				
SIZE	CODE IDENT. NO.	DWG NO.	ISSUE	
B	82679	CK1462	Ø	
SCALE	SHEET		OF	