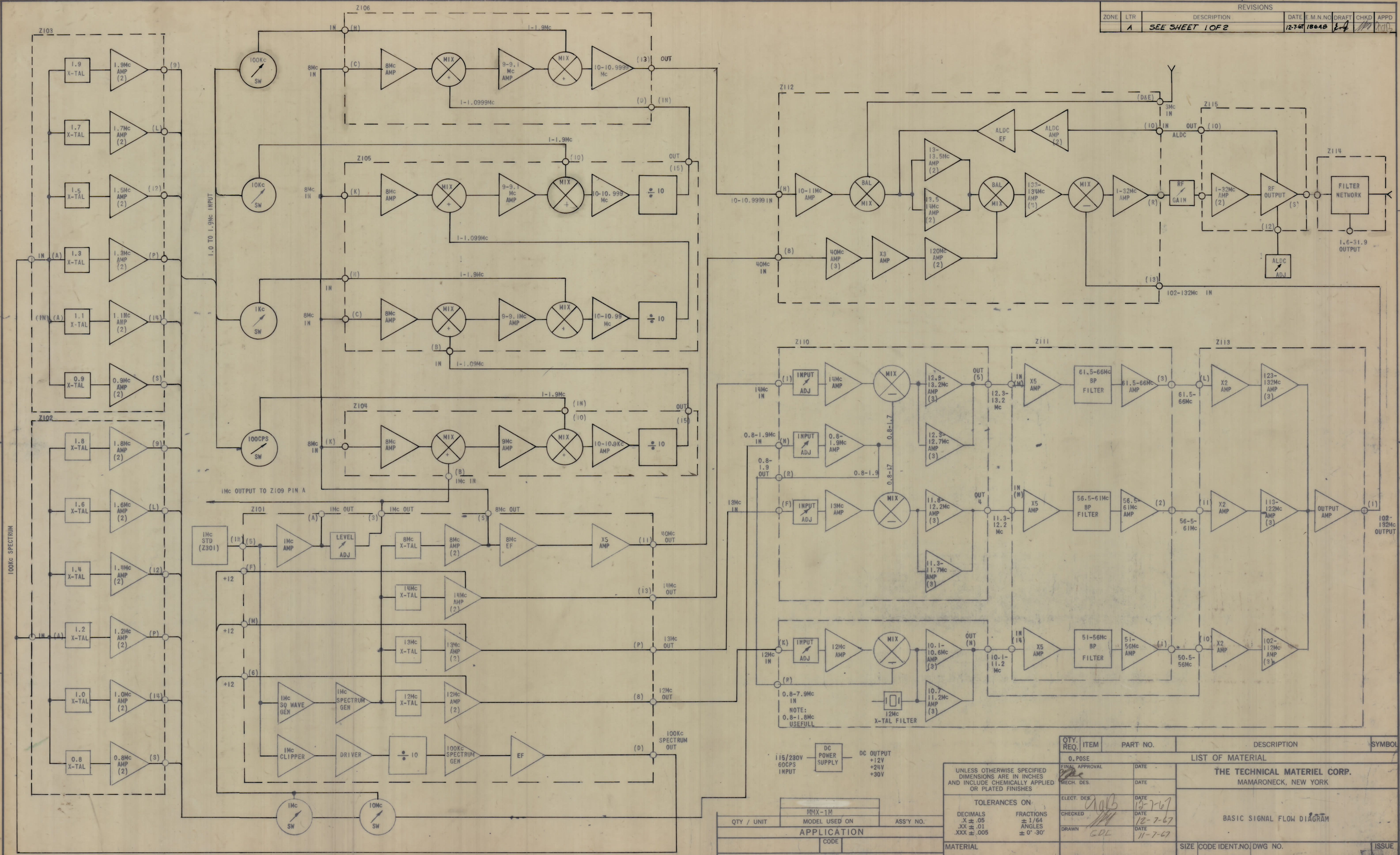


ZONE		LTR		DESCRIPTION	DATE	E.M.N. NO.	DRAFT	CHKD	APPD
A		A		SEE SHEET 1 OF 2	12-7-67	18648			



QTY. REQ.	ITEM	PART NO.	DESCRIPTION	SYMBOL
LIST OF MATERIAL				
THE TECHNICAL MATERIEL CORP. MAMARONECK, NEW YORK				
BASIC SIGNAL FLOW DIAGRAM				
SIZE		CODE	IDENT. NO.	DWG. NO.
D		82679	CK1429	A
SCALE		SHEET 2 OF 2		

QTY / UNIT	MODEL USED ON	ASS'Y NO.
	MMX-1M	
APPLICATION		
CODE		
MATERIAL		
FINISH		

NOTICE TO PERSONS RECEIVING THIS DRAWING  
 THE TECHNICAL MATERIEL CORPORATION claims proprietary right in the material disclosed herein. This drawing is issued in confidence for engineering information only and may not be reproduced or used to manufacture anything shown herein without permission from THE TECHNICAL MATERIEL CORPORATION to the user. This drawing is loaned for mutual assistance and is subject to recall at any time.