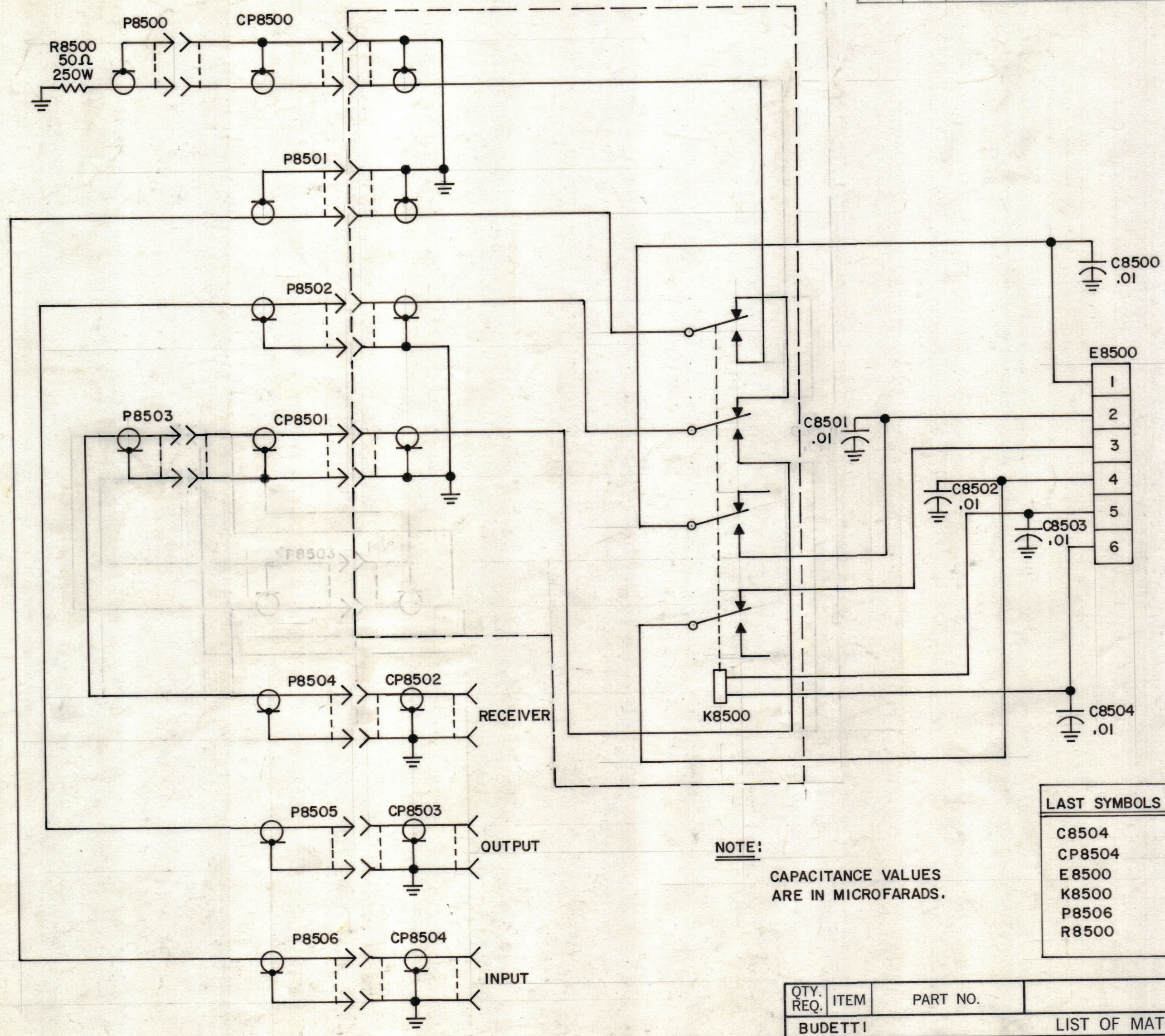


REVISIONS						
ZONE	LTR	DESCRIPTION	DATE	E.M.N.NO	DRAFT	CHKD APPD
	X1	REVISED & REDRAWN (WAS "2" SIZE)	12-28-67	X1	HLD	
	X2	REVISED & UPDATED	1-9-67	X2	G.D.H.	
	Ø	ORIG. RELEASE FOR PROD.	5-1-68	Ø	R.G.	



NOTE:
CAPACITANCE VALUES
ARE IN MICROFARADS.

LAST SYMBOLS	
C8504	
CP8504	
E8500	
K8500	
P8506	
R8500	

I	TTA-1	ASS'Y NO.
QTY / UNIT	MODEL USED ON	
APPLICATION		
	CODE	
<small>NOTICE TO PERSONS RECEIVING THIS DRAWING</small> <small>THE TECHNICAL MATERIEL CORPORATION claims proprietary right in the material disclosed hereon. Drawing is issued in confidence for engineering information only and may not be reproduced or used for manufacture of anything shown hereon without permission from THE TECHNICAL MATERIEL CORPORATION. This drawing is loaned for mutual assistance and is subject to recall at any time.</small>		

UNLESS OTHERWISE SPECIFIED DIMENSIONS ARE IN INCHES AND INCLUDE CHEMICALLY APPLIED OR PLATED FINISHES	
TOLERANCES ON	
DECIMALS	FRACTIONS
.X ± .05	± 1/64
.XX ± .01	ANGLES
.XXX ± .005	± 0° -30'
MATERIAL	
FINISH	

QTY. REQ.	ITEM	PART NO.	DESCRIPTION	SYMBOL
BUDETT I LIST OF MATERIAL SK3291-002				
FINAL APPROVAL: <i>[Signature]</i> DATE: <i>[Date]</i> MECH. DES.: <i>[Signature]</i> DATE: 4-30-68 ELECT. DES.: <i>[Signature]</i> DATE: 4-30-68 CHECKED: <i>[Signature]</i> DATE: 4-30-68 DRAWN: <i>[Signature]</i> DATE: 12-28-67				
THE TECHNICAL MATERIEL CORP. MAMARONECK, NEW YORK				
DIAGRAM, SCHEMATIC				
SIZE	CODE IDENT. NO.	DWG. NO.	ISSUE	
C	82679	CK1419	Ø	
SCALE		SHEET	OF	
		1		