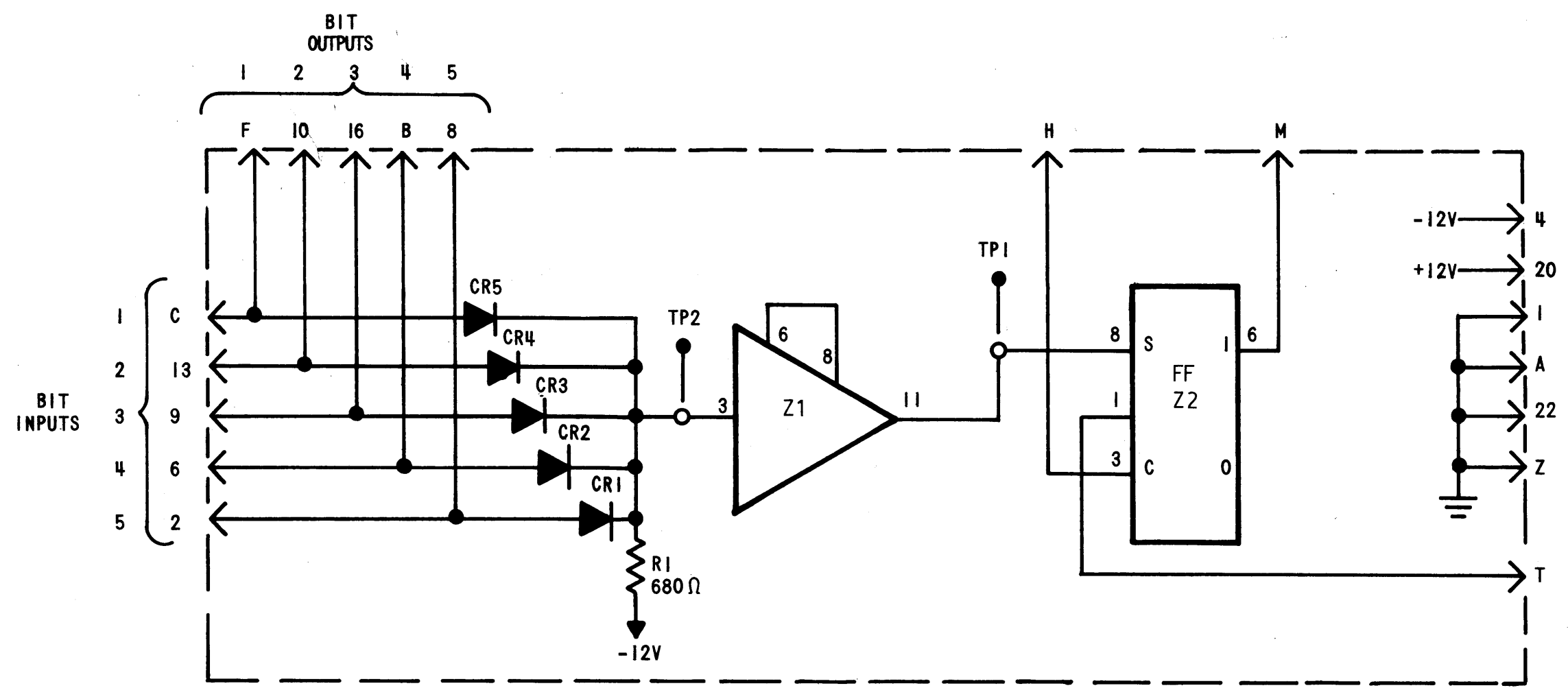


| REVISIONS | | | | | | |
|-----------|-----|---------------------------------|---------|----------|-------|-----------|
| ZONE | LTR | DESCRIPTION | DATE | E.M.N.NO | DRAFT | CHKD APPD |
| | X2 | REVISED & REDRAWN | 4/14/69 | | CV | |
| | X3 | REVISED AND UPDATED | 5/14/69 | | CV | |
| | Ø | ORIGINAL RELEASE FOR PRODUCTION | 5.19/69 | # | GE | |



NOTES:

- 1- ALL DIODES ARE TYPE 1N914.
- 2- PARTIAL REFERENCE DESIGNATIONS ARE SHOWN; FOR COMPLETE DESIGNATION, PREFIX WITH UNIT NUMBER AND SUB-ASSEMBLY DESIGNATION(S) AS APPLICABLE.

| MODULE VOLTAGE & GND CHART | | | |
|----------------------------|----------------|-------|-------|
| SYMBOL | PIN CONNECTION | | |
| | +12V | -12V | GND |
| Z1 | 10 | 2 & 9 | 4 & 5 |
| Z2 | 10 | 2 | 5 |

| LAST SYMBOL | MISSING SYMBOL |
|-------------|----------------|
| CR5 | |
| R1 | |
| TP2 | |
| Z2 | |

5-38

| | | |
|---|---------------|-----------|
| 1 | RTPH- () | A4598 |
| QTY / UNIT | MODEL USED ON | ASS'Y NO. |
| APPLICATION | | |
| CODE | | |
| <p>NOTICE TO PERSONS RECEIVING THIS DRAWING THE TECHNICAL MATERIEL CORPORATION claims proprietary right in the material disclosed hereon. This drawing is issued in confidence for engineering information only and may not be reproduced or used to manufacture anything shown hereon without permission from THE TECHNICAL MATERIEL CORPORATION to the user. This drawing is loaned for mutual assistance and is subject to recall at any time.</p> | | |

| | |
|--|--|
| UNLESS OTHERWISE SPECIFIED DIMENSIONS ARE IN INCHES AND INCLUDE CHEMICALLY APPLIED OR PLATED FINISHES. | |
| DECIMALS .X ± .05 .XX ± .01 .XXX ± .005 | FRACTIONS 1/64 ANGLES 0° -30' |
| MATERIAL | |
| FINISH | |

| REQ'D | ITEM | PART NUMBER | DESCRIPTION | SYM. |
|--|-----------------|-------------|-------------|------|
| S. DEMARCO LIST OF MATERIAL | | | | |
| THE TECHNICAL MATERIEL CORP. MAMARONECK, NEW YORK | | | | |
| DIAGRAM, SCHEMATIC GATING CIRCUIT | | | | |
| SIZE | CODE IDENT. NO. | DWG NO. | ISSUE | |
| B | 82679 | CK 1404 | Ø | |
| SCALE | SHEET | | OF | |