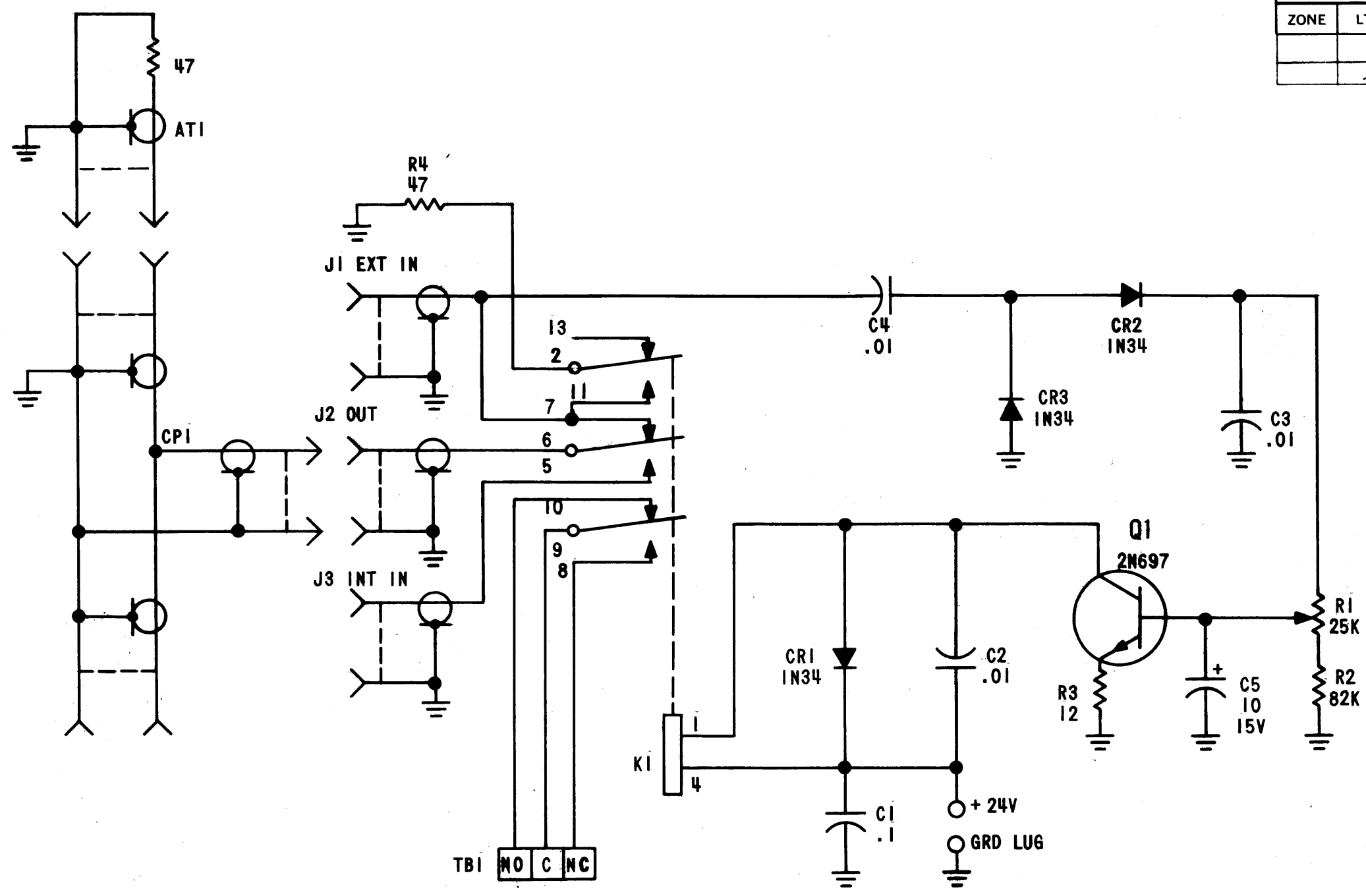


REVISIONS						
ZONE	LTR	DESCRIPTION	DATE	E.M.N.NO	DRAFT	CHKD APPD
	X	EXPERIMENTAL RELEASE	5/26/67		LAK	<i>[Signature]</i>
	Ø	ORIG. RELEASE FOR PROD.	9-8-67	Ø	RG	<i>[Signature]</i>



LAST SYMBOLS	MISSING SYMBOLS
ATI	KI
C5	Q1
CR3	R4
CPI	TBI
J3	

UNLESS OTHERWISE SPECIFIED

1. ALL CAPACITANCE VALUES ARE IN MICROFARADS.
2. ALL RESISTANCE VALUES ARE IN OHMS 1/2 W
3. RELAY KI SHOWN ENERGIZED.

	KIT-215A	
	CSS-4	AX619-2
QTY / UNIT	MODEL USED ON	ASS'Y NO.
APPLICATION		
	CODE	

NOTICE TO PERSONS RECEIVING THIS DRAWING
 THE TECHNICAL MATERIEL CORPORATION claims proprietary right in the material disclosed hereon. This drawing is issued in confidence for engineering information only and may not be reproduced or used to manufacture anything shown hereon without permission from THE TECHNICAL MATERIEL CORPORATION to the user. This drawing is loaned for mutual assistance and is subject to recall at any time.

UNLESS OTHERWISE SPECIFIED DIMENSIONS ARE IN INCHES AND INCLUDE CHEMICALLY APPLIED OR PLATED FINISHES	
DECIMALS	FRACTIONS
.X ± .05	1/64
.XX ± .01	TOLS. ANGLES
.XXX ± .005	0° .30'
MATERIAL	
FINISH	

REQ'D	ITEM	PART NUMBER	DESCRIPTION	SYM.
F. BUDETTI LIST OF MATERIAL				
THE TECHNICAL MATERIEL CORP. MAMARONECK, NEW YORK				
DIAGRAM. SCHEMATIC				
1:Mc AUTOMATIC SWITCHOVER				
SIZE	CODE IDENT. NO.	DWG NO.	ISSUE	
B	82679	CK 1385	Ø	
SCALE		SHEET OF		