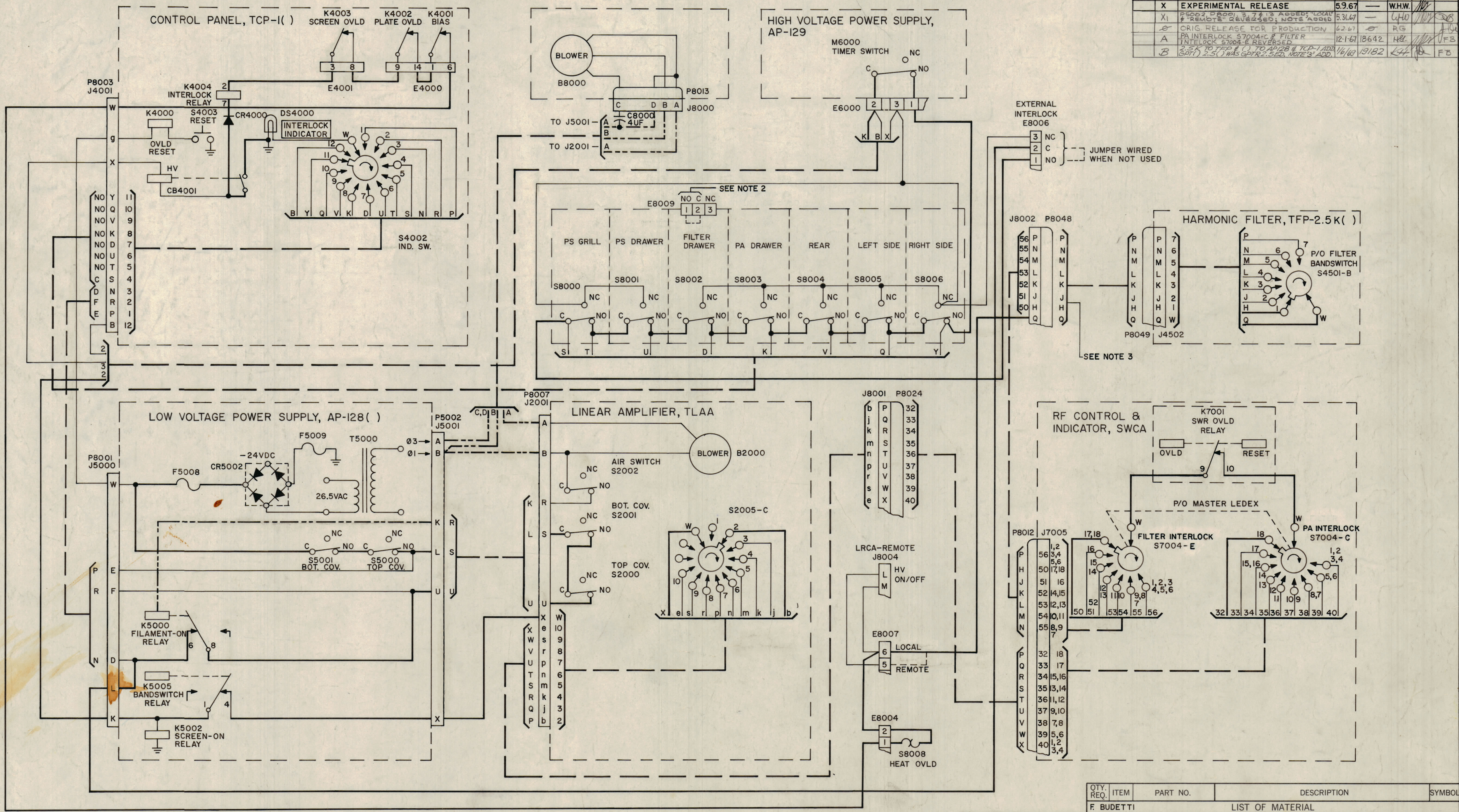


|      |     | REVISIONS   |         |          |       |      |      |
|------|-----|---|---------|----------|-------|------|------|
| ZONE | LTR | DESCRIPTION   | DATE    | E.M.N.NO | DRAFT | CHKD | APPD |
| X    |     | EXPERIMENTAL RELEASE  | 5.9.67  |          | WHW   |      |      |
| XI   |     | P5002, P8001, S7004, S7005, S7006, S7007, S7008, S7009, S7010, S7011, S7012, S7013, S7014, S7015, S7016, S7017, S7018, S7019, S7020, S7021, S7022, S7023, S7024, S7025, S7026, S7027, S7028, S7029, S7030, S7031, S7032, S7033, S7034, S7035, S7036, S7037, S7038, S7039, S7040, S7041, S7042, S7043, S7044, S7045, S7046, S7047, S7048, S7049, S7050, S7051, S7052, S7053, S7054, S7055, S7056, S7057, S7058, S7059, S7060, S7061, S7062, S7063, S7064, S7065, S7066, S7067, S7068, S7069, S7070, S7071, S7072, S7073, S7074, S7075, S7076, S7077, S7078, S7079, S7080, S7081, S7082, S7083, S7084, S7085, S7086, S7087, S7088, S7089, S7090, S7091, S7092, S7093, S7094, S7095, S7096, S7097, S7098, S7099, S7100, S7101, S7102, S7103, S7104, S7105, S7106, S7107, S7108, S7109, S7110, S7111, S7112, S7113, S7114, S7115, S7116, S7117, S7118, S7119, S7120, S7121, S7122, S7123, S7124, S7125, S7126, S7127, S7128, S7129, S7130, S7131, S7132, S7133, S7134, S7135, S7136, S7137, S7138, S7139, S7140, S7141, S7142, S7143, S7144, S7145, S7146, S7147, S7148, S7149, S7150, S7151, S7152, S7153, S7154, S7155, S7156, S7157, S7158, S7159, S7160, S7161, S7162, S7163, S7164, S7165, S7166, S7167, S7168, S7169, S7170, S7171, S7172, S7173, S7174, S7175, S7176, S7177, S7178, S7179, S7180, S7181, S7182, S7183, S7184, S7185, S7186, S7187, S7188, S7189, S7190, S7191, S7192, S7193, S7194, S7195, S7196, S7197, S7198, S7199, S7200, S7201, S7202, S7203, S7204, S7205, S7206, S7207, S7208, S7209, S7210, S7211, S7212, S7213, S7214, S7215, S7216, S7217, S7218, S7219, S7220, S7221, S7222, S7223, S7224, S7225, S7226, S7227, S7228, S7229, S7230, S7231, S7232, S7233, S7234, S7235, S7236, S7237, S7238, S7239, S7240, S7241, S7242, S7243, S7244, S7245, S7246, S7247, S7248, S7249, S7250, S7251, S7252, S7253, S7254, S7255, S7256, S7257, S7258, S7259, S7260, S7261, S7262, S7263, S7264, S7265, S7266, S7267, S7268, S7269, S7270, S7271, S7272, S7273, S7274, S7275, S7276, S7277, S7278, S7279, S7280, S7281, S7282, S7283, S7284, S7285, S7286, S7287, S7288, S7289, S7290, S7291, S7292, S7293, S7294, S7295, S7296, S7297, S7298, S7299, S7300, S7301, S7302, S7303, S7304, S7305, S7306, S7307, S7308, S7309, S7310, S7311, S7312, S7313, S7314, S7315, S7316, S7317, S7318, S7319, S7320, S7321, S7322, S7323, S7324, S7325, S7326, S7327, S7328, S7329, S7330, S7331, S7332, S7333, S7334, S7335, S7336, S7337, S7338, S7339, S7340, S7341, S7342, S7343, S7344, S7345, S7346, S7347, S7348, S7349, S7350, S7351, S7352, S7353, S7354, S7355, S7356, S7357, S7358, S7359, S7360, S7361, S7362, S7363, S7364, S7365, S7366, S7367, S7368, S7369, S7370, S7371, S7372, S7373, S7374, S7375, S7376, S7377, S7378, S7379, S7380, S7381, S7382, S7383, S7384, S7385, S7386, S7387, S7388, S7389, S7390, S7391, S7392, S7393, S7394, S7395, S7396, S7397, S7398, S7399, S7400, S7401, S7402, S7403, S7404, S7405, S7406, S7407, S7408, S7409, S7410, S7411, S7412, S7413, S7414, S7415, S7416, S7417, S7418, S7419, S7420, S7421, S7422, S7423, S7424, S7425, S7426, S7427, S7428, S7429, S7430, S7431, S7432, S7433, S7434, S7435, S7436, S7437, S7438, S7439, S7440, S7441, S7442, S7443, S7444, S7445, S7446, S7447, S7448, S7449, S7450, S7451, S7452, S7453, S7454, S7455, S7456, S7457, S7458, S7459, S7460, S7461, S7462, S7463, S7464, S7465, S7466, S7467, S7468, S7469, S7470, S7471, S7472, S7473, S7474, S7475, S7476, S7477, S7478, S7479, S7480, S7481, S7482, S7483, S7484, S7485, S7486, S7487, S7488, S7489, S7490, S7491, S7492, S7493, S7494, S7495, S7496, S7497, S7498, S7499, S7500, S7501, S7502, S7503, S7504, S7505, S7506, S7507, S7508, S7509, S7510, S7511, S7512, S7513, S7514, S7515, S7516, S7517, S7518, S7519, S7520, S7521, S7522, S7523, S7524, S7525, S7526, S7527, S7528, S7529, S7530, S7531, S7532, S7533, S7534, S7535, S7536, S7537, S7538, S7539, S7540, S7541, S7542, S7543, S7544, S7545, S7546, S7547, S7548, S7549, S7550, S7551, S7552, S7553, S7554, S7555, S7556, S7557, S7558, S7559, S7560, S7561, S7562, S7563, S7564, S7565, S7566, S7567, S7568, S7569, S7570, S7571, S7572, S7573, S7574, S7575, S7576, S7577, S7578, S7579, S7580, S7581, S7582, S7583, S7584, S7585, S7586, S7587, S7588, S7589, S7590, S7591, S7592, S7593, S7594, S7595, S7596, S7597, S7598, S7599, S7600, S7601, S7602, S7603, S7604, S7605, S7606, S7607, S7608, S7609, S7610, S7611, S7612, S7613, S7614, S7615, S7616, S7617, S7618, S7619, S7620, S7621, S7622, S7623, S7624, S7625, S7626, S7627, S7628, S7629, S7630, S7631, S7632, S7633, S7634, S7635, S7636, S7637, S7638, S7639, S7640, S7641, S7642, S7643, S7644, S7645, S7646, S7647, S7648, S7649, S7650, S7651, S7652, S7653, S7654, S7655, S7656, S7657, S7658, S7659, S7660, S7661, S7662, S7663, S7664, S7665, S7666, S7667, S7668, S7669, S7670, S7671, S7672, S7673, S7674, S7675, S7676, S7677, S7678, S7679, S7680, S7681, S7682, S7683, S7684, S7685, S7686, S7687, S7688, S7689, S7690, S7691, S7692, S7693, S7694, S7695, S7696, S7697, S7698, S7699, S7700, S7701, S7702, S7703, S7704, S7705, S7706, S7707, S7708, S7709, S7710, S7711, S7712, S7713, S7714, S7715, S7716, S7717, S7718, S7719, S7720, S7721, S7722, S7723, S7724, S7725, S7726, S7727, S7728, S7729, S7730, S7731, S7732, S7733, S7734, S7735, S7736, S7737, S7738, S7739, S7740, S7741, S7742, S7743, S7744, S7745, S7746, S7747, S7748, S7749, S7750, S7751, S7752, S7753, S7754, S7755, S7756, S7757, S7758, S7759, S7760, S7761, S7762, S7763, S7764, S7765, S7766, S7767, S7768, S7769, S7770, S7771, S7772, S7773, S7774, S7775, S7776, S7777, S7778, S7779, S7780, S7781, S7782, S7783, S7784, S7785, S7786, S7787, S7788, S7789, S7790, S7791, S7792, S7793, S7794, S7795, S7796, S7797, S7798, S7799, S7800, S7801, S7802, S7803, S7804, S7805, S7806, S7807, S7808, S7809, S7810, S7811, S7812, S7813, S7814, S7815, S7816, S7817, S7818, S7819, S7820, S7821, S7822, S7823, S7824, S7825, S7826, S7827, S7828, S7829, S7830, S7831, S7832, S7833, S7834, S7835, S7836, S7837, S7838, S7839, S7840, S7841, S7842, S7843, S7844, S7845, S7846, S7847, S7848, S7849, S7850, S7851, S7852, S7853, S7854, S7855, S7856, S7857, S7858, S7859, S7860, S7861, S7862, S7863, S7864, S7865, S7866, S7867, S7868, S7869, S7870, S7871, S7872, S7873, S7874, S7875, S7876, S7877, S7878, S7879, S7880, S7881, S7882, S7883, S7884, S7885, S7886, S7887, S7888, S7889, S7890, S7891, S7892, S7893, S7894, S7895, S7896, S7897, S7898, S7899, S7900, S7901, S7902, S7903, S7904, S7905, S7906, S7907, S7908, S7909, S7910, S7911, S7912, S7913, S7914, S7915, S7916, S7917, S7918, S7919, S7920, S7921, S7922, S7923, S7924, S7925, S7926, S7927, S7928, S7929, S7930, S7931, S7932, S7933, S7934, S7935, S7936, S7937, S7938, S7939, S7940, S7941, S7942, S7943, S7944, S7945, S7946, S7947, S7948, S7949, S7950, S7951, S7952, S7953, S7954, S7955, S7956, S7957, S7958, S7959, S7960, S7961, S7962, S7963, S7964, S7965, S7966, S7967, S7968, S7969, S7970, S7971, S7972, S7973, S7974, S7975, S7976, S7977, S7978, S7979, S7980, S7981, S7982, S7983, S7984, S7985, S7986, S7987, S7988, S7989, S7990, S7991, S7992, S7993, S7994, S7995, S7996, S7997, S7998, S7999, S8000 |         |          |       |      |      |
| A    |     | CRIG. RELEASE FOR PRODUCTION  | 6.2.67  |          | RG    |      |      |
| A    |     | PA INTERLOCK S7004-E REVERSED   | 12-1-67 | 18642    | HZ    |      | JFB  |
| B    |     | 2.5K TO TFP # (1) TO AP-128 & TCP-1 ADD GPT# 2.5( ) WAS GPT# 2.5( )   | 1/6/69  | 19182    | K4    |      | FB   |



**NOTE:**  
 1 ALL CIRCUITRY SHOWN IN OPERATING POWER ON CONDITION.  
 2 WHEN FILTER NOT SUPPLIED E8009 REPLACES S8002, JUMPED AS SHOWN.  
 3 WHEN TFP NOT USED JUMPER J8002 PINS P,N,M,L,K,J,H,Q TOGETHER

|                 |               |           |
|-----------------|---------------|-----------|
| GPT ( ) 2.5 ( ) |               |           |
| QTY / UNIT      | MODEL USED ON | ASS'Y NO. |
| APPLICATION     |               |           |
| CODE            |               |           |
| MATERIAL        |               |           |
| FINISH          |               |           |

|                |      |          |                              |                           |
|----------------|------|----------|------------------------------|---------------------------|
| QTY. REQ.      | ITEM | PART NO. | DESCRIPTION                  | SYMBOL                    |
| F BUDETTI      |      |          |                              |                           |
| FINAL APPROVAL |      | DATE     | LIST OF MATERIAL             |                           |
| MECH. DES.     |      | DATE     | THE TECHNICAL MATERIEL CORP. |                           |
| ELECT. DES.    |      | DATE     | MAMARONECK, NEW YORK         |                           |
| CHECKED        |      | DATE     | DIAGRAM, SCHEMATIC           |                           |
| DRAWN          |      | DATE     | (SYSTEM INTERLOCKS)          |                           |
| MATERIAL       |      | DATE     | SIZE                         | CODE IDENT. NO. / DWG NO. |
| FINISH         |      | DATE     | D                            | 82679 / CKI378            |
|                |      |          | SCALE                        | SHEET OF                  |

|   |            |
|---|------------|
| UNLESS OTHERWISE SPECIFIED DIMENSIONS ARE IN INCHES AND INCLUDE CHEMICALLY APPLIED OR PLATED FINISHES |            |
| TOLERANCES ON   |            |
| DECIMALS  | FRACTIONS  |
| .X ± .05  | ± 1/64     |
| .XX ± .01   | ANGLES     |
| .XXX ± .005   | ± 0° - 30' |