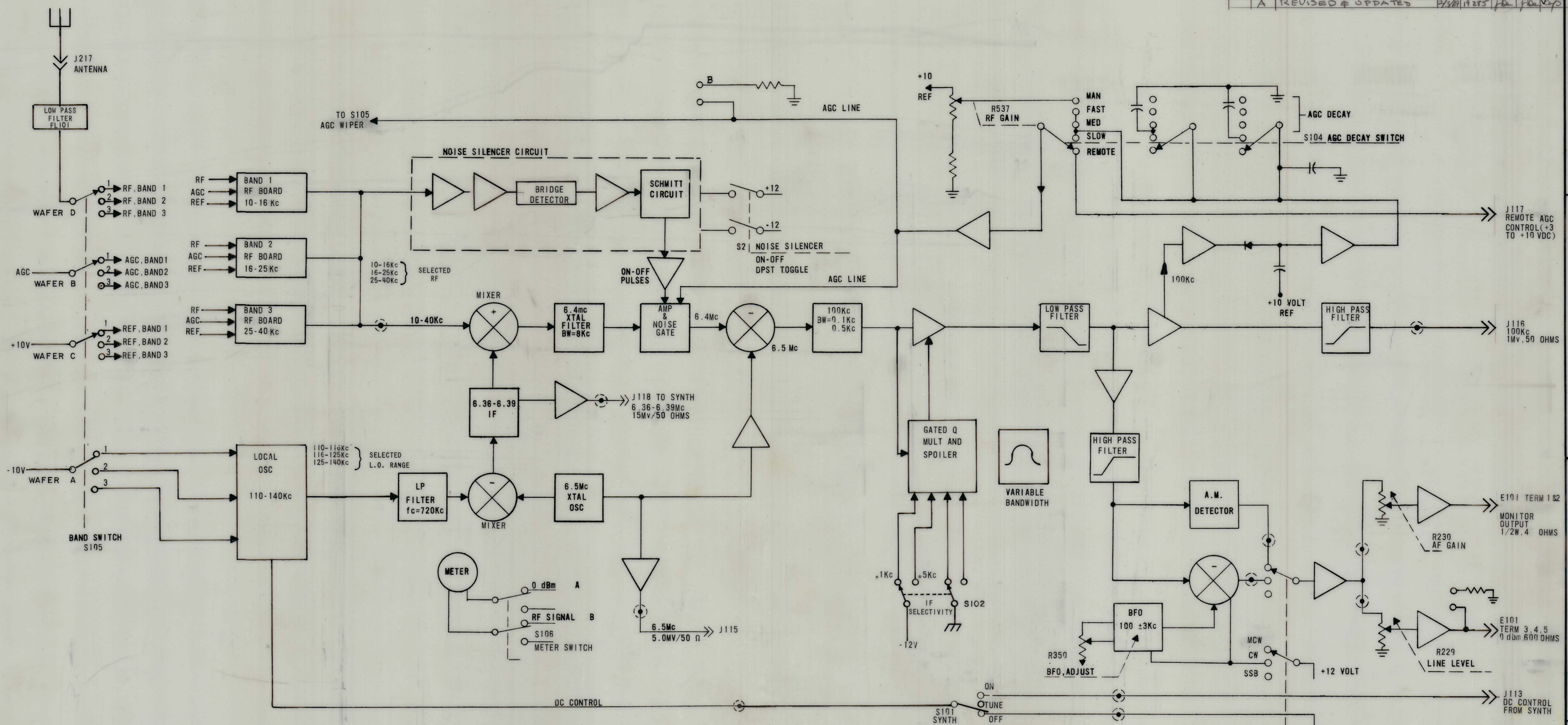


ZONE		LTR		DESCRIPTION	DATE	E.M.N.NO	DRAFT	CHKD	APPD
		X		EXP. RELEASE	5-19-67				
		B		ORIGINAL RELEASE FOR PRODUCTION	1-10-68				
		A		REVISED & UPDATED	2/3/69	19285			



- S1 - DPST TOGGLE (AC POWER SWITCH)
- S2 - DPST TOGGLE
- S3 - DPDT TOGGLE
- S4 - DPDT TOGGLE
- S5 NEED 2 POLE 4 POSITION, USE 2 POLE 5 POSITION (1 WAFER)
- S6 NEED 3 POLE 3 POSITION, USE 3 POLE 3 POSITION (1 WAFER)
- S7 NEED 3 POLE 5 POSITION, USE 4 POLE 5 POSITION (2 WAFERS)
- S8 NEED 7 POLE 5 POSITION, USE 8 POLE 5 POSITION (4 WAFERS)

VLRC-1		
QTY / UNIT	MODEL USED ON	ASSY NO.
APPLICATION		
CODE		
NOTICE TO PERSONS RECEIVING THIS DRAWING		
THE TECHNICAL MATERIEL CORPORATION claims proprietary right in the material disclosed hereon. This drawing is issued in confidence for engineering information only and may not be reproduced or used to manufacture anything shown hereon without permission from THE TECHNICAL MATERIEL CORPORATION to the user. This drawing is loaned for mutual assistance and is subject to recall at any time.		

QTY. REQ.	ITEM	PART NO.	DESCRIPTION	SYMBOL
LIST OF MATERIAL				
UNLESS OTHERWISE SPECIFIED DIMENSIONS ARE IN INCHES AND INCLUDE CHEMICALLY APPLIED OR PLATED FINISHES				
TOLERANCES ON				
DECIMALS		FRACTIONS		
.X ± .05		± 1/64		
.XX ± .01		ANGLES		
.XXX ± .005		± 0° -30'		
FINAL APPROVAL <i>SM</i> DATE 1-10-68				
MECH. DES. DATE				
ELECT. DES. DATE 1-8-68				
CHECKED DATE 8-15-67				
DRAWN DATE 5-19-67				
MATERIAL				
FINISH				
THE TECHNICAL MATERIEL CORP. MAMARONECK, NEW YORK				
DIAGRAM, BLOCK				
SIZE CODE IDENT. NO. DWG. NO. ISSUE				
D 82679 CK1376 A				
SCALE SHEET OF				