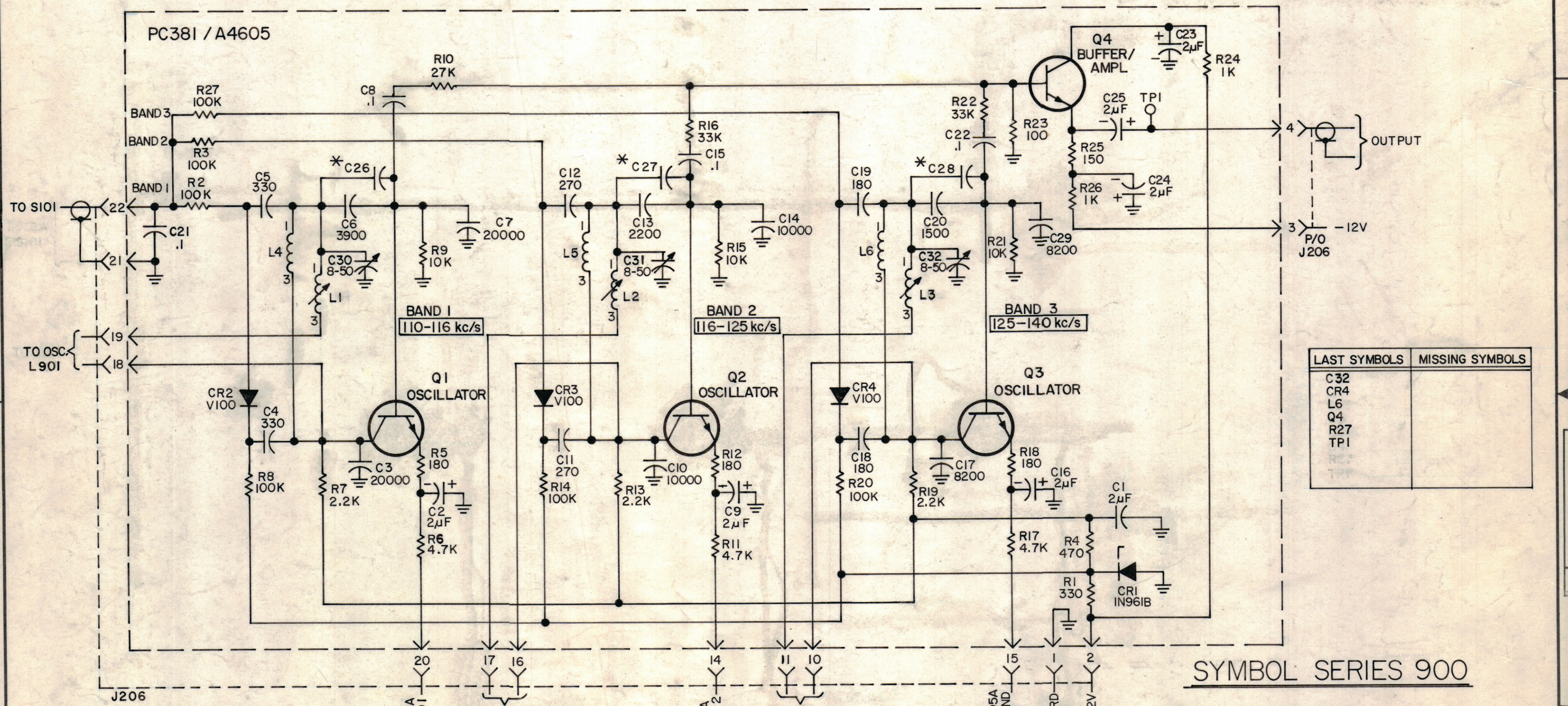


| ASS'Y. NO. | VALUE (SEE NOTE 4) | | | PC BD. NO. |
|------------|--------------------|----------|-----|------------|
| | C26 | C27 | C28 | |
| A4605 | 47 | NOT USED | 128 | PC381 |

| REVISIONS | | | | | | |
|-----------|-----|---------------------------------|---------|----------|-------|-----------|
| ZONE | LTR | DESCRIPTION | DATE | E.M.N.NO | DRAFT | CHKD APPD |
| | X | EXPERIMENTAL RELEASE | 6-28-67 | - | WLD | |
| | X1 | UPDATED | 9-7-67 | - | HCD | |
| | | ORIGINAL RELEASE FOR PRODUCTION | 1-10-68 | | R.G. | |
| | A | UPDATED & REV. | 6-3-68 | 18938 | H.Z. | E.F.M. |
| | B | UPDATED & REV | 1/25/69 | 19285 | H.Z. | EP |

* SEE CHART & NOTE 4.



| LAST SYMBOLS | MISSING SYMBOLS |
|--------------------------------------|-----------------|
| C32 CR4 L6 Q4 R27 TPI | |

SYMBOL SERIES 900

NOTES: UNLESS OTHERWISE SPECIFIED
 1-ALL TRANSISTORS ARE TYPE "2N706".
 2-ALL RESISTANCE VALUES ARE IN OHMS, 1/2 W.
 3-ALL WHOLE NUMBER CAPACITANCE VALUES ARE IN PICOFARADS. ALL DECIMAL VALUES ARE MICROFARADS.

* 4-VALUE SELECTED FOR OPTIMUM PERFORMANCE.

| I | VLRC-I | A4605 |
|-------------|---------------|-----------|
| QTY / UNIT | MODEL USED ON | ASS'Y NO. |
| APPLICATION | | |
| CODE | | |

NOTICE TO PERSONS RECEIVING THIS DRAWING
 THE TECHNICAL MATERIEL CORPORATION claims proprietary right in the material disclosed hereon. This drawing is issued in confidence for engineering information only and may not be reproduced or used to manufacture anything shown hereon without permission from THE TECHNICAL MATERIEL CORPORATION to the user. This drawing is loaned for mutual assistance and is subject to recall at any time.

| QTY. REQ. | ITEM | PART NO. | DESCRIPTION | SYMBOL |
|---|-----------|----------------|-------------|-----------------|
| HOGAN / MARTINENGO LIST OF MATERIAL | | | | |
| UNLESS OTHERWISE SPECIFIED DIMENSIONS ARE IN INCHES AND INCLUDE CHEMICALLY APPLIED OR PLATED FINISHES | | FINAL APPROVAL | DATE | |
| TOLERANCES ON | | MECH. DES. | DATE | |
| DECIMALS | FRACTIONS | ELECT. DES. | DATE | |
| .X ± .05 | ± 1/64 | CHECKED | DATE | |
| .XX ± .01 | ANGLES | DRAWN | DATE | |
| .XXX ± .005 | ± 0° -30' | H. Austin | 6-28-67 | |
| MATERIAL | | | SIZE | CODE IDENT. NO. |
| FINISH | | | C | 82679 |
| | | | DWG NO. | CK1375 |
| | | | ISSUE | B |
| | | | SCALE | SHEET |
| | | | | OF |