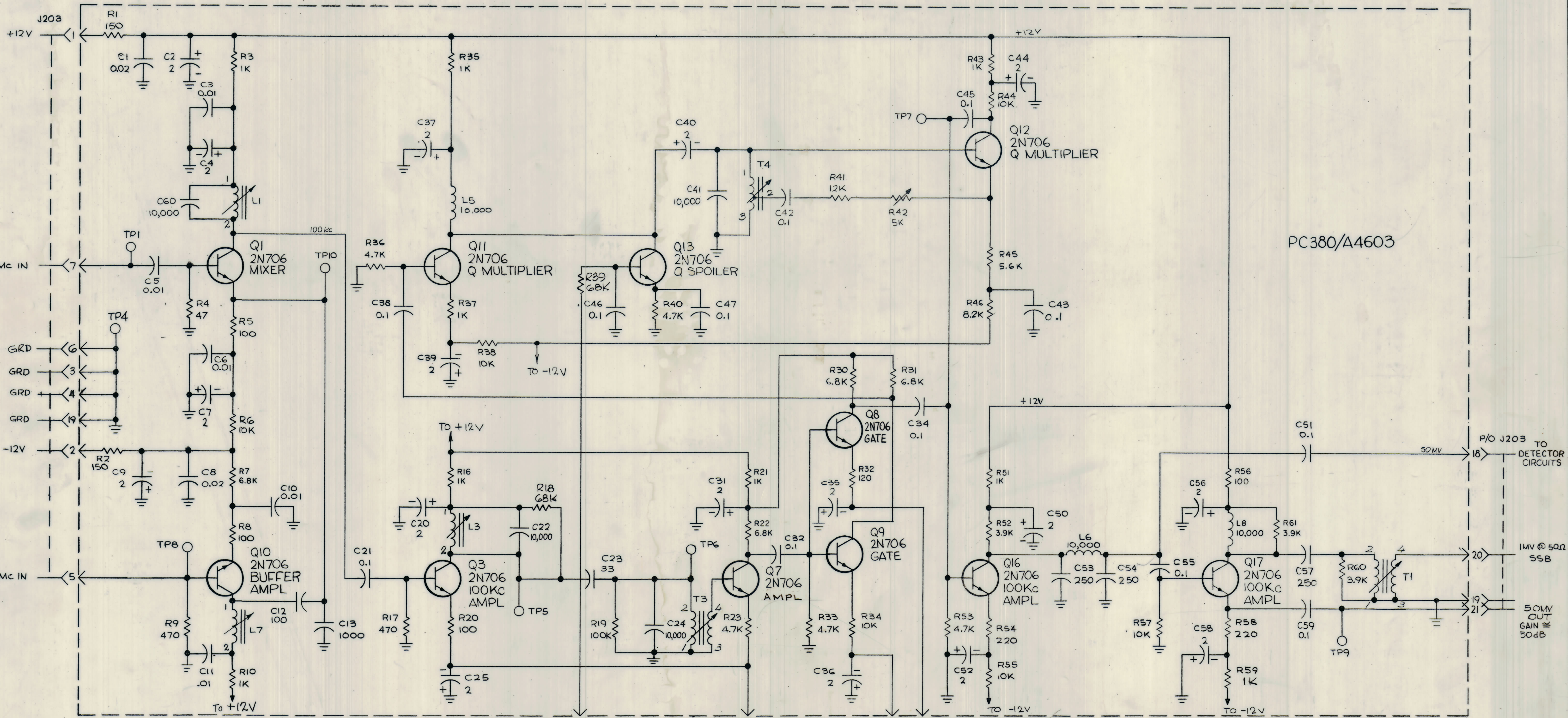


		REVISIONS					
ZONE	LTR	DESCRIPTION	DATE	E.M.N. NO	DRAFT	CHKD	APPD
X		EXPERIMENTAL RELEASE	6.23.67	+		LHO	
Z		ORIGINAL RELEASE FOR PRODUCTION	1.10.68			R.G.	
A		POLARITY SYM FOR C44 REVERSED	5.9.68	18916		HS.	EFM
B		ON T4 & T3 TECH. NOS. BELOC & # ADD. SED SYM. AT TP9 DELE.	11/2/68	19103		HS.	ep
C		REVISED & UPDATED	1/25/69	15285		HS.	ep



PC380/A4603

SYMBOLS	
LAST	MISSING
C60	C14 THRU 19, 26 THRU 29, 30, 33, 48, 49
LB	L 2, 4
Q17	Q 2, 4, 5, 6, 14, 15
RG1	R 11 THRU 15
T4	R 24 THRU 29, R 40, 48, 49, 50
TP10	T 2
	TP 2, 3

- UNLESS OTHERWISE SPECIFIED:
- 1 - ALL RESISTANCE VALUES ARE IN OHMS, 1/2 WATT.
 - 2 - ALL WHOLE NUMBER CAPACITANCE VALUES ARE IN PICO FARADS, EXCEPT POLAR CAPACITORS WHICH ARE MICROFARADS.
 - 3 - ALL DECIMAL CAPACITANCE VALUES ARE IN MICROFARADS
 - 4 - ALL INDUCTANCE VALUE ARE IN MICROHENRIES.

SERIES 400

VLRC-1		
QTY / UNIT	MODEL USED ON	ASSY NO.
	APPLICATION	
	CODE	

UNLESS OTHERWISE SPECIFIED DIMENSIONS ARE IN INCHES AND INCLUDE CHEMICALLY APPLIED OR PLATED FINISHES

TOLERANCES ON

DECIMALS	FRACTIONS
.X ± .05	± 1/64
.XX ± .01	ANGLES
.XXX ± .005	± 0° - 30'

QTY. REQ.	ITEM	PART NO.	DESCRIPTION	SYMBOL
A. MARTENENGO LIST OF MATERIAL				
FINAL APPROVAL		DATE	THE TECHNICAL MATERIEL CORP.	
MECH. DES.		DATE	MAMARONECK, NEW YORK	
ELECT. DES.		DATE	DIAGRAM, SCHEMATIC	
CHECKED		DATE	100Kc IF BOARD	
DRAWN		DATE	FOR VLRC-1 RECEIVER	
MATERIAL				
FINISH				
SIZE	CODE IDENT. NO.	DWG NO.	ISSUE	
D	82679	CK1374	C	
SCALE		SHEET OF		