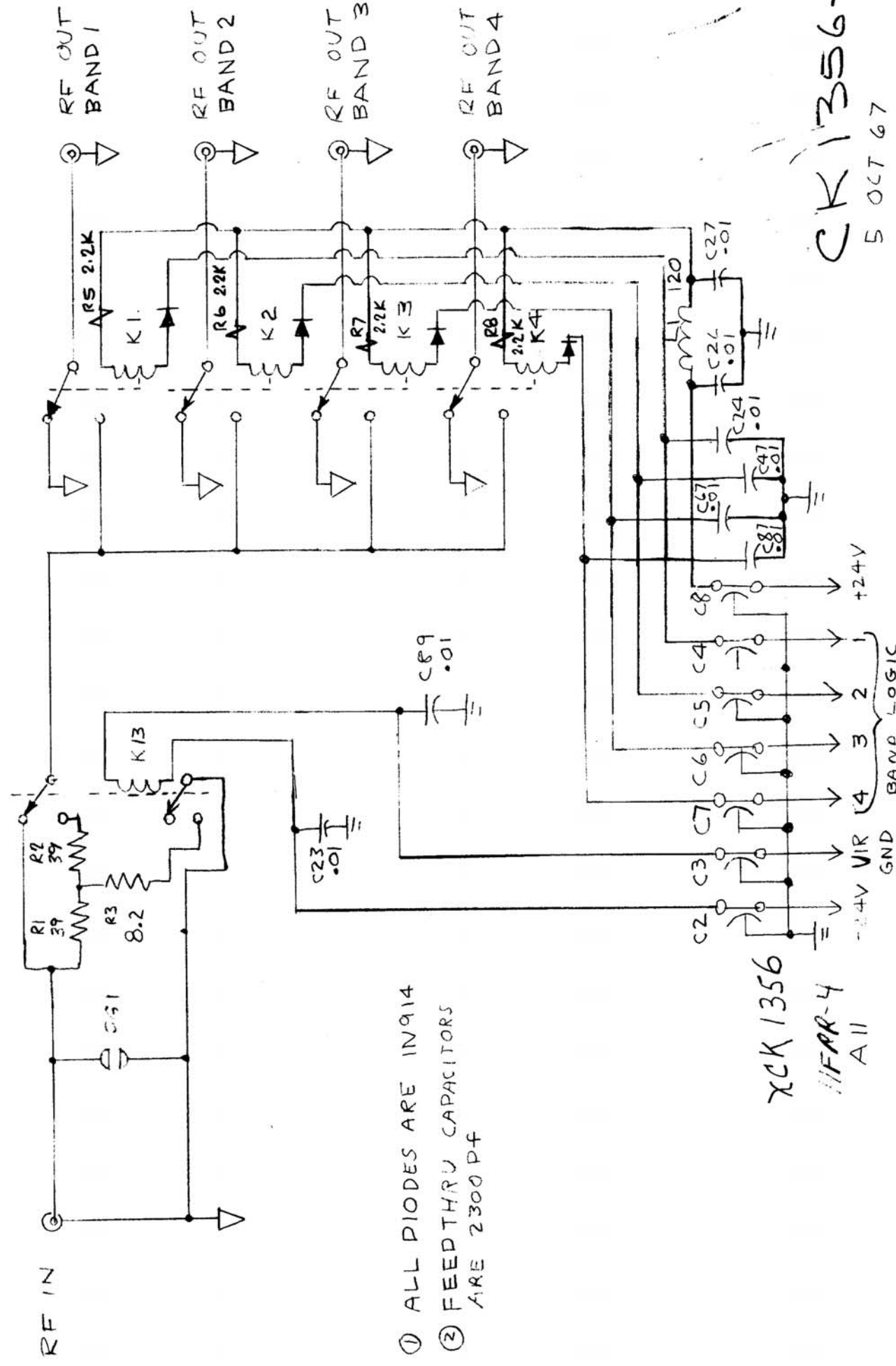


INPUT FILTER AND BAND INPUT INJECTION
AND BAND ROUTING

XI UPDATED 5/20/69



- ① ALL DIODES ARE 1N914
- ② FEEDTHRU CAPACITORS ARE 2300 P-F

XCK 1356
HFR-4
A11

CK 1356-X
5 OCT 67