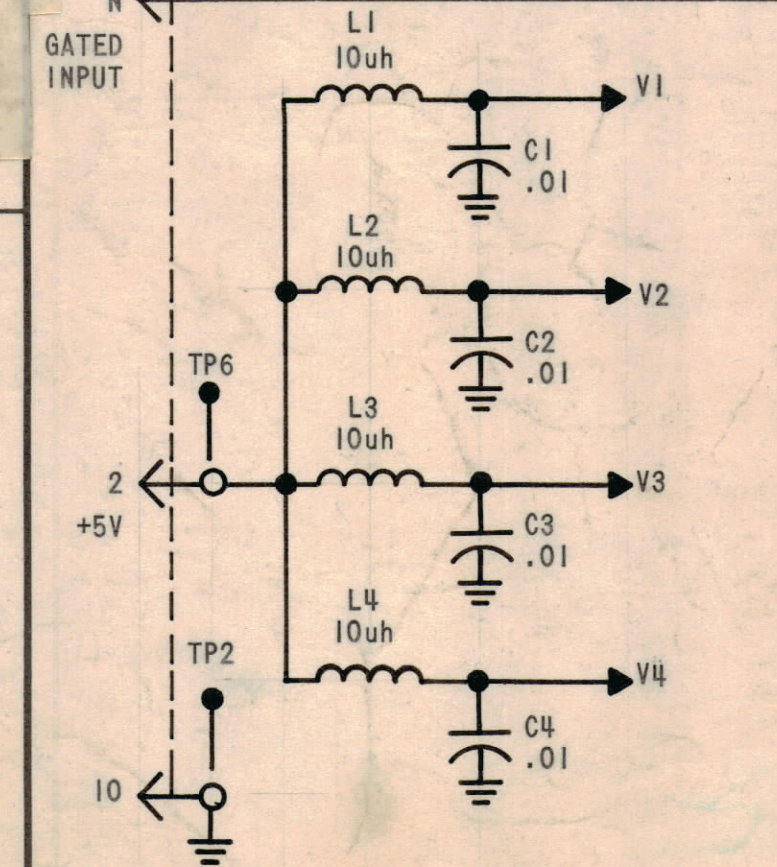
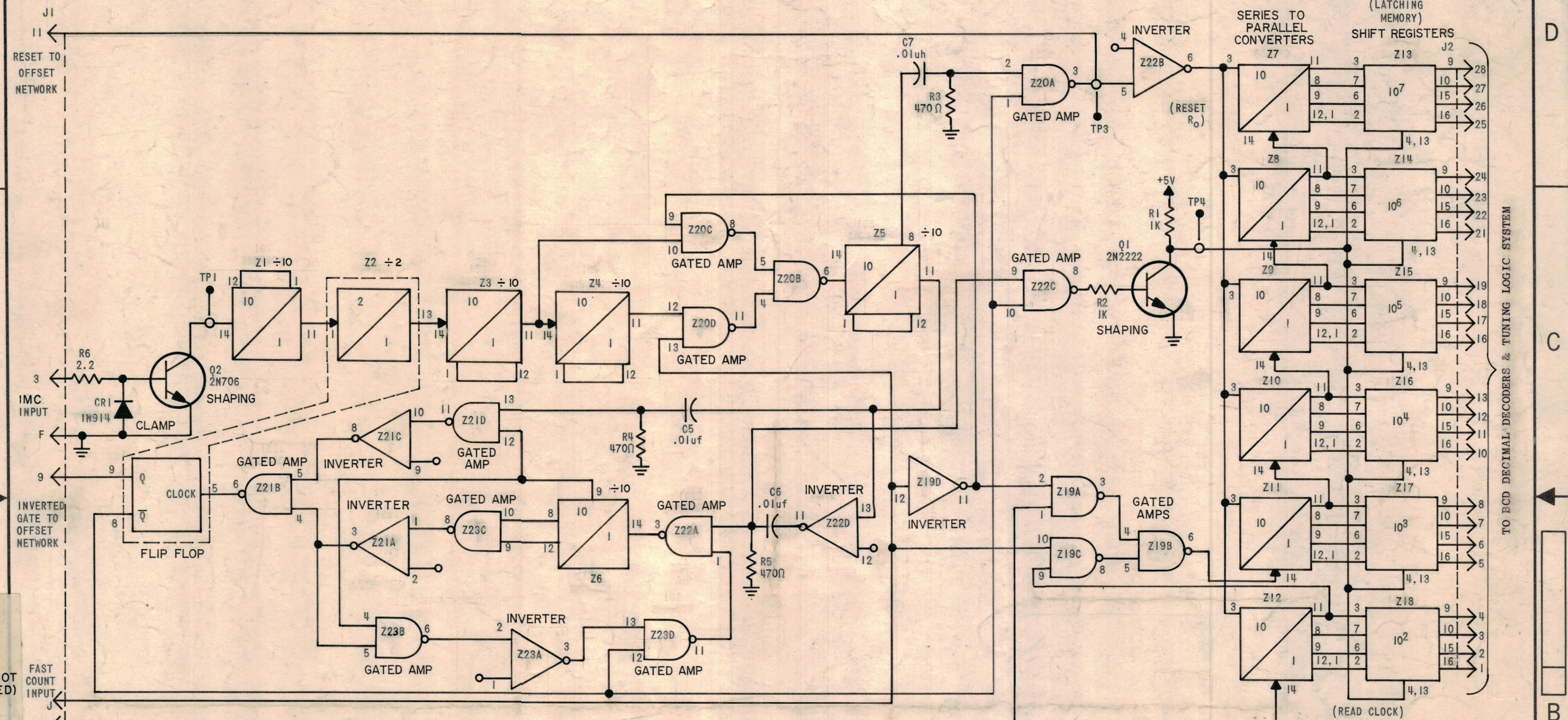


ZONE	LTR	DESCRIPTION	DATE	E.M.N.NO	DRAFT	CHKD	APPD
X		EXP. RELEASE	6/16/69	X	KD	JIS	
Q		ORIGINAL RELEASE FOR PRODUCTION	8/25/69		OJ		
A		REVISED SYMBOL Z19B	10/13/69	19610	KD	G/H	O.P.



IC CONNECTION CHART			
TYPE IC	IC NUMBER	PIN NO	
		POWER	GND
NW 134	1, 6	5 (V4)	2, 3, 6, 7, 10
	3, 4, 5	5 (V3)	2, 3, 6, 7, 10
NW 177	7, 8, 9, 10, 11, 12	5 (V2)	
	13, 14, 15, 16, 17, 18	5, 12 (V1)	
NW 176	19, 20	14 (V3)	7
NW 159	21, 22, 23	14 (V4)	7
	2	4 (V4)	11

LAST SYMBOL	MISSING SYMBOL
C7	
CR1	
J2	
L4	
Q2	
R6	
TP6	
Z23	

QTY / UNIT	MODEL USED ON	ASS'Y NO.
	HFRR-4	A4661
APPLICATION		
	CODE	

NOTICE TO PERSONS RECEIVING THIS DRAWING
 THE TECHNICAL MATERIEL CORPORATION claims proprietary right in the material disclosed herein. This drawing is issued in confidence for engineering information only and may not be reproduced or used to manufacture anything shown herein without permission from THE TECHNICAL MATERIEL CORPORATION to the user. This drawing is loaned for mutual assistance and is subject to recall at any time.

UNLESS OTHERWISE SPECIFIED DIMENSIONS ARE IN INCHES AND INCLUDE CHEMICALLY APPLIED OR PLATED FINISHES

TOLERANCES ON
 DECIMALS .X ± .05
 .XX ± .01
 .XXX ± .005
 FRACTIONS ± 1/64
 ANGLES ± 0° -30'

MATERIAL
 FINISH

PC422/A4661

63 Fig 5-17 64 Fig 5-18

QTY. REQ.	ITEM	PART NO.	DESCRIPTION	SYMBOL
POSE LIST OF MATERIAL				
FINAL APPROVAL		DATE	THE TECHNICAL MATERIEL CORP. MAMARONECK, NEW YORK	
MECH. DES.		DATE	DIAGRAM SCHEMATIC GATE GENERATOR & COUNTING REGISTER	
ELECT. DES.		DATE	SIZE CODE IDENT.NO. DWG NO. ISSUE	
CHECKED		DATE	C 82679 CK 1343 B	
DRAWN		DATE	SCALE NONE SHEET OF	