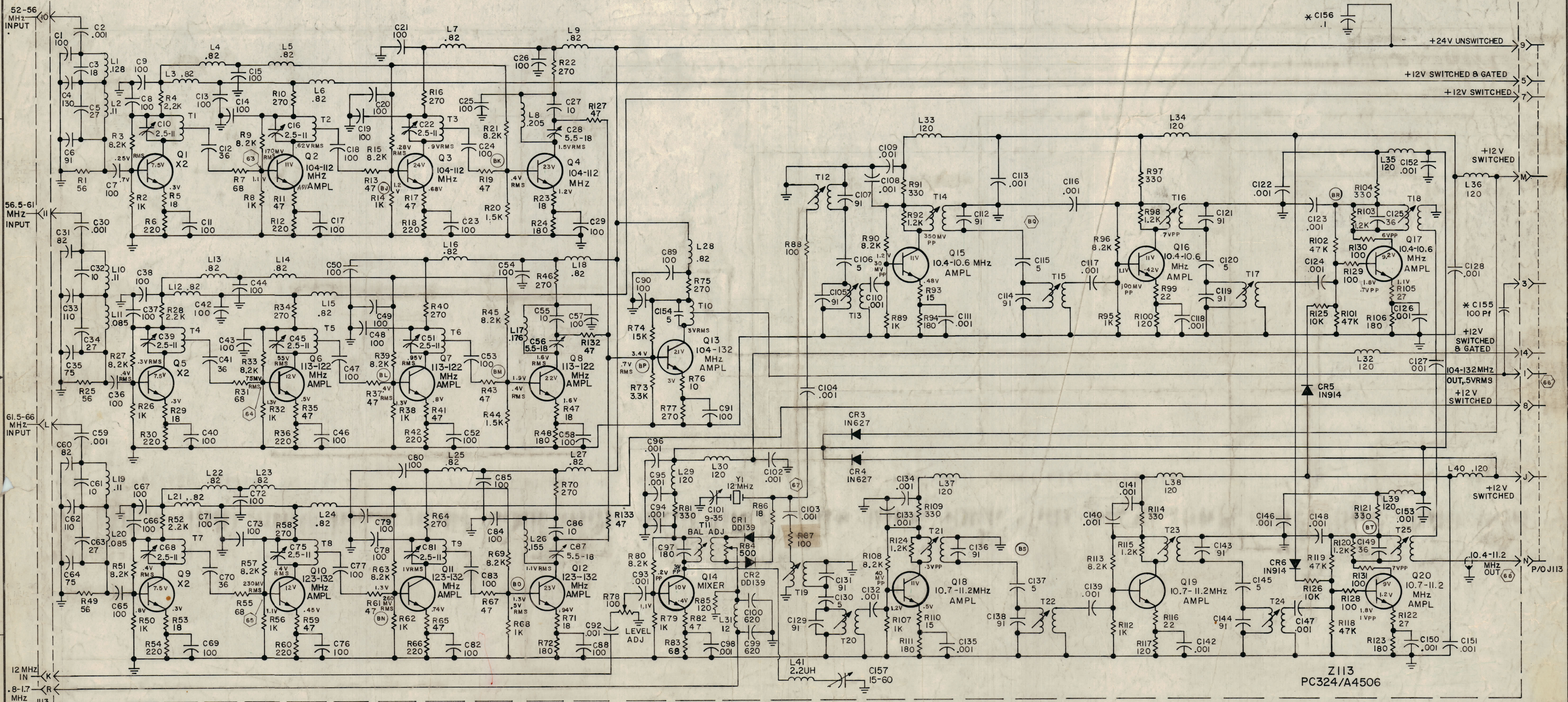


- WAVE SHAPES AND VOLTAGE CONDITIONS
- 1 - MMX POWE ON
  - 2 - EXCITER SWITCH PTT
  - 3 - VOLTAGES ON Q14, Q15, Q16, Q17 SELECTOR SWITCHES TO POS. 28.0000
  - 4 - VOLTAGES ON Q18, Q19 AND Q20 SELECTOR SWITCHES TO POS. 23.0000
  - 5 - VOLTAGES ON Q1, Q2, Q3 AND Q4 SELECTOR SWITCHES TO POS. 25.0000
  - 6 - VOLTAGES ON Q5, Q6, Q7 AND Q8 SELECTOR SWITCHES TO POS. 15.0000
  - 7 - VOLTAGES ON Q9, Q11, Q12 AND Q13 SELECTOR SWITCHES TO POS. 05.0000
  - 8 - VOLTAGES ARE DC LEVELS UNLESS OTHERWISE SPECIFIED

NOTE:  
SCHEMATIC AS SHOWN IS UPGRADED FOR USE WITH MMX-2B RUBBER STAMP P/N A4506-1  
\* THESE ITEMS REMOVED FOR MMX-2A and MMX-2A SPARE PARTS.  
AND SPARE PARTS

REVISIONS						
ZONE	LTR	DESCRIPTION	DATE	E.M.N. NO	DRAFT	CHKD APPD
D		R74 WAS (1.5K)	10/2/60	19084	H	
E		CHG. R102, 104, 113, 121 & 171 VALUES, LAST SYM. C154	12-9-70	20153	R	
F		ADD C155 AND C156	11-7-77	21598	PH	
G		L41, C157 Added	3-10-81	21835	PH	



- UNLESS OTHERWISE SPECIFIED
- 1- ALL RESISTANCE VALUES ARE IN OHMS, 1/4 W.
  - 2- ALL DECIMAL NUMBER CAPACITANCE VALUES ARE IN MICROFARADS. ALL WHOLE NUMBER VALUES ARE IN PICOFARADS.
  - 3- ALL INDUCTANCE VALUES ARE IN MICROHENRIES.
  - 4- TRANSISTORS Q1 THRU Q13 ARE TYPE 2N5179  
TRANSISTORS Q14 THRU Q20 ARE TYPE 2N3646.

NOTE: CR1 & CR2 MUST BE MATCHED PAIR.

LAST SYMBOLS	MISSING SYMBOLS
C157 CR6 L41 Q20 R133 T25 Y1	C74

SYMBOL SERIES 2400 thru 2500

QTY / UNIT	MODEL USED ON	ASS'Y NO.
1	MMX-2B	A4506-1
1	MMX-2A	A4506
APPLICATION		
CODE		

TOLERANCES ON	
DECIMALS	FRACTIONS
.X ± .05	1/64
.XX ± .01	ANGLES
.XXX ± .005	± 0° - 30'

QTY. REQ.	ITEM	PART NO.	DESCRIPTION	SYMBOL
O - POSE				
FINAL APPROVAL				
MECH. DES.				
ELECT. DES.				
CHECKED				
DRAWN				
MATERIAL				
FINISH				
LIST OF MATERIAL			THE TECHNICAL MATERIEL CORP. MAMARONECK, NEW YORK	
DIAGRAM, SCHEMATIC STEP GENERATOR "C"				
SIZE	CODE IDENT. NO.	DWG NO.	ISSUE	
D	82679	CK1325	G	
SCALE	SHEET			OF
	1			60

NOTICE TO PERSONS RECEIVING THIS DRAWING  
THE TECHNICAL MATERIEL CORPORATION claims proprietary right in the material disclosed herein. This drawing is issued in confidence for engineering information only and may not be reproduced or used to manufacture anything shown herein without permission from THE TECHNICAL MATERIEL CORPORATION to the user. This drawing is loaned for mutual assistance and is subject to recall at any time.