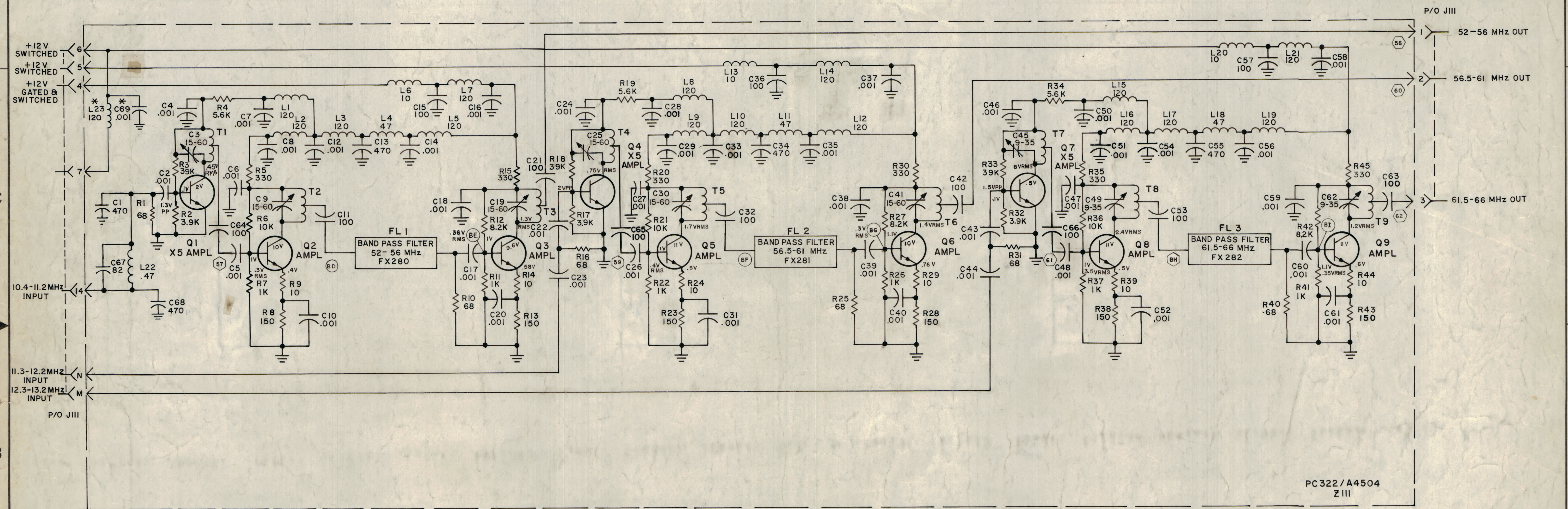


		REVISIONS					
ZONE	LTR	DESCRIPTION	DATE	E.M.N.NO	DRAFT	CHKD	APPD
	X6	REDRAWN & REV.	10.17.67				
	X7	VALUES C3, C10, C25, C30, C41, C45, C49 & C62 CHANGED. E.L.T.M.A.S.	10-26-67				
	D	ORIGINAL RELEASE FOR PRODUCTION	10-26-67				
	A	REVISED & UPDATED	11/26/67	18620			
	B	REVISED & UPDATED. CHG-1-4 ADD	12-7-67	18659			
	C	REV. & UPDATED	5.7.68	18905			
	D	REV. & UPDATED	7/11/70	18914			
	E	ADD RESISTORS R1, R16, R31	2/27/70	20505			
	F	ADD C63 & L23	4-16-71	21603			

**NOTE:**  
 SCHEMATIC AS SHOWN IS UPGRADED FOR USE WITH MMX-2B RUBBER STAMP P/N A-4504-1  
 \* THESE ITEMS REMOVED FOR STANDARD MMX AND SPARE PARTS



PC322/A4504  
Z III

SYMBOL SERIES 1400

- WAVE SHAPES AND VOLTAGE CONDITION**
- 1 - MMX PWR ON
  - 2 - EXCITER TO PTT
  - 3 - VOLTAGE ON Q1, Q2 AND Q3 SELECTOR SWITCHES TO POS. 25.0000
  - 4 - VOLTAGES ON Q4, Q5 AND Q6 SELECTOR SWITCHES TO POS. 15.0000
  - 5 - VOLTAGES ON Q7, Q8 AND Q9 SELECTOR SWITCHES TO POS. 05.0000
  - 6 - VOLTAGES ARE DC LEVELS UNLESS OTHERWISE SPECIFIED.

**NOTE: UNLESS OTHERWISE SPECIFIED**  
 1-ALL RESISTANCE VALUES ARE IN OHMS, 1/4 W.  
 2-ALL DECIMAL CAPACITANCE VALUES ARE IN MICROFARADS.  
 ALL WHOLE NUMBER VALUES ARE IN PICOFARADS.  
 3-ALL INDUCTANCE VALUES ARE IN MICROHENRIES.  
 4-ALL TRANSISTORS ARE TYPE "2N3646".

LAST SYMBOLS	MISSING SYMBOLS
C69	
L23	
Q9	
R45	
T9	
FL3	

I	CHG-( )4	A4504
I	VOX - 7	A4504
I	MMX-( )	A4504
QTY / UNIT	MODEL USED ON	ASSY NO.
APPLICATION		
	CODE	
MATERIAL		
FINISH		

UNLESS OTHERWISE SPECIFIED DIMENSIONS ARE IN INCHES AND INCLUDE CHEMICALLY APPLIED OR PLATED FINISHES		TOLERANCES ON	
DECIMALS	FRACTIONS	± 1/64	
.X ± .05		ANGLES	± 0° - 30'
.XX ± .01			
.XXX ± .005			

QTY. REQ.	ITEM	PART NO.	DESCRIPTION	SYMBOL
O. POSE				
LIST OF MATERIAL				
FINAL APPROVAL: [Signature] DATE: 10/2/67				
MECH. DES. DATE:				
ELECT. DES. DATE: 10-19-67				
CHECKED: [Signature] DATE: 10-19-67				
DRAWN: H. G. DATE: 10.17.67				
MATERIAL			SIZE	CODE IDENT. NO. DWG. NO.
FINISH			D	82679 CK1323
NOTICE TO PERSONS RECEIVING THIS DRAWING			SCALE	SHEET OF
THE TECHNICAL MATERIEL CORPORATION claims proprietary right in the material disclosed hereon. This drawing is issued in confidence for engineering information only and may not be reproduced or used to manufacture anything shown hereon without permission from THE TECHNICAL MATERIEL CORPORATION to the user. This drawing is loaned for mutual assistance and is subject to recall at any time.				

THE TECHNICAL MATERIEL CORP.  
MAMARONECK, NEW YORK

DIAGRAM SCHEMATIC  
STEP GENERATOR "B"

SIZE: D  
 CODE IDENT. NO.: 82679  
 DWG. NO.: CK1323  
 SHEET: 1 OF 1