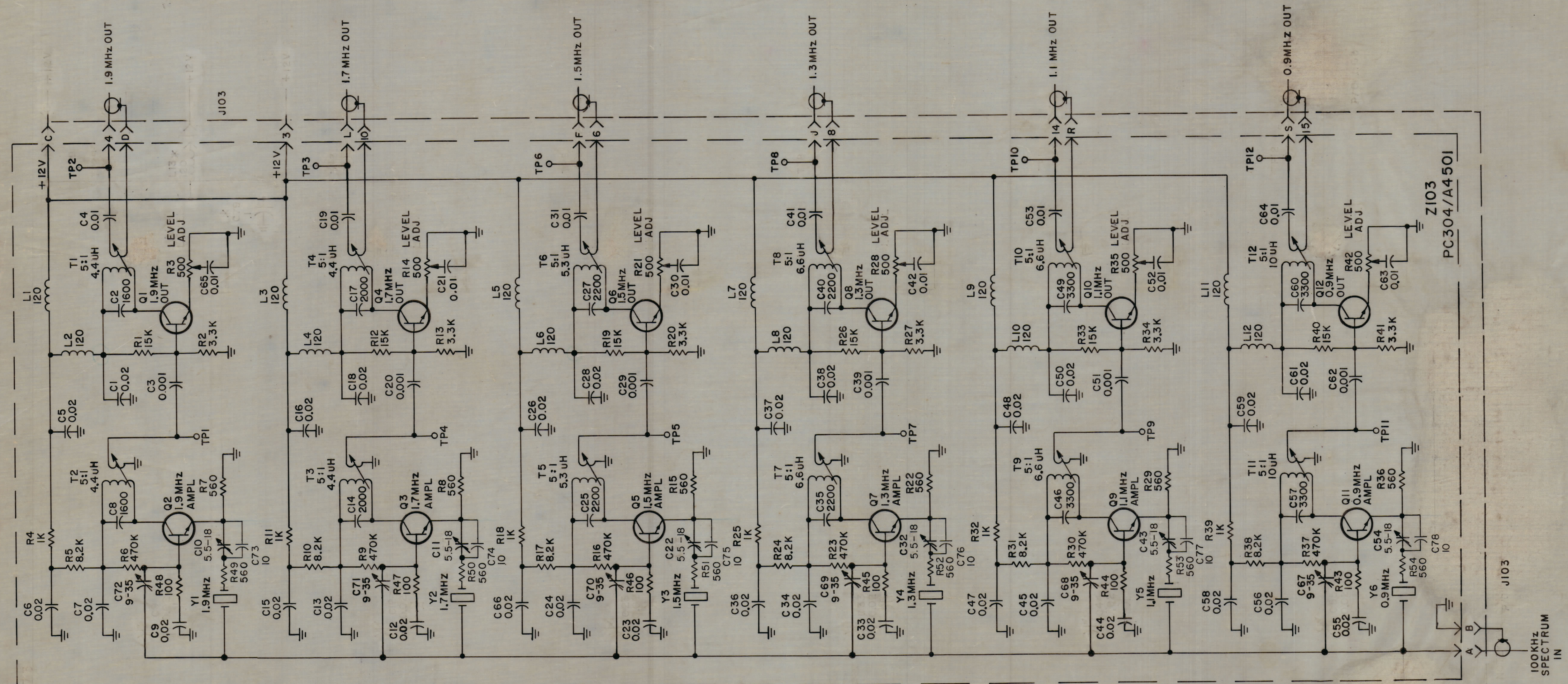


REVISIONS						
REV.	DESCRIPTION	DATE	BY	CHKD.	APPD.	
X	EXPERIMENTAL RELEASE	3-15-67	X	G.D.L.		
X	C46 WAS C45, C57 WAS C56, VALUE C21 WAS CH	3-30-67	XT	G.D.L.		
X2	Z103 WAS Z3	4-11-67	X2	G.D.L.		
D	ORIGINAL RELEASE FOR PRODUCTION	7-31-67		R.G.		
A	REV. E UPDATED	3/22/68	18933			
B	ADDR R49 TO 54, & C73 TO 78	1-12-70	19705	KD		
C	ADD C79 AND L15	8-11-71	21602	FN	K.M.	
D	SHEET 2 ADDED, C79 & L13 Deleted from 941	9-15-82	21835	DL		

NOTE:
SCHEMATIC AS SHOWN IS UPDATED FOR MMX-2B
NUMBER STAMP P/N A4501
* THESE ITEMS REMOVED FOR STANDARD MMX
AND STAMP PARTS



NOTE:
USE FOR MMX-2A SERIES ONLY
(SHEET 1 OF 2 SHEETS)

SYMBOL SERIES 600

LAST SYMBOL	MISSING SYMBOL
C78	
L12	
Q12	
R54	
T12	
TP12	
Y6	

- UNLESS OTHERWISE SPECIFIED
- 1- ALL RESISTANCE VALUES ARE IN OHMS, 1/4 W.
 - 2- ALL DECIMAL CAPACITANCE VALUES ARE IN MICROFARADS, (.001).
 - 3- ALL TRANSISTORS ARE TYPE "2N3646".
 - 4- ALL INDUCTANCE VALUES ARE IN MICROHENRIES.

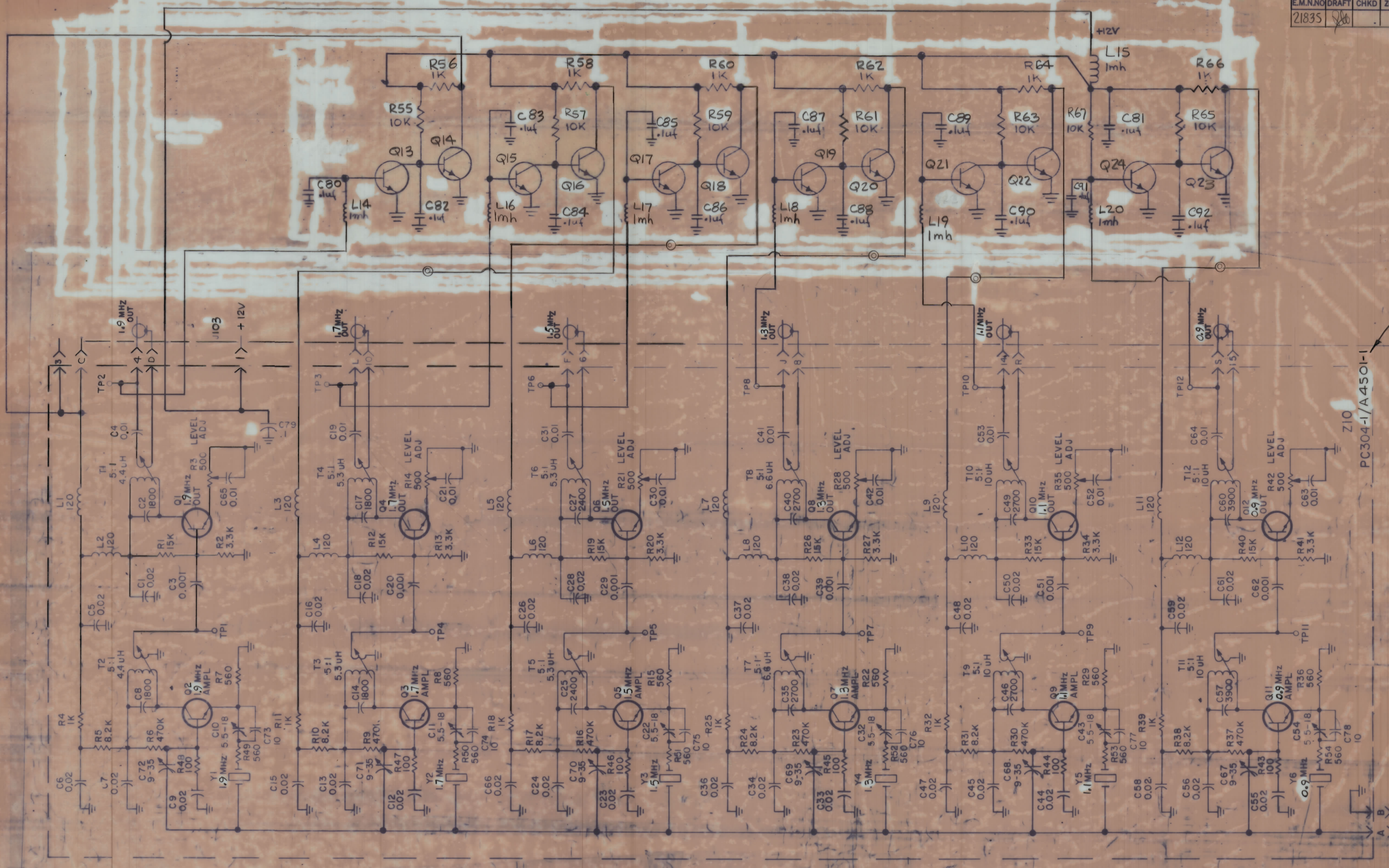
QTY / UNIT	MODEL USED ON	ASS'Y NO.
1	VOX-7	A4501
1	MMX-2A SERIES	A4501
APPLICATION		
CODE		
MATERIAL		
FINISH		

QTY. REQ.	ITEM	PART NO.	DESCRIPTION	SYMBOL
			LIST OF MATERIAL	
			THE TECHNICAL MATERIEL CORP. MAMARONECK, NEW YORK	
			DIAGRAM, SCHEMATIC COMB FILTER "B"	
			SIZE	CODE IDENT. NO. DWG NO.
			D	82679 CK1314
			SCALE	SHEET 1 OF 2

QTY. REQ.	ITEM	PART NO.	DESCRIPTION	SYMBOL
			LIST OF MATERIAL	
			THE TECHNICAL MATERIEL CORP. MAMARONECK, NEW YORK	
			DIAGRAM, SCHEMATIC COMB FILTER "B"	
			SIZE	CODE IDENT. NO. DWG NO.
			D	82679 CK1314
			SCALE	SHEET 1 OF 2

NOTICE TO PERSONS RECEIVING THIS DRAWING
THE TECHNICAL MATERIEL CORPORATION claims proprietary right in the material disclosed herein.
This drawing is issued in confidence for engineering information only and may not be reproduced or used
to manufacture anything shown herein without permission from THE TECHNICAL MATERIEL CORPORATION
to the user. This drawing is loaned for mutual assistance and is subject to recall at any time.

REVISIONS							
EM.N.NO	DRAFT	CHKD	ZONE	LTR	DESCRIPTION	DATE	APPROVED
21835				D	SHEET (2) ADDED, C79 & L13 DELETED FROM SH (1)	9-15-80	



TMC PART U2 A4501-1 MUST APPEAR ON THE P.C. ASSEMBLY

PC304-1/A4501-1

NOTE:
USE FOR MMX-2B SERIES (ONLY)
(SHEET 2 OF 2 SHEETS)

SYMBOL SERIES 600

LAST SYMBOL	MISSING SYMBOL
C92	
L20	
Q24	
R67	
T12	
TP12	
Y6	

- UNLESS OTHERWISE SPECIFIED
- 1- ALL RESISTANCE VALUES ARE IN OHMS, 1/4 W.
 - 2- ALL DECIMAL CAPACITANCE VALUES ARE IN MICROFARADS, (.001). ALL WHOLE NUMBER VALUES ARE IN PICO FARADS, (1600).
 - 3- ALL TRANSISTORS ARE TYPE "2N3646".
 - 4- ALL INDUCTANCE VALUES ARE IN MICROHENRIES.

1	MMX-2B SERIES	A4501-1
QTY / UNIT	MODEL USED ON	ASSY NO.
	APPLICATION	
	CODE	
<small>NOTICE TO PERSONS RECEIVING THIS DRAWING</small> <small>THE TECHNICAL MATERIEL CORPORATION claims proprietary right in the material disclosed hereon. This drawing is issued in confidence for engineering information only and may not be reproduced or used to manufacture anything shown hereon without permission from THE TECHNICAL MATERIEL CORPORATION to the user. This drawing is issued for mutual assistance and is subject to recall at any time.</small>		

QTY. REQ.	ITEM	PART NO.	DESCRIPTION	SYMBOL
LIST OF MATERIAL				
THE TECHNICAL MATERIEL CORP. MAMARONECK, NEW YORK				
DIAGRAM, SCHEMATIC COMB FILTER "B" (MMX-2B)				
FINAL APPROVAL		DATE		
MECH. DES.		DATE 7-16-80		
ELECT. DES.		DATE		
CHECKED		DATE 9-16-80		
DRAWN		DATE		
MATERIAL		SIZE CODE IDENT NO. DWG NO.		
FINISH		D 82679 CK1314-1		ISSUE D
SCALE		SHEET 2 OF 2		