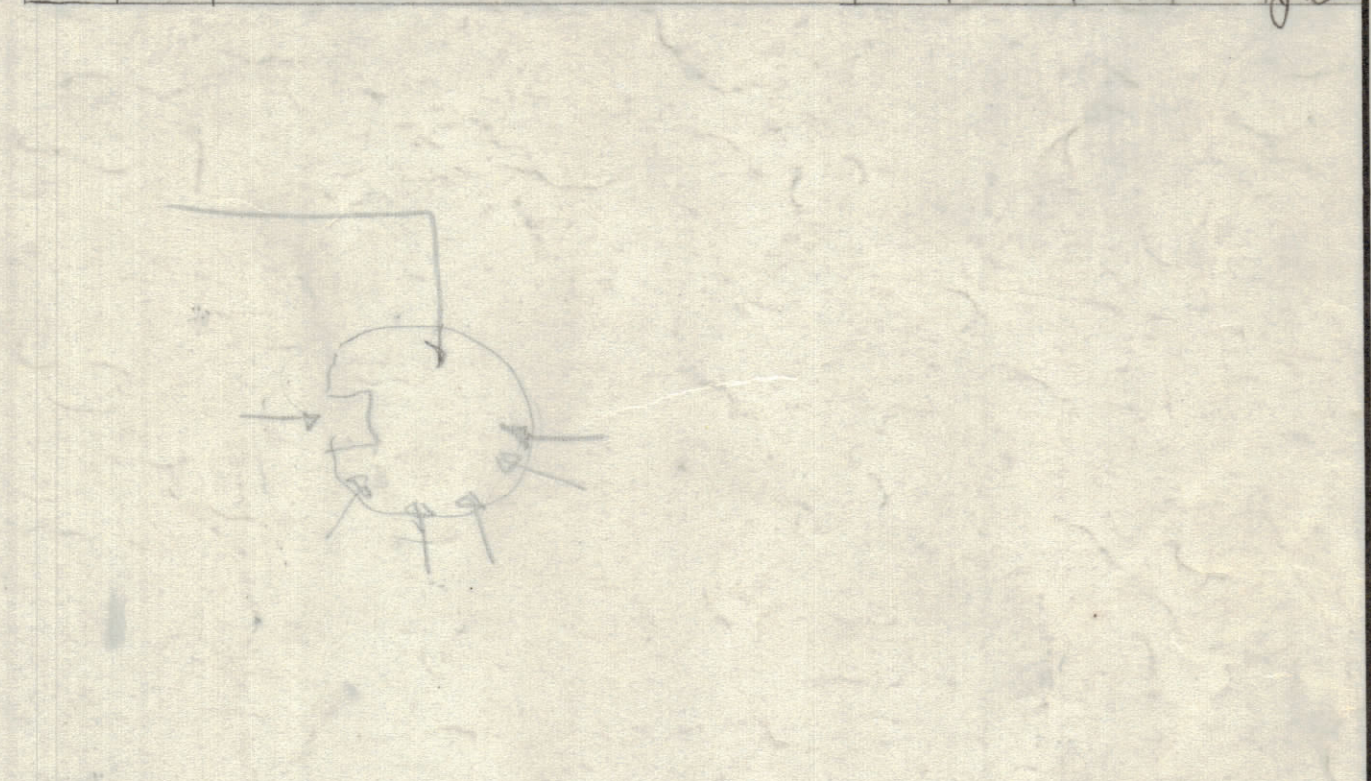
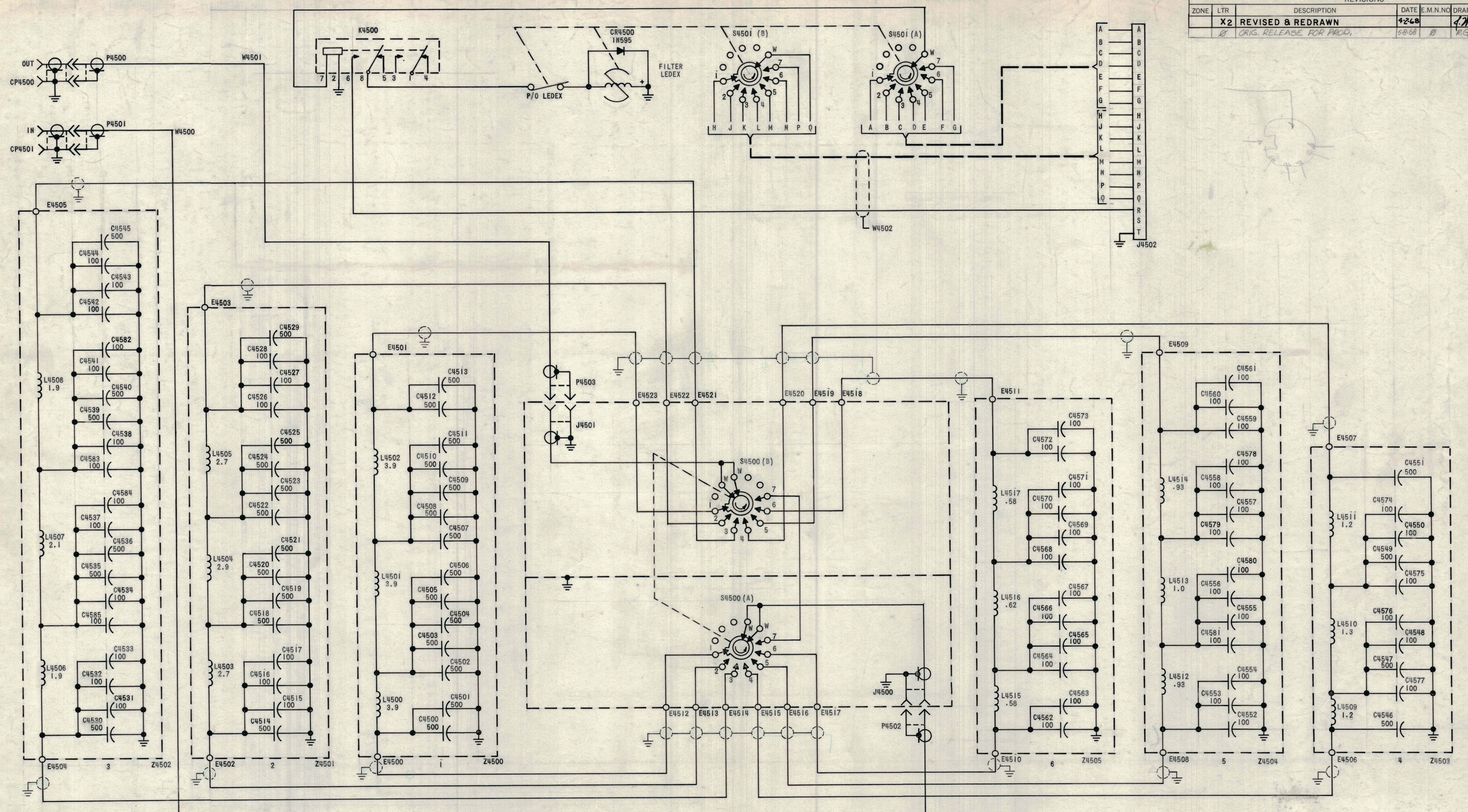


| ZONE | | LTR | | DESCRIPTION | DATE | E.M.N.NO | DRAFT | CHKD | APPD |
|------|--|-------------------|--|---------------------------|---------|----------|-------|------|------|
| X2 | | REVISED & REDRAWN | | | 4-26-68 | | | | |
| Ø | | Ø | | Ø ORIG. RELEASE FOR PROD. | 5-8-68 | | | | |



| 4500 SERIES | |
|-------------|--------------|
| LAST SYM. | MISSING SYM. |
| C4585 | |
| CP4501 | |
| CR4500 | |
| E4523 | |
| J4502 | |
| K4500 | |
| L4517 | |
| P4503 | |
| S4501 | |
| W4502 | |
| Z4505 | |

| S4500 BAND MHz | |
|----------------|----------|
| POS. | FUNCTION |
| 1 | 2-3 |
| 2 | 3-4 |
| 3 | 4-6 |
| 4 | 6-9 |
| 5 | 9-13 |
| 6 | 13-19 |
| 7 | 19-30 |

UNLESS OTHERWISE SPECIFIED:
 1. ALL COILS ARE IN uF
 2. ALL CAPACITORS ARE IN pF

| | | |
|-------------|---------------|-----------|
| 1 | TFP-2.5K | AF106 |
| QTY / UNIT | MODEL USED ON | ASS'Y NO. |
| APPLICATION | | |
| CODE | | |
| MATERIAL | | |
| FINISH | | |

UNLESS OTHERWISE SPECIFIED DIMENSIONS ARE IN INCHES AND INCLUDE CHEMICALLY APPLIED OR PLATED FINISHES

TOLERANCES ON
 DECIMALS .X ± .05
 .XX ± .01
 .XXX ± .005
 FRACTIONS ± 1/64
 ANGLES ± 0°-30'

| QTY. REQ. | ITEM | PART NO. | DESCRIPTION | SYMBOL |
|-----------------------------|------|----------|-------------------------------|--------|
| F. BUDETTI LIST OF MATERIAL | | | | |
| FINAL APPROVAL | | DATE | THE TECHNICAL MATERIEL CORP. | |
| MECH. DES. | | DATE | MAMARONECK, NEW YORK | |
| ELECT. DES. | | DATE | DIAGRAM, SCHEMATIC | |
| CHECKED | | DATE | SIZE CODE IDENT. NO. DWG. NO. | |
| DRAWN | | DATE | D 82679 CK1306 | |
| J. WACHMAN | | 4-1-68 | ISSUE | |
| SCALE | | SHEET | | OF |