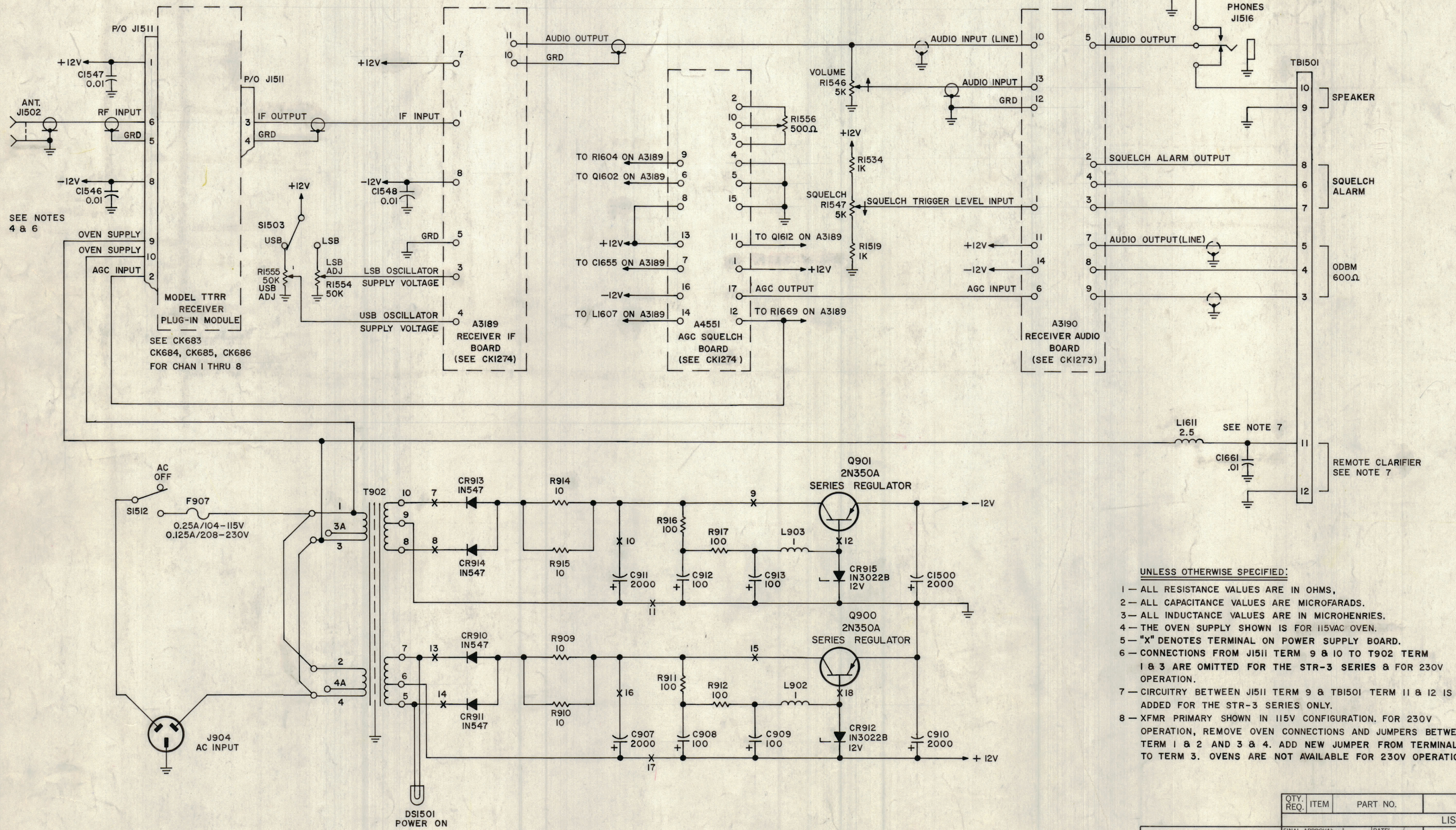


| ZONE |  | LTR          |                        | DESCRIPTION | DATE    | E.M.N.NO | DRAFT | CHKD   | APPD |
|------|--|--------------|------------------------|-------------|---------|----------|-------|--------|------|
| X    |  | EXPERIMENTAL | RELEASE                |             | 3.7.67  |          |       | W.H.W. |      |
|      |  | ORIGINAL     | RELEASE FOR PRODUCTION |             | 4.18.67 |          |       | R.G.   |      |



| LAST SYMBOL |        | MISSING SYMBOL |       |
|-------------|--------|----------------|-------|
| 900 SERIES  |        |                |       |
| C913        | CR915  | C900 TO C906   | CR909 |
| F907        | J904   | F900           | F906  |
| L903        | Q901   | J900           | J903  |
| R917        | T902   | L900           | L901  |
|             |        | R900           | R908  |
|             |        | R913           |       |
|             |        | T900 TO T901   |       |
| 1500 SERIES |        |                |       |
| C1548       | DS1501 | C1501 TO C1545 |       |
| J1516       | R1556  | DS1500         | J1501 |
| S1512       | TB1501 | J1503          | J1510 |
|             |        | J1512          | J1515 |
|             |        | R1500          | R1518 |
|             |        | R1520          | R1533 |
|             |        | R1535          | R1544 |
|             |        | R1548          | R1553 |
|             |        | S1500          | S1502 |
|             |        | S1504          | S1511 |
|             |        | TB1500         |       |
| 1600 SERIES |        |                |       |
| C1661       | L1611  | C1600 TO C1660 |       |
|             |        | L1600 TO L1610 |       |

NOTE:  
 FOR SERIES 1500 MISSING SYMBOLS SEE CK1274.  
 FOR SERIES 1600 MISSING SYMBOLS SEE CK1273.

- UNLESS OTHERWISE SPECIFIED:
- 1 - ALL RESISTANCE VALUES ARE IN OHMS.
  - 2 - ALL CAPACITANCE VALUES ARE MICROFARADS.
  - 3 - ALL INDUCTANCE VALUES ARE IN MICROHENRIES.
  - 4 - THE OVEN SUPPLY SHOWN IS FOR 115VAC OVEN.
  - 5 - "X" DENOTES TERMINAL ON POWER SUPPLY BOARD.
  - 6 - CONNECTIONS FROM J1511 TERM 9 & 10 TO T902 TERM 1 & 3 ARE OMITTED FOR THE STR-3 SERIES & FOR 230V OPERATION.
  - 7 - CIRCUITRY BETWEEN J1511 TERM 9 & TB1501 TERM 11 & 12 IS ADDED FOR THE STR-3 SERIES ONLY.
  - 8 - XFMR PRIMARY SHOWN IN 115V CONFIGURATION. FOR 230V OPERATION, REMOVE OVEN CONNECTIONS AND JUMPERS BETWEEN TERM 1 & 2 AND 3 & 4. ADD NEW JUMPER FROM TERMINAL 2 TO TERM 3. OVENS ARE NOT AVAILABLE FOR 230V OPERATION.

|             |               |           |
|-------------|---------------|-----------|
| STR-1Y      |               |           |
| QTY / UNIT  | MODEL USED ON | ASS'Y NO. |
| APPLICATION |               |           |
| CODE        |               |           |
| MATERIAL    |               |           |
| FINISH      |               |           |

|   |                                      |                 |
|---|--------------------------------------|-----------------|
| UNLESS OTHERWISE SPECIFIED DIMENSIONS ARE IN INCHES AND INCLUDE CHEMICALLY APPLIED OR PLATED FINISHES | FINAL APPROVAL<br><i>W. Williams</i> | DATE<br>4/17/67 |
| TOLERANCES ON   | ELECT. DES.<br><i>W. Williams</i>    | DATE            |
| DECIMALS<br>.X ± .05<br>.XX ± .01<br>.XXX ± .005  | CHECKED<br><i>W. Williams</i>        | DATE<br>4/17/67 |
| FRACTIONS<br>± 1/64<br>ANGLES<br>± 0° -30'  | DRAWN<br><i>W. Williams</i>          | DATE<br>3/7/67  |

| QTY. REQ.  | ITEM           | PART NO. | DESCRIPTION | SYMBOL   |
|--|----------------|----------|-------------|----------|
| LIST OF MATERIAL                                     |                |          |             |          |
| THE TECHNICAL MATERIEL CORP.<br>MAMARONECK, NEW YORK |                |          |             |          |
| DIAGRAM, SCHEMATIC                                   |                |          |             |          |
| SIZE   | CODE IDENT.NO. | DWG NO.  | ISSUE       |          |
| D  | 82679          | CK1297   |             |          |
| SCALE  |                |          |             | SHEET OF |

NOTICE TO PERSONS RECEIVING THIS DRAWING  
 THE TECHNICAL MATERIEL CORPORATION claims proprietary right in the material disclosed herein. This drawing is issued in confidence for engineering information only and may not be reproduced or used to manufacture anything shown herein without permission from THE TECHNICAL MATERIEL CORPORATION to the user. This drawing is loaned for mutual assistance and is subject to recall at any time.