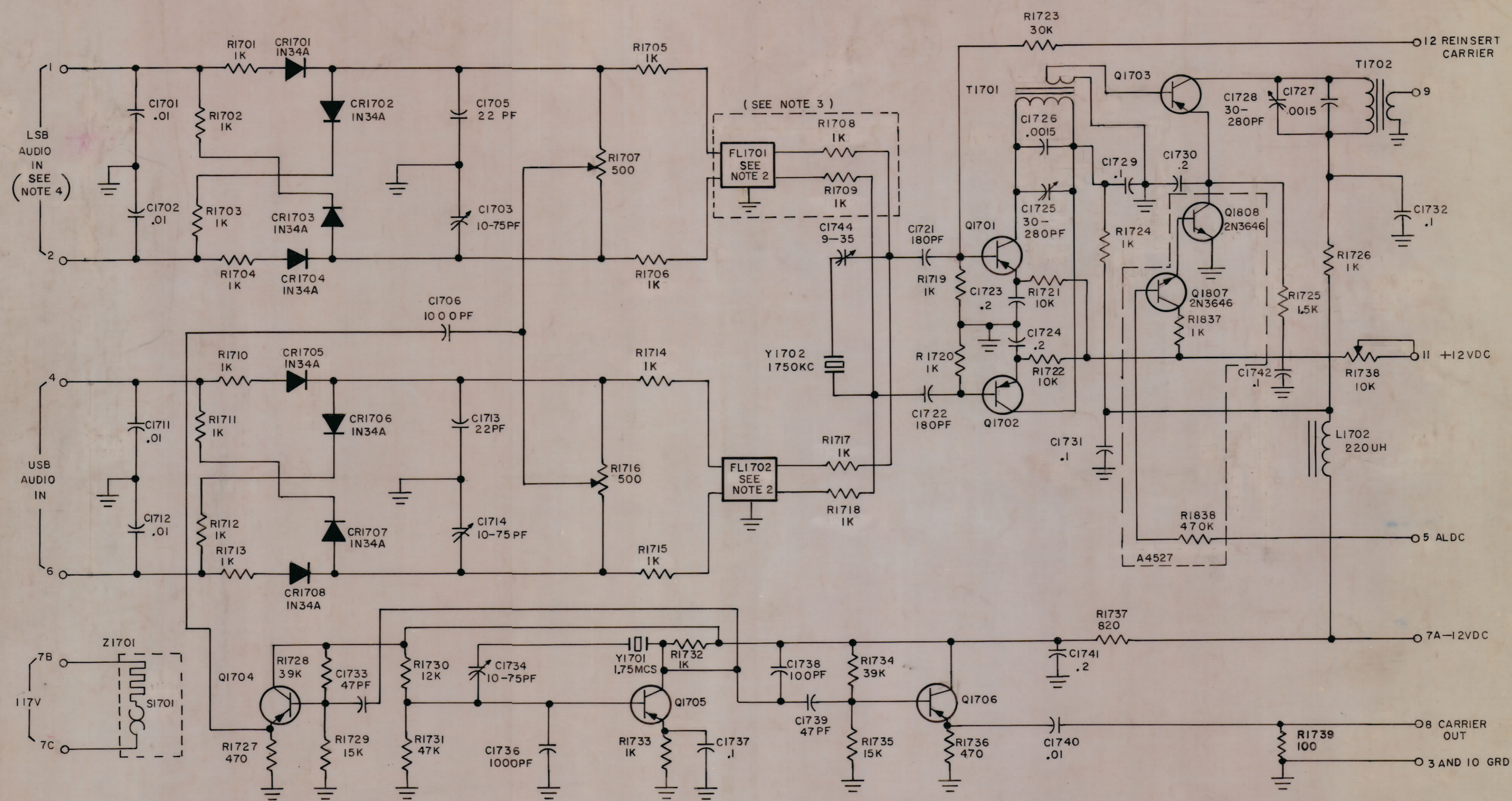


REVISION						
ZONE	LTR	DESCRIPTION	DATE	EMNNO.	DRAFT	CHKD APPD
X		EXPERIMENTAL RELEASE	2-3-67	X	RME	
X1		NOTE 3 REVISED; SMEC & SNEE ADDED TO MODEL BLOCK	2/13/67		WFO	
X2		R1739 ADDED	2/15/67	X2	WFO	WFO
		ORIGINAL RELEASE FOR PRODUCTION	2/16-67		LAK	
A		R1705, 6, 8, 9, 14, 15, 17, 18 VALUE WAS 1000	3-23-67	18036	WFO	WFO



LAST SYMBOLS	MISSING SYMBOLS
C1744	C1704, C1707 THRU
CR1708	C1710, C1715 THRU
L1702	C1720, C1735, C1743
Q1706	L1701
R1739	
S1701	
T1702	
Y1702	
Z1701	
FL1702	

- NOTES
- UNLESS OTHERWISE SPECIFIED ALL RESISTORS IN OHMS, 1/2 WATT. ALL CAPACITORS MICROFARADS.
  - FL1701 IS FX10014-1  
FL1702 IS FX10014-2
  - LOWER SIDEBAND FILTER REMOVED FOR "USB-ONLY" APPLICATION
  - ALTHOUGH LSB AUDIO CIRCUITRY IS PHYSICALLY CONTAINED IN UNIT IT IS DISCONNECTED
  - ALL TRANSISTORS 2N2084.

QTY REQ	ITEM	PART NO.	DESCRIPTION	SYMBOL
LIST OF MATERIAL				
THE TECHNICAL MATERIAL CORP. MARARONECK, NEW YORK.				
DIAGRAM, SCHEMATIC				
FINAL APPROVAL		DATE		
MECH DES.		DATE		
ELECT DES		DATE		
CHECKED		DATE		
DRAWN		DATE		
SIZE	CODE	IDENT NO.	DWG NO.	ISSUE
C		82679	CK1285	A
SCALE			SHEET	OF

MODEL  
TTR-10A