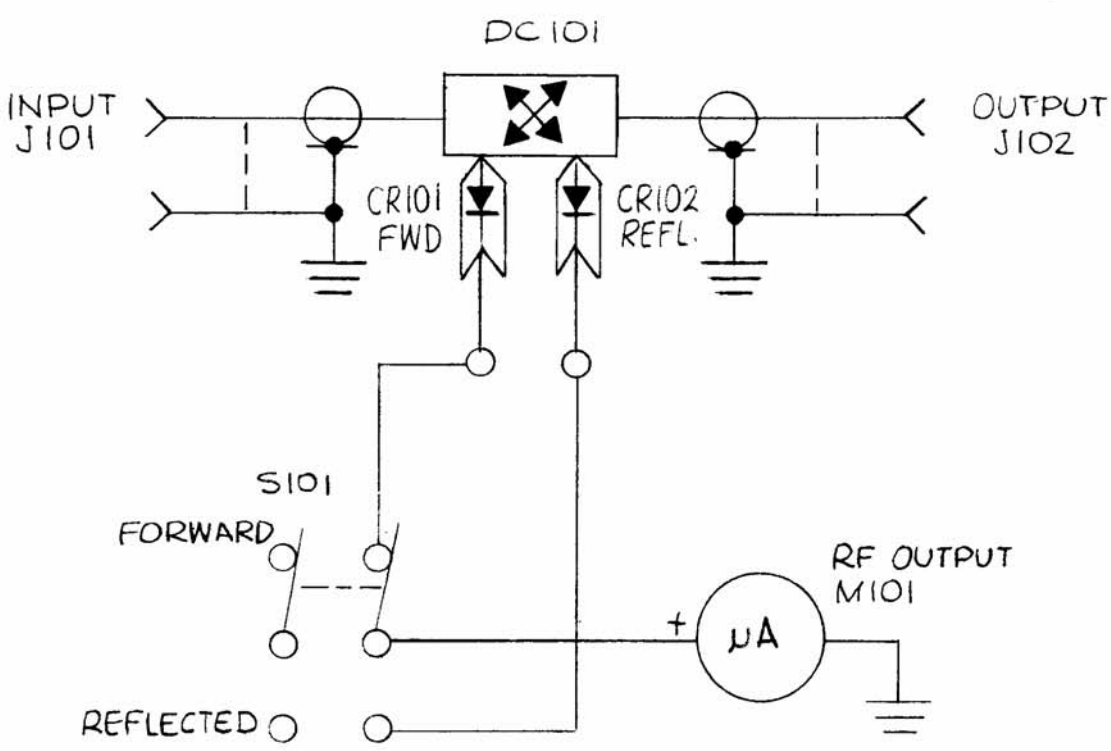


APPLICATION			REVISIONS							
QTY	MODEL USED ON	ASS'Y NO.	LTR	DESCRIPTION	DATE	E.M.N.NO	DRAFT	CHKD	APPD	
	SWRA-1K		X	EXP. RELEASE	1-23-67		<i>MB</i>	<i>JM</i>	<i>CB</i>	
			Ø	ORIGINAL RELEASE FOR PRODUCTION	3-28-67		<i>MB</i>	<i>CB</i>		



UNLESS OTHERWISE SPECIFIED DIMENSIONS ARE IN INCHES AND INCLUDE CHEMICALLY APPLIED OR PLATED FINISHES		REQ'D	ITEM	PART NUMBER	DESCRIPTION	SYM.
DECIMALS .X ± .05 .XX ± .01 .XXX ± .005	FRACTIONS 1/64 ANGLES 0° - 30'	F. BUDETTI LIST OF MATERIAL				
MATERIAL	FINISH	APPROVAL <i>MB</i>	DATE 3/27/67	THE TECHNICAL MATERIEL CORP. MAMARONECK, NEW YORK		
		MECH. DES.	DATE	DIAGRAM, SCHEMATIC		
		ELECT. DES. <i>MB</i>	DATE 27 MAR 67			
		CHECKED <i>CB</i>	DATE			
		DRAWN <i>MB</i>	DATE 1-23-67			
NOTICE TO PERSONS RECEIVING THIS DRAWING THE TECHNICAL MATERIEL CORPORATION claims proprietary right in the material disclosed hereon. This drawing is issued in confidence for engineering information only and may not be reproduced or used to manufacture anything shown hereon without permission from THE TECHNICAL MATERIEL CORPORATION to the user. This drawing is loaned for mutual assistance and is subject to recall at any time.		SIZE A	CODE IDENT. NO. 82679	DWG NO. CK1280	ISSUE Ø	
SCALE		SHEET		OF		