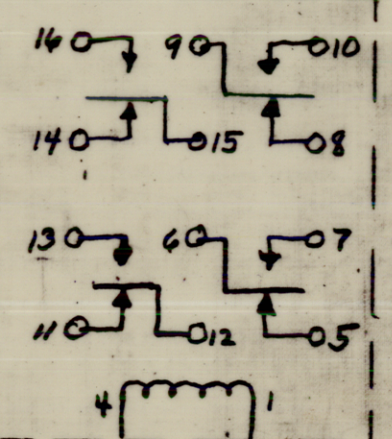
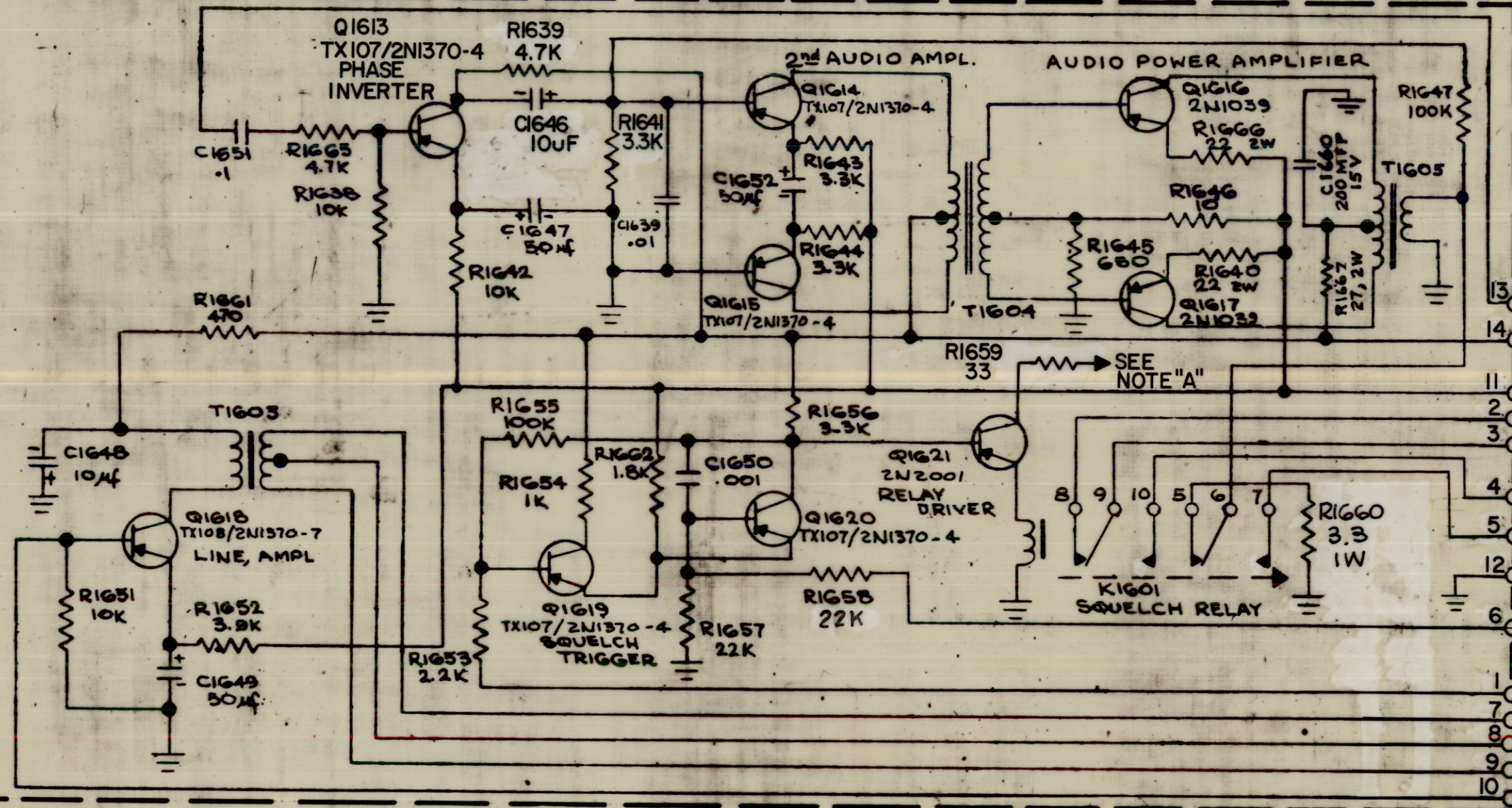


CK1273 A

REVISIONS						
SYM.	DESCRIPTION	DATE	E.M.N. NO.	DRAFT	CHKD	APPD
X	EXPERIMENTAL RELEASE	12-22-66		H.L.A.		
Ø	ORIGINAL RELEASE FOR PRODUCTION	1-18-67		L.A.K.		
A	R1658 22K WAS 2.2K.	9-18-67	18508	H.G.		E.F.M.



- 13 AUDIO IN
 - 14 -12V CONT
 - 11 +12V CONT DE-ENERGIZED POSITION
 - 2 SQUELCH ALARM
 - 3 SQUELCH ALARM
 - 4 SQUELCH ALARM
 - 5 AUDIO OUT
 - 12 GRD
 - 6 AGC IN
 - 1 SQUELCH IN
 - 7 600Ω LINE
 - 8 600Ω LINE
 - 9 600Ω LINE
 - 10 AUDIO IN
- NOTE "A"**
THIS POINT WIRED DIRECTLY TO TERM. NO.10 ON A3153, POWER SUPPLY BOARD.

NOTES

STR-1Y		ASS'Y. NO.
Q'TY./UNIT	MODEL USED ON	
SCALE	CODE	
THE CONTENTS OF THIS DRAWING ARE THE EXCLUSIVE PROPERTY OF THE TECHNICAL MATERIEL CORP. ITS UNAUTHORIZED USE OR REPRODUCTION IN WHOLE OR IN PART IS STRICTLY FORBIDDEN.		

DESCRIPTION		SYMBOL																	
POSE																			
MATERIAL		LIST OF MATERIAL																	
FINISH		THE TECHNICAL MATERIEL CORP. MAMARONECK, NEW YORK																	
UNLESS OTHERWISE SPECIFIED DIMENSIONS ARE IN INCHES AND INCLUDE CHEMICALLY APPLIED OR PLATED FINISHES		TITLE DIAGRAM, SCHEMATIC AUDIO BOARD-A3190																	
DECIMALS X ± .05 XX ± .01 XXX ± .005	TOLERANCES	FRACTIONS ± 1/64 ANGLES ± 0° 30'	<table border="1"> <tr> <td>DRAWN H. AUSTIN</td> <td>DATE 12-22-66</td> <td>FINAL APPROVAL <i>[Signature]</i></td> <td>DATE 1/18/67</td> </tr> <tr> <td>CHECKED <i>[Signature]</i></td> <td>DATE 1-12-67</td> <td></td> <td></td> </tr> <tr> <td>ELECT. DES. <i>[Signature]</i></td> <td>DATE 1-12-67</td> <td></td> <td></td> </tr> <tr> <td>MECH. DES.</td> <td>DATE</td> <td></td> <td></td> </tr> </table>	DRAWN H. AUSTIN	DATE 12-22-66	FINAL APPROVAL <i>[Signature]</i>	DATE 1/18/67	CHECKED <i>[Signature]</i>	DATE 1-12-67			ELECT. DES. <i>[Signature]</i>	DATE 1-12-67			MECH. DES.	DATE		
DRAWN H. AUSTIN	DATE 12-22-66	FINAL APPROVAL <i>[Signature]</i>	DATE 1/18/67																
CHECKED <i>[Signature]</i>	DATE 1-12-67																		
ELECT. DES. <i>[Signature]</i>	DATE 1-12-67																		
MECH. DES.	DATE																		
		CK1273																	
		A																	
		SHEET																	
		REV. LTR.																	