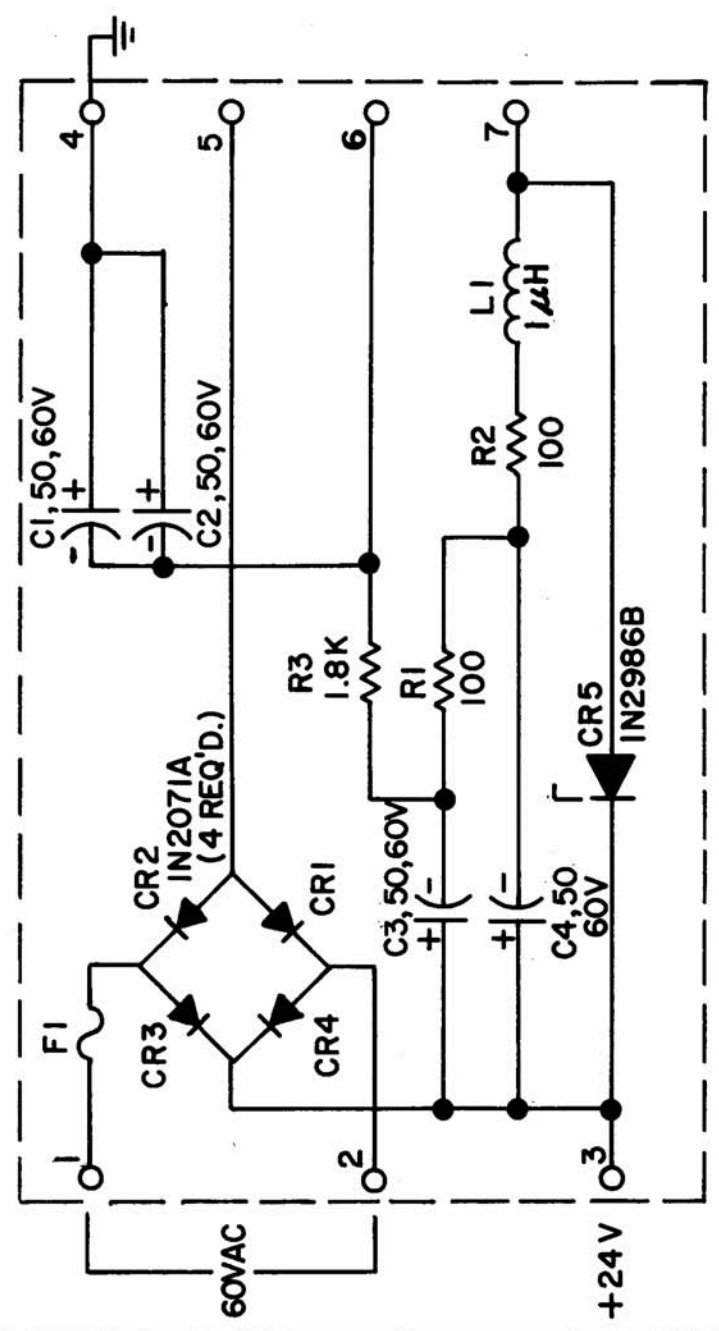


REQ. PER UNIT	MODEL	USED ON
1	SMEEC-1	ASSY. NO.
1	SMEE-1	DATE
		12.13.66
		12.13.66

CKI263

Ø



LAST SYMBOLS	
C4	
CR5	
F1	
L1	
R3	

UNLESS OTHERWISE SPECIFIED

- 1-ALL RESISTANCE VALUES ARE IN OHMS, 1/2 WATT.
- 2-ALL CAPACITANCE VALUES ARE IN MICROFARADS.

REQ. ITEM	PART NO.	DESCRIPTION	SYMBOL
		THE TECHNICAL MATERIEL CORP. MAMARONECK. NEW YORK.	
		DIAGRAM, SCHEMATIC	
		POWER SUPPLY	
		H. AUSTIN	
		DRAWN	
		CHECKED	
		FINAL APPROVAL	
		ELEC. DES. APP.	
		MECH. DES. APP.	
		CKI263	