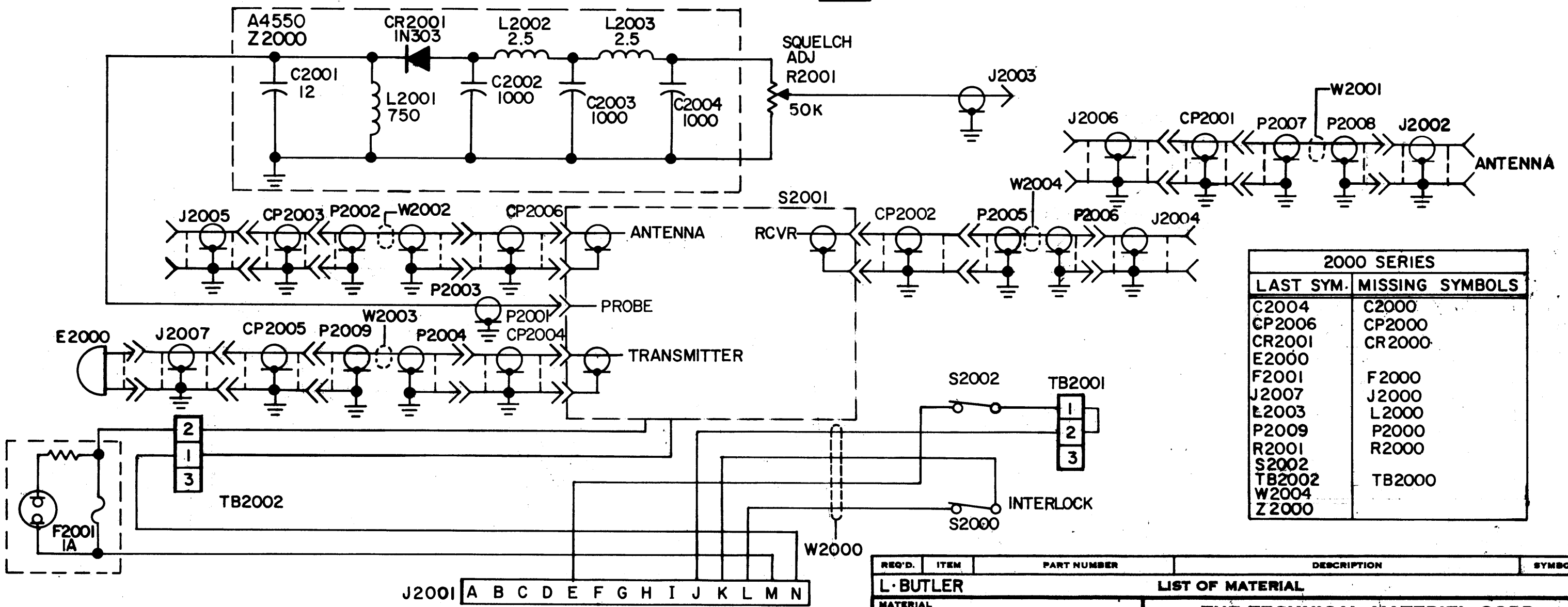


CK1258 A

REVISIONS

SYM	DESCRIPTION	DATE	E.M.N. NO.	DRAFT	CHKD	APPD
X	EXP. RELEASE	2-14-67	X	HA		
X1	UPDATED	5-19-67	X1	WEL		
Ø	ORIG. RELEASE FOR PRODUCTION	5-22-67	Ø	RG		
A	UPDATED	6-29-67	18297	L.A.K.		



2000 SERIES	
LAST SYM.	MISSING SYMBOLS
C2004	C2000
CP2006	CP2000
CR2001	CR2000
E2000	
F2001	F2000
J2007	J2000
E2003	L2000
P2009	P2000
R2001	R2000
S2002	
TB2002	TB2000
W2004	
Z2000	

UNLESS OTHERWISE SPECIFIED:
ALL CAPACITORS ARE IN μf

NOTES

Q'TY./UNIT	MODEL USED ON	ASS'Y. NO.
1	KIT-318-1	AX-650-1
SCALE	CODE	

THE CONTENTS OF THIS DRAWING ARE THE EXCLUSIVE PROPERTY OF THE TECHNICAL MATERIEL CORP. ITS UNAUTHORIZED USE OR REPRODUCTION IN WHOLE OR IN PART IS STRICTLY FORBIDDEN.

REQ'D.	ITEM	PART NUMBER	DESCRIPTION	SYMBOL
L. BUTLER LIST OF MATERIAL				
MATERIAL		THE TECHNICAL MATERIEL CORP. MAMARONECK, NEW YORK		
FINISH		TITLE DIAGRAM, SCHEMATIC		
UNLESS OTHERWISE SPECIFIED DIMENSIONS ARE IN INCHES AND INCLUDE CHEMICALLY APPLIED OR PLATED FINISHES		DRAWN H. AUSTIN	DATE 2-10-67	FINAL APPROVAL DATE
DECIMALS .X \pm .05 .XX \pm .01 .XXX \pm .005		CHECKED	DATE	
FRACTIONS \pm 1/64 ANGLES \pm 0° 30'		ELECT. DES.	DATE 5-19-67	CK1258
TOLERANCES		MECH. DES.	DATE	A
SHEET				REV. LTR.

W/L CA