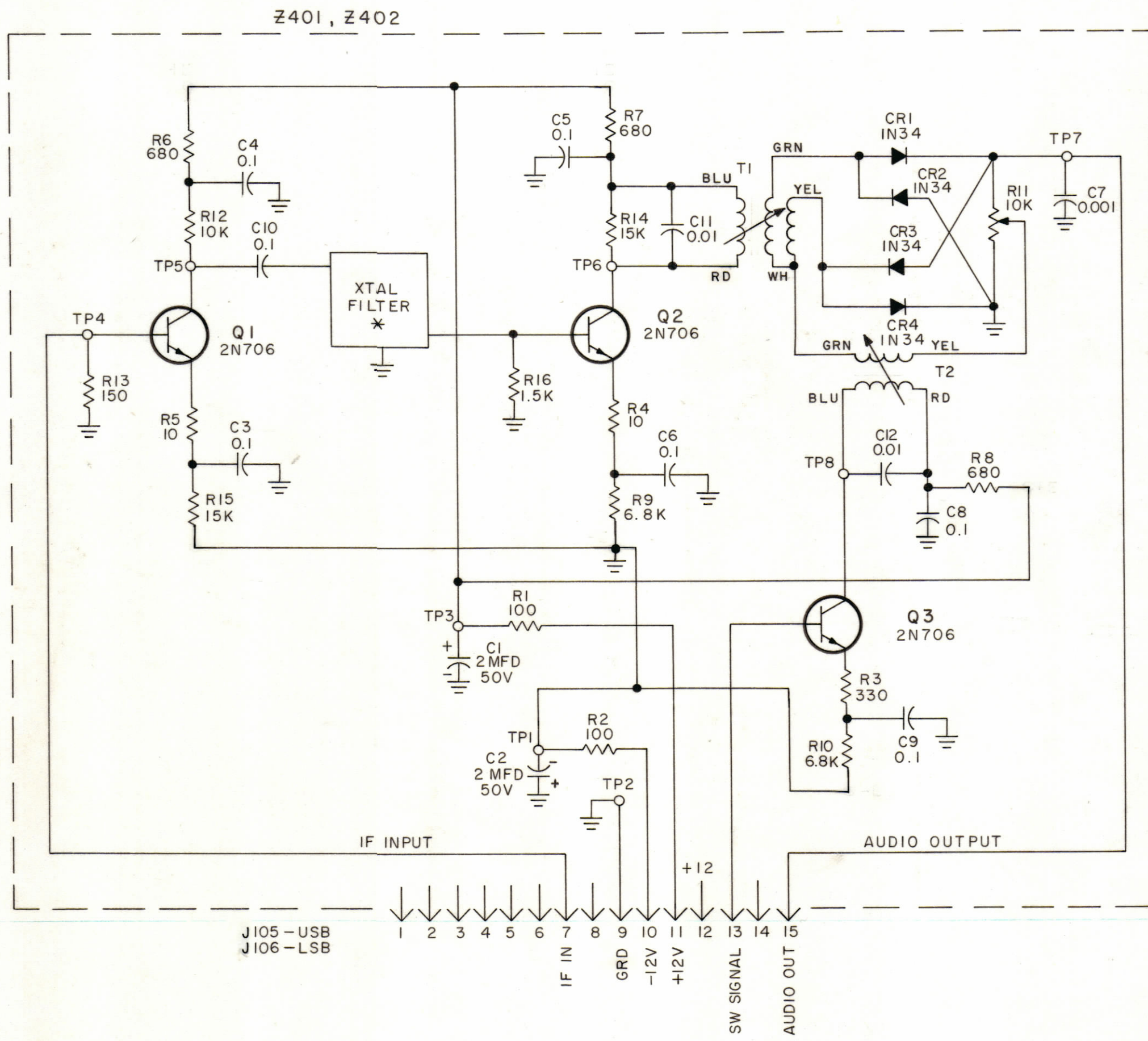


REVISIONS					
SYM	ZONE	DESCRIPTION	DATE	E.M.N.O.	APPD
X		EXPERIMENTAL RELEASE	11-28-66	X	RME
Ø		ORIGINAL RELEASE FOR PRODUCTION	12/1/66	Ø	CV



**LAST SYMBOLS**  
 C412  
 CR404  
 \* FL401-1 (FOR Z401)  
 OR  
 FL401-2 (FOR Z402)  
 Q403  
 R416  
 T402  
 TP408

**NOTES:**  
 1. FL401-1 FOR LSB ON A3718-1 (Z401)  
 FL401-2 FOR USB ON A3718-2 (Z402)  
 2. ALL SYMBOLS 400 SERIES

UNLESS OTHERWISE SPECIFIED  
 ALL RESISTOR VALUES ARE IN OHMS, 1/2 WATT.

REF. CK1254  
 REF. PC 130

QTY REQ	ITEM	PART NO.	DESCRIPTION	SYMBOL
BILL OF MATERIAL				
FINAL APPROVAL			DATE	THE TECHNICAL MATERIEL CORP. MAMARONECK, NEW YORK
MECH. DES.			DATE	
ELECT. DES.			DATE	
CHECKED			DATE	
DRAWN			DATE	DIAGRAM, SCHEMATIC PRODUCT DETECTOR
D'WAIN SERV.			DATE	
FINISH			CODE	ISSUE
			82679	Ø
			SIZE	
			C	
			DWG. NO.	
			CK 1252	
SCALE				SHEET OF

MAXIMUM ALLOWABLE TOLERANCES HAVE BEEN DETERMINED AND ANY DEVIATIONS WILL BE CAUSE FOR REJECTION.

2	LFCA-1	A3718
QTY/UNIT	MODEL USED ON	ASSY. NO.