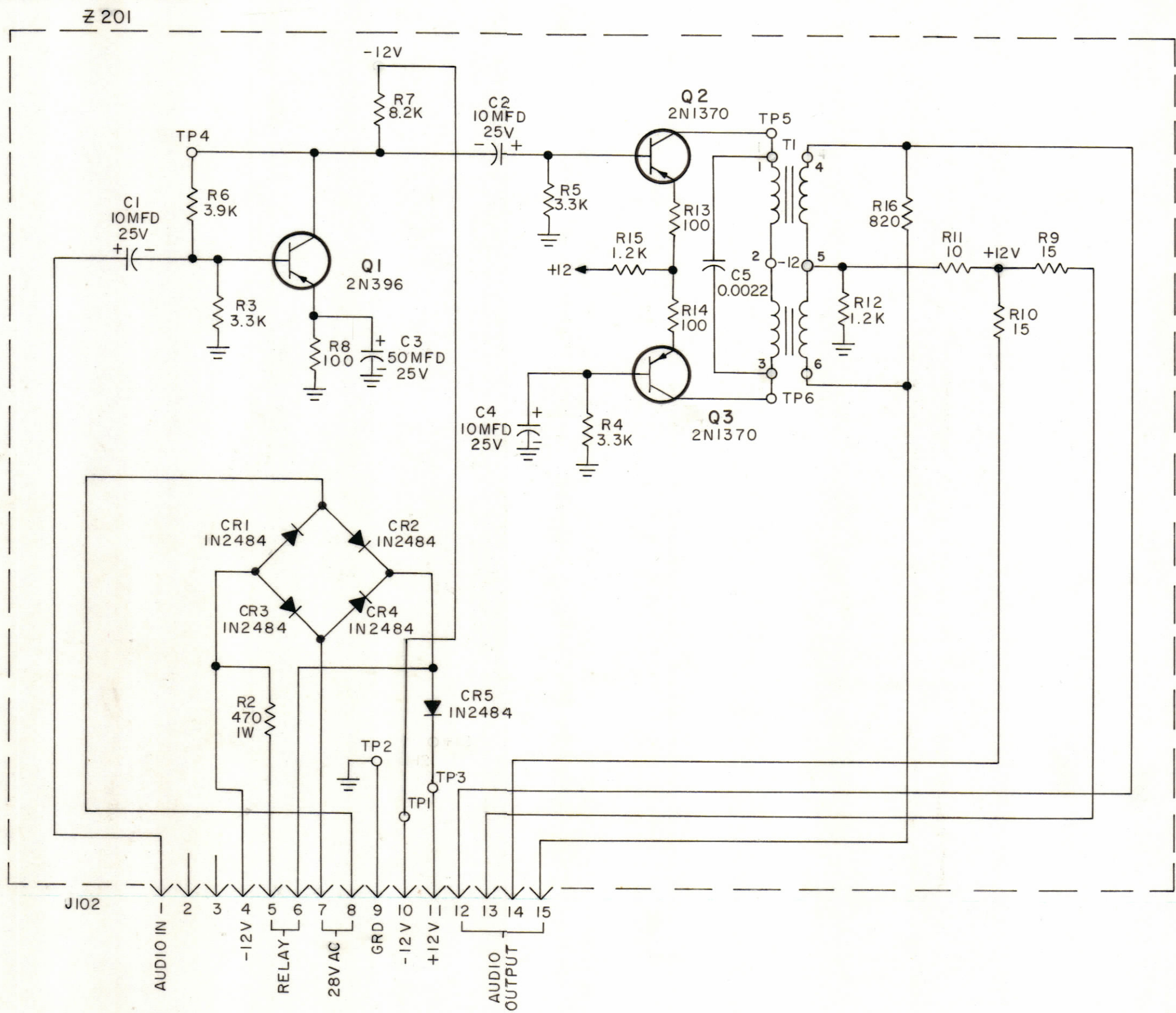


REVISIONS						
SYM	ZONE	DESCRIPTION	DATE	E.M.N.	DRAFT	CHKD
X		EXPERIMENTAL RELEASE	11-28-66	X		RME
Ø		ORIGINAL RELEASE FOR PRODUCTION	12-10-66	Ø		CV



LAST SYMBOLS
 CR205
 C205
 Q203
 R216
 T201
 TP206

MISSING SYMBOL
 R201

NOTE
 ALL SYMBOLS 200 SERIES

UNLESS OTHERWISE SPECIFIED
 ALL RESISTOR VALUES ARE IN OHMS, 1/2 WATT.

REF. CK1254
 REF. PC134

QTY REQ	ITEM	PART NO.	DESCRIPTION	SYMBOL
BILL OF MATERIAL				
UNLESS OTHERWISE SPECIFIED DIMENSIONS ARE IN INCHES TOLERANCES ON FRACTIONS DECIMALS ANGLES ± 1/64 ± .005 ± 1/2°		FINAL APPROVAL <i>[Signature]</i>	DATE 12/1/66	THE TECHNICAL MATERIEL CORP. MAMARONECK, NEW YORK
MATERIAL		MECH. DES.	DATE	
FINISH		ELECT. DES.	DATE	DIAGRAM, SCHEMATIC AF AMPLIFIER & POWER SUPPLY
		CHECKED JL	DATE 11/28/66	
		DRAWN DRAIN SERV.	DATE	CODE 82679
				SIZE C
				DWG. NO. CK 1251
				ISSUE Ø
				SCALE
				SHEET OF

MAXIMUM
 ALLOWABLE TOLERANCES HAVE BEEN
 DETERMINED AND ANY DEVIATIONS
 WILL BE CAUSE FOR REJECTION.

QTY/UNIT	LFC A - 1	A3722
	MODEL USED ON	ASSY. NO.