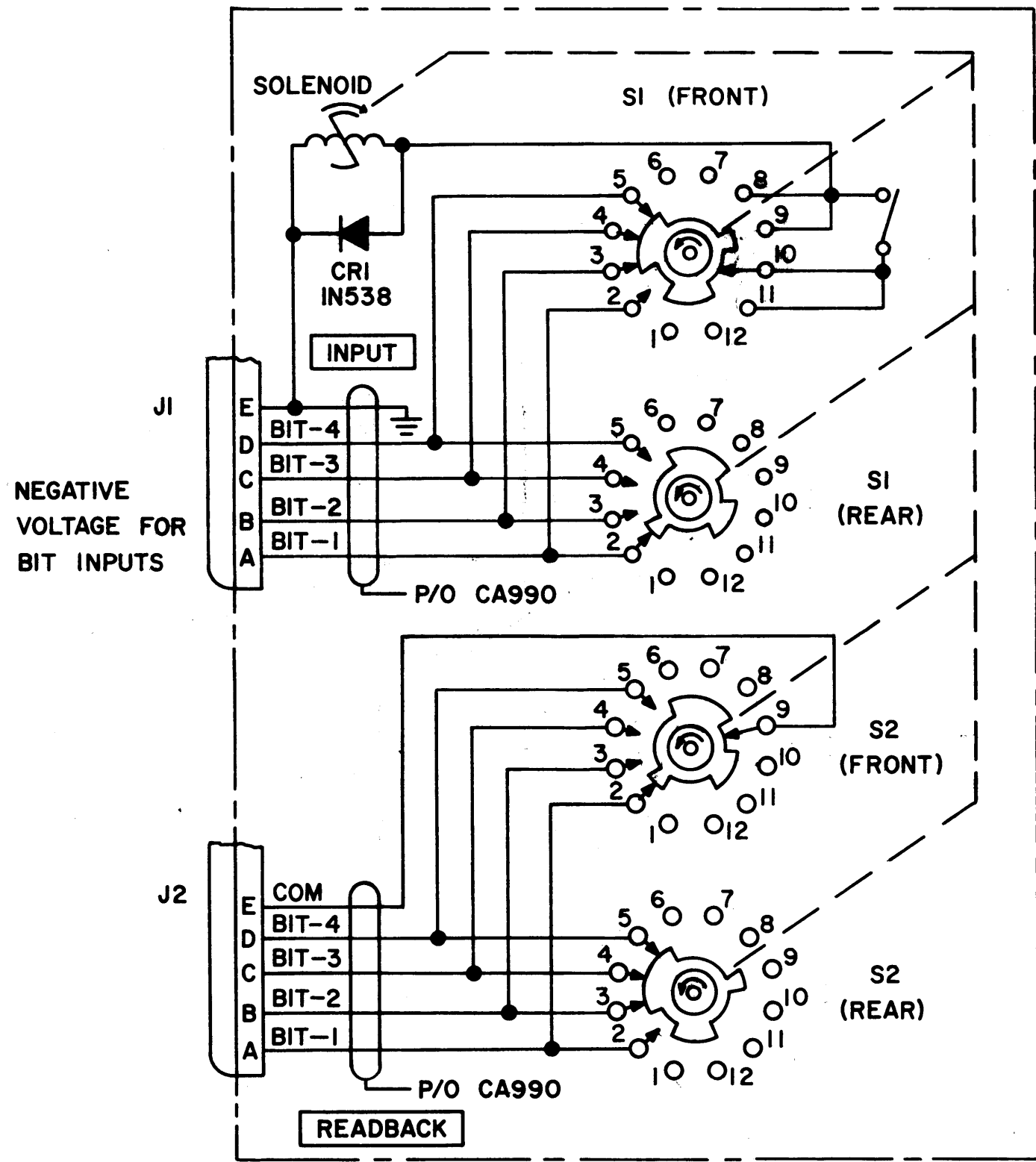


CKI246

REVISIONS

SYM	DESCRIPTION	DATE	E.M.N. NO.	DRAFT	CHKD	APPD
X ₁	REVERSED DIRECTION OF NO. SERIES ON SWITCHES & RELOC WAFER 1 POS. C.C.W.	3-2-67		RME		
Ø	ORIGINAL RELEASE FOR PRODUCTION	3-2-67		RME		



NEGATIVE VOLTAGE FOR BIT INPUTS

NOTES

1	SMEC-1	AX541-3
Q'TY./UNIT	MODEL USED ON	ASS'Y. NO.
SCALE	CODE	

THE CONTENTS OF THIS DRAWING ARE THE EXCLUSIVE PROPERTY OF THE TECHNICAL MATERIEL CORP. ITS UNAUTHORIZED USE OR REPRODUCTION IN WHOLE OR IN PART IS STRICTLY FORBIDDEN.

REQ'D.	ITEM	PART NUMBER	DESCRIPTION	SYMBOL
LIST OF MATERIAL				
MATERIAL		THE TECHNICAL MATERIEL CORP. MAMARONECK, NEW YORK		
FINISH		TITLE DIAGRAM, SCHEMATIC		
UNLESS OTHERWISE SPECIFIED DIMENSIONS ARE IN INCHES AND INCLUDE CHEMICALLY APPLIED OR PLATED FINISHES		DRAWN WHW	DATE 11-23-66	FINAL APPROVAL <i>[Signature]</i>
DECIMALS .X ± .05 .XX ± .01 .XXX ± .005		CHECKED <i>[Signature]</i>	DATE 11-24-66	DATE 3/2/67
FRACTIONS ± 1/64 ANGLES ± 0° 30'		ELECT. DES. <i>[Signature]</i>	DATE 3/2/67	DATE 3/2/67
TOLERANCES		MECH. DES. <i>[Signature]</i>	DATE 3/2/67	DATE 3/2/67
			SHEET CKI246	REV. LTR. Ø