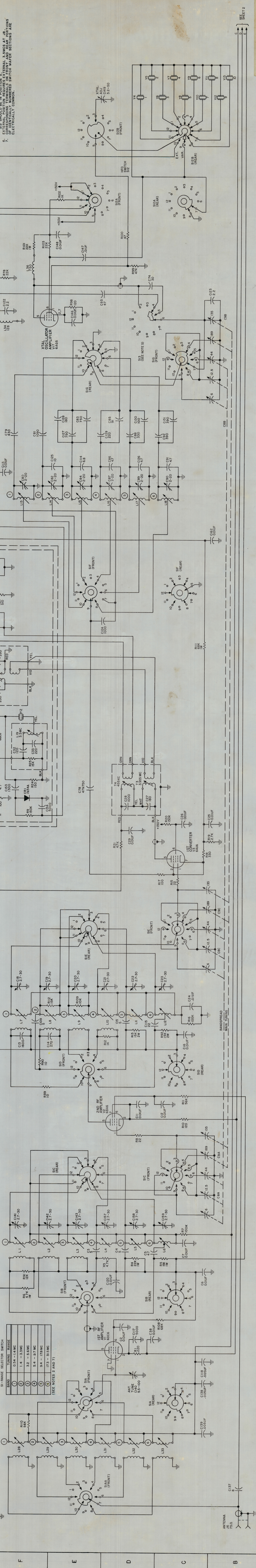


NOTE:  
 1. UNLESS OTHERWISE SPECIFIED, ALL RESISTANCES ARE IN OHMS, /2WATT,  
 ALL CAPACITANCES ARE IN MICROFARADS AND ALL  
 INDUCTANCES IN MICROHENRIES (NO. POSITION).  
 2. (S1) AUDIO SELECTIVITY SWITCH SHOWN IN NORMAL POSITION.  
 3. (S1) AUDIO SELECTIVITY SWITCH SHOWN IN NORMAL POSITION.  
 4. (S1) SWITCH IS IN VARIABLE POSITION.  
 5. (S1) SWITCH IS IN VARIABLE POSITION.  
 6. WHEN HFO SWITCH (S12) IS IN POSITION "VAR", S13 SHOULD  
 BE IN POSITION "EXT".  
 7. WHEN HFO SWITCH (S12) IS IN POSITION "EXT" AND "XTALS",  
 EXTERNAL POSITION REQUIRES EXTERNAL 3.5MCS AT J8.  
 8. EXTERNAL POSITION REQUIRES EXTERNAL 3.5MCS AT J8.  
 9. EXTERNAL POSITION REQUIRES EXTERNAL 3.5MCS AT J8.  
 10. EXTERNALLY NUMBERED SWITCH WAFER SECTIONS ARE  
 ELECTRICALLY COMMON.

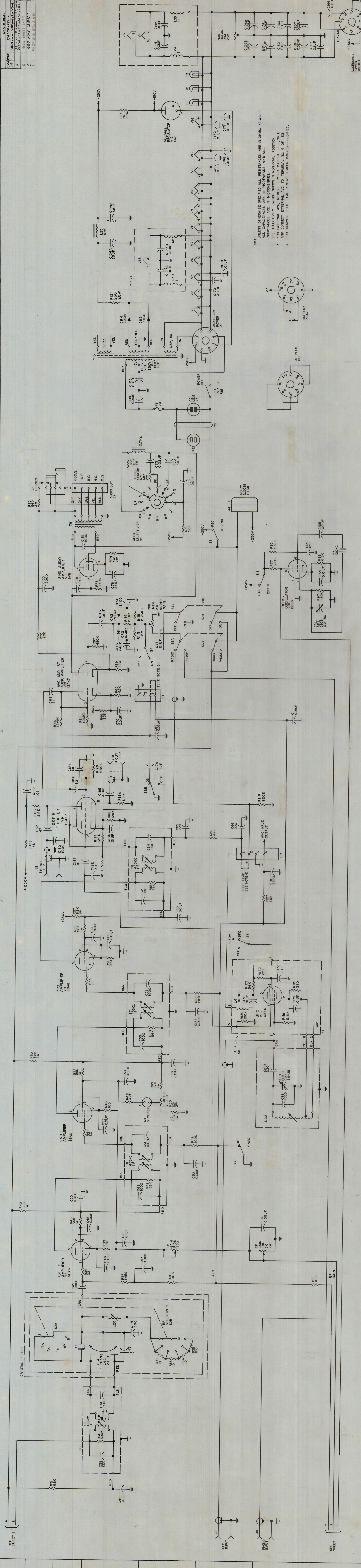


REVISONS	DESCRIPTION	DATE	BY	CHKD	APP'D
A	ORIGINAL RELEASED FOR PRODUCTION	11/15/54	W.C. HARRIS	W.C. HARRIS	
B	REVISED TO REFLECT CHANGE IN COMPONENTS	11/15/54	W.C. HARRIS	W.C. HARRIS	
C	REVISED TO REFLECT CHANGE IN COMPONENTS	11/15/54	W.C. HARRIS	W.C. HARRIS	
D	REVISED TO REFLECT CHANGE IN COMPONENTS	11/15/54	W.C. HARRIS	W.C. HARRIS	

UNLESS OTHERWISE SPECIFIED, COMPONENTS SHALL BE OF THE FOLLOWING MANUFACTURERS: RESISTORS - VACO, CAPACITORS - SONY, TRANSISTORS - SONY, DIODES - SONY, RELAYS - SONY, TUBES - SONY.

THE TECHNICAL MATERIEL CORP  
DIAGRAM SCHEMATIC  
(GPR90R0XDS)

CK1227



NOTE: 1. UNLESS OTHERWISE SPECIFIED ALL RESISTANCES ARE IN OHMS, 1/2 WATT, ALL CAPACITANCES ARE IN MICROFARADS, AND ALL INDUCTANCES ARE IN MICROHENRIES.  
2. COMPONENTS ARE TO BE MOUNTED IN THE POSITION SHOWN UNLESS OTHERWISE SPECIFIED.  
3. FOR EXTERNAL AVC, REMOVE JUMPER MARKED "ON E1" AND CONNECT EXTERNAL AVC TO TERMINAL NO. 4 OF E3.  
4. FOR COMMON DIODE LOAD REMOVE JUMPER MARKED "ON E3."

