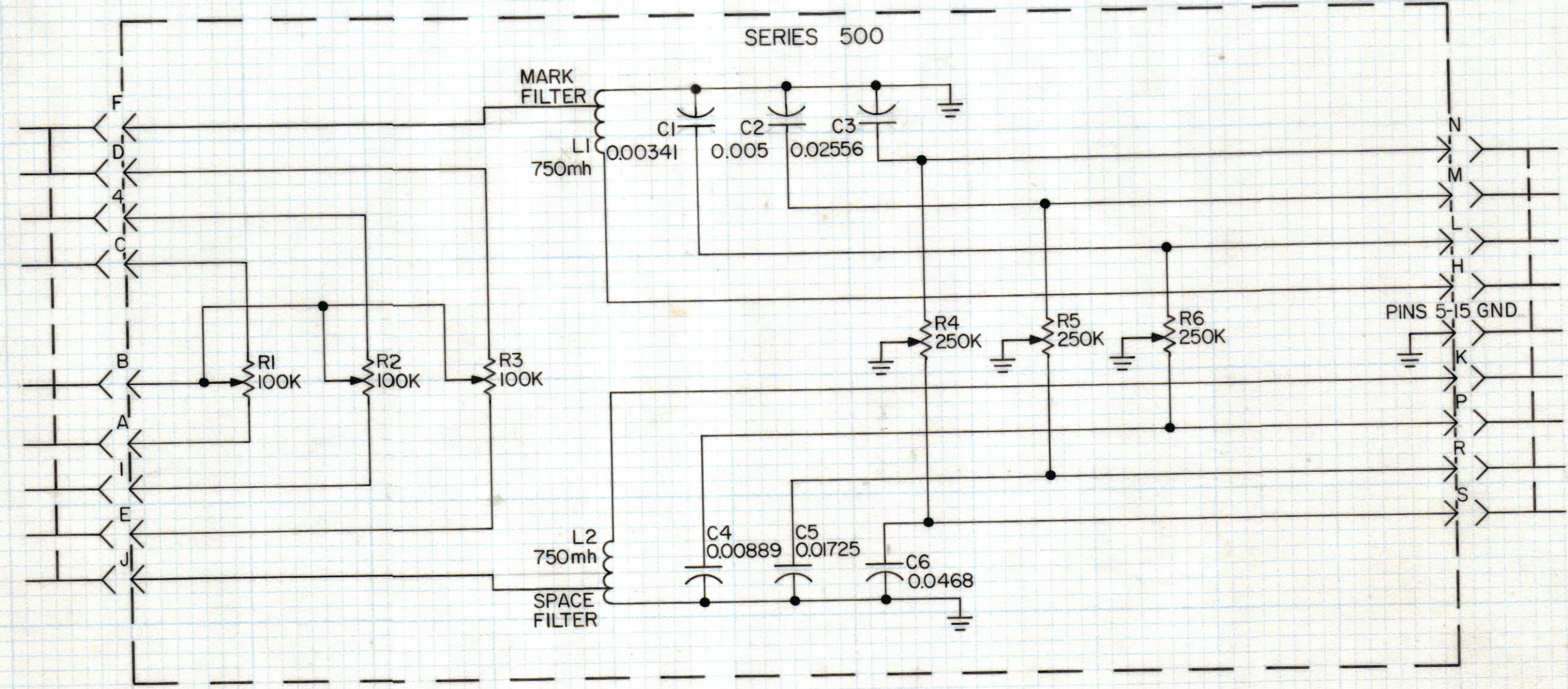


REVISIONS					
SYM	ZONE	DESCRIPTION	DATE	E.M.N. NO.	APPD
X		EXPERIMENTAL RELEASE	9-19-66	—	WJO
Ø		ORIGINAL RELEASE FOR PRODUCTION	9-27-66	Ø	RME



SYMBOLS	
LAST	MISSING
R6	
C6	
L2	

UNLESS OTHERWISE SPECIFIED
 1 - ALL RESISTOR VALUES ARE IN OHMS, 1/2 WATT.
 2 - ALL CAPACITOR VALUES ARE IN MICROFARADS.

MAXIMUM ALLOWABLE TOLERANCES HAVE BEEN DETERMINED AND ANY DEVIATIONS WILL BE CAUSE FOR REJECTION.

REF: PC308

QTY REQ	ITEM	PART NO.	DESCRIPTION	SYMBOL
A. DUDDLES BILL OF MATERIAL				
UNLESS OTHERWISE SPECIFIED DIMENSIONS ARE IN INCHES TOLERANCES ON FRACTIONS DECIMALS ANGLES ±1/64 ±.005 ±1/2°		FINAL APPROVAL <i>[Signature]</i>	DATE 9/23/66	THE TECHNICAL MATERIEL CORP. MAMARONECK, NEW YORK DIAGRAM, SCHEMATIC (DISCRIMINATOR CARD) CFA-2
MATERIAL		MECH. DES.	DATE	
FINISH		ELECT. DES.	DATE 9-23-66	
		CHECKED <i>[Signature]</i>	DATE	
		DRAWN DWAIN SERVICE	DATE	
APPROVED FOR BUSHIPS			CODE 82679	SIZE C
CONTRACT NO.			DWG. NO. CKI202	ISSUE Ø
			SCALE	SHEET OF

M/L RB