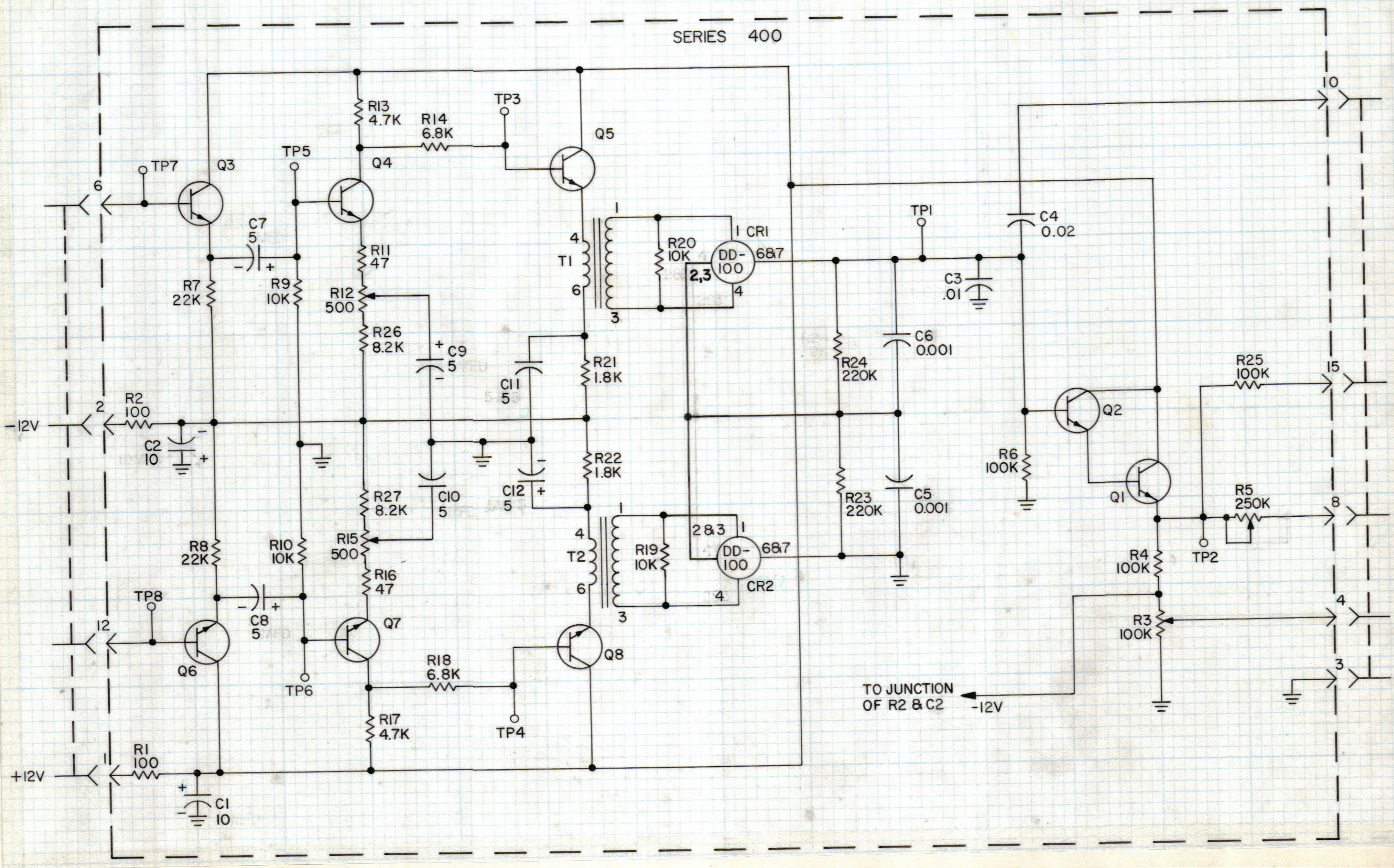


REVISIONS						
SYM	ZONE	DESCRIPTION	DATE	E.M.N. NO.	DRAFT	CHKD APPD
X		EXPERIMENTAL RELEASE	9.19.66		WLD	
Ø		ORIGINAL RELEASE FOR PRODUCTION	9.27.66		RME	
A		C5 & C6 WERE C13 & C14 DD-100 TERM 4 REV WITH "2 & 3"	1-12-67	17670	WLD	JCB/WH
B		REV. & UPDATED	8.13.68		HSE	JA EFM
C		C3 VALUE .01 WAS .0022	4.8.69	19371	GE	JA



SYMBOLS	
LAST	MISSING
R27	
C12	
CR2	
Q8	
TP8	

- UNLESS OTHERWISE SPECIFIED
- 1 - ALL RESISTOR VALUES ARE IN OHMS, 1/2 WATT.
  - 2 - ALL CAPACITOR VALUES ARE IN MICROFARADS.
  - 3 - ALL TRANSISTORS ARE 2N3646.

MAXIMUM ALLOWABLE TOLERANCES HAVE BEEN DETERMINED AND ANY DEVIATIONS WILL BE CAUSE FOR REJECTION.

REF: PC235

QTY REQ	ITEM	PART NO.	DESCRIPTION	SYMBOL
A. DUDDLES				
BILL OF MATERIAL				
THE TECHNICAL MATERIEL CORP. MAMARONECK, NEW YORK				
DIAGRAM, SCHEMATIC (DETECTOR AMPLIFIER CARD) CFA-2				
FINAL APPROVAL		DATE		ISSUE C
MECH. DES.		DATE		
ELECT. DES.		DATE		
CHECKED		DATE		
DRAWN DWAIN SERVICE		DATE		
APPROVED FOR BUSHIPS		CODE	SIZE	DWG. NO.
CONTRACT NO.		82679	C	CK1201
		SCALE	SHEET OF	

M.L.P.B.