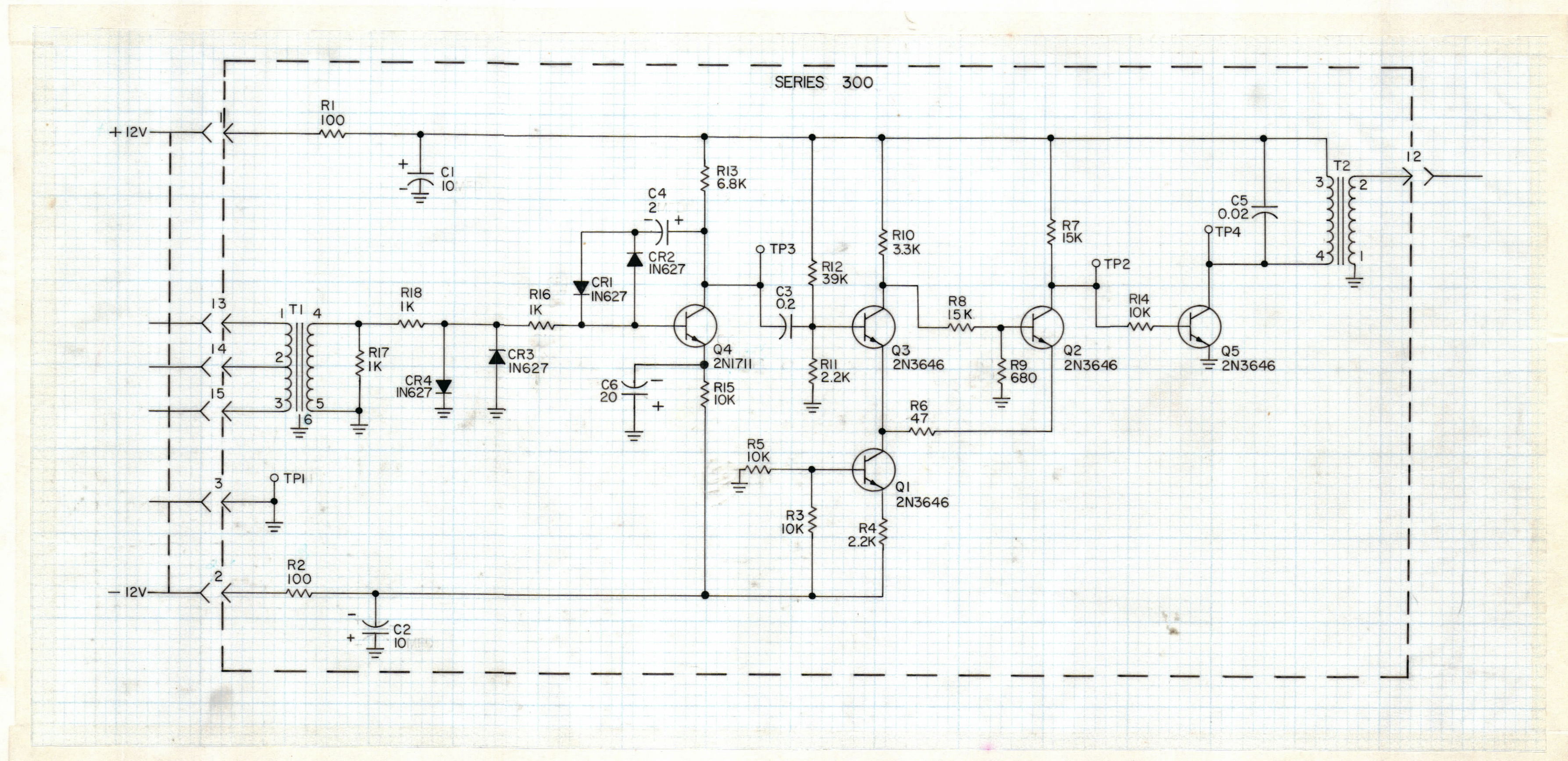


REVISIONS						
SYM	ZONE	DESCRIPTION	DATE	E.M.N.NO.	DRAFT	CHKD APPD
X		EXPERIMENTAL RELEASE	9-19-66		W	
Ø		ORIGINAL RELEASE FOR PRODUCTION	9-27-66		RME	
A		R8 WAS 2.7K	1-17-67	17691	RME	
B		C2, C6 RELOCATED	8-13-68			EFM



SYMBOLS	
LAST	MISSING
R18	
C6	
T2	
CR4	
Q5	
TP4	

UNLESS OTHERWISE SPECIFIED  
 1 - ALL RESISTOR VALUES ARE IN OHMS, 1/2 WATT.  
 2 - ALL CAPACITOR VALUES ARE IN MICROFARADS.

MAXIMUM ALLOWABLE TOLERANCES HAVE BEEN DETERMINED AND ANY DEVIATIONS WILL BE CAUSE FOR REJECTION.

REF: PC247

QTY REQ	ITEM	PART NO.	DESCRIPTION	SYMBOL
A. DUDDLES				
BILL OF MATERIAL				
UNLESS OTHERWISE SPECIFIED DIMENSIONS ARE IN INCHES TOLERANCES ON FRACTIONS DECIMALS ANGLES ±1/64 ±.005 ±1/2°				
MATERIAL		THE TECHNICAL MATERIEL CORP. MAMARONECK, NEW YORK		
FINISH		DIAGRAM, SCHEMATIC (INPUT CARD) CFA-2		
APPROVED FOR		CODE	SIZE	DWG. NO.
CONTRACT NO.		82679	C	CKI200
		SCALE	SHEET OF	
			1	

M.L.P.B.