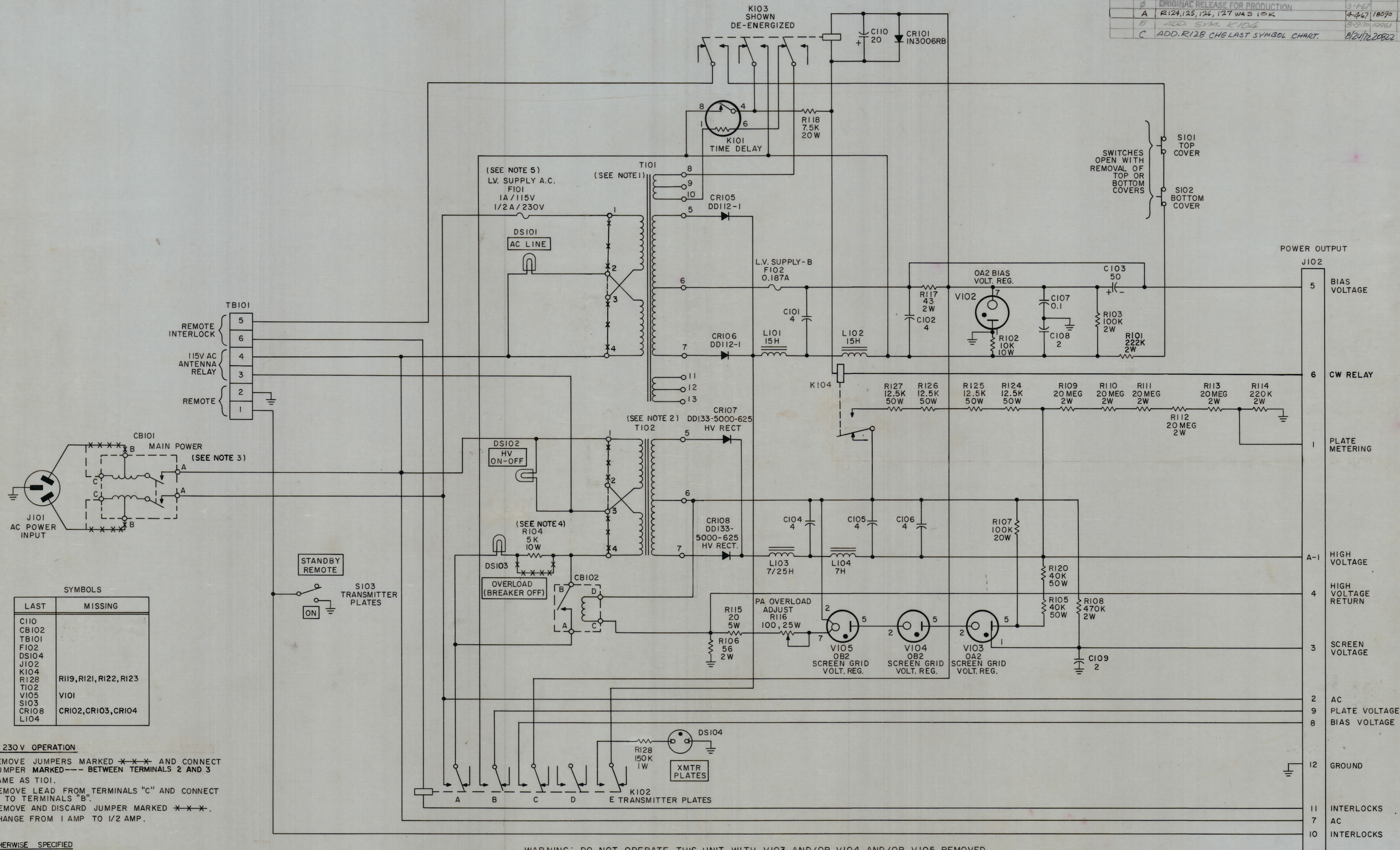


| REVISIONS | | | | | | |
|-----------|-----|---------------------------------|---------|------------|-------|------|
| ZONE | SYM | DESCRIPTION | DATE | E.M.N. NO. | DRAFT | CHKD |
| X | | EXPERIMENTAL RELEASE | 11-8-66 | X | RME | |
| X1 | | ON CR107E 10B 5000 WAS 500 | 3-1-67 | | | |
| Ø | | ORIGINAL RELEASE FOR PRODUCTION | 3-1-67 | | LAR | |
| A | | R124, 125, 126, 127 WAS 3 10K | 4-2-67 | 18090 | | |
| B | | ADD SYM. K104 | 5-15-70 | 10961 | GE | |
| C | | ADD R128 CHG LAST SYMBOL CHART. | 8/24/72 | 20822 | GE | |



SYMBOLS

| LAST | MISSING |
|-------|------------------------|
| C110 | |
| CB102 | |
| TB101 | |
| F102 | |
| DS104 | |
| J102 | |
| K104 | R119, R121, R122, R123 |
| R128 | |
| T102 | |
| V105 | V101 |
| S103 | |
| CR108 | CR102, CR103, CR104 |
| L104 | |

- NOTE: FOR 230V OPERATION
- 1- T101 REMOVE JUMPERS MARKED * * * AND CONNECT JUMPER MARKED --- BETWEEN TERMINALS 2 AND 3
 - 2- T102 SAME AS T101.
 - 3- CB101 REMOVE LEAD FROM TERMINALS "C" AND CONNECT IT TO TERMINALS "B".
 - 4- R104 REMOVE AND DISCARD JUMPER MARKED * * *.
 - 5- F101 CHANGE FROM 1 AMP TO 1/2 AMP.

UNLESS OTHERWISE SPECIFIED
 ALL FUSES ARE SLOW BLOW.
 TB101 NO.5 AND 6 NORMALLY JUMPED
 UNLESS REMOTE INTERLOCKING IS REQUIRED.
 ALL RESISTORS ARE IN OHMS 1/2 WATT.
 ALL CAPACITORS ARE IN MICROFARADS.

WARNING: DO NOT OPERATE THIS UNIT WITH V103 AND/OR V104 AND/OR V105 REMOVED

| THE TECHNICAL MATERIEL CORP. MAMARONECK, NEW YORK | | | |
|--|------|----------------|-----------|
| TITLE DIAGRAM, SCHEMATIC (PSP350C) | | | |
| DRAWN | DATE | FINAL APPROVAL | DATE |
| CKB | | W. B. 28 | 3/1/67 |
| CHECKED | DATE | | |
| ELECT. DES. | DATE | | |
| MECH. DES. | DATE | | |
| | | CK1196 | |
| | | SHEET | REV. LTR. |