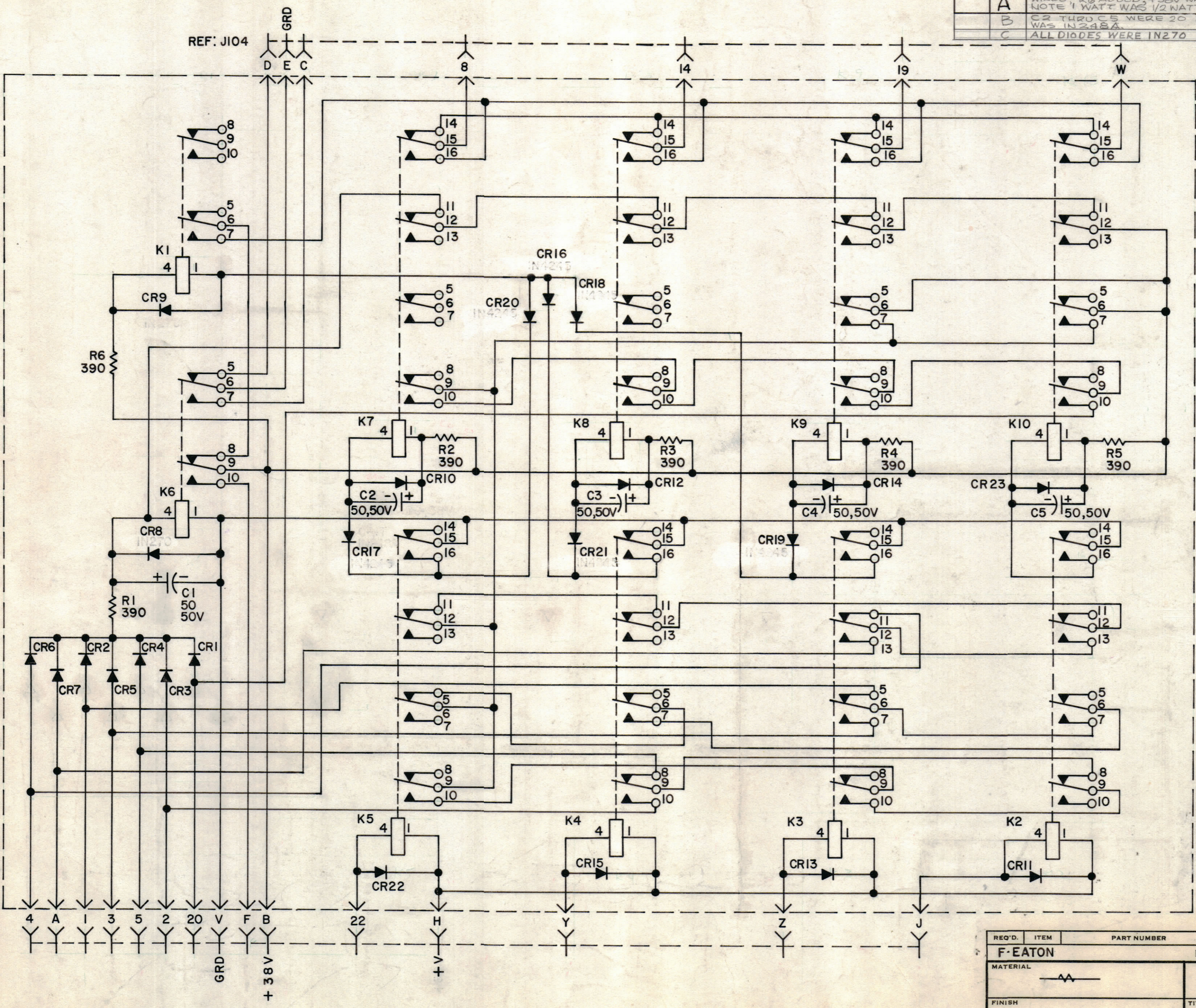


REVISIONS						
ZONE	SYM	DESCRIPTION	DATE	E.M.N. NO.	DRAFT	CHKD APPD
X		EXPERIMENTAL RELEASE	9-13-66			HLA
Ø		ORIGINAL RELEASE FOR PRODUCTION	9-19-66	Ø		RME
A		R1 THRU R5 WERE B2; POS 8 & 9 ON K10 REWIRED; R6 ADDED; +38V WAS +28V; ON 'RES' NOTE '1 WATT' WAS 1/2 WATT.	1-12-67	17663	440	HLA
B		C2 THRU C5 WERE 20; CR17, 19 & 21 DT/No. WAS IN 248A.	2-13-67	17816	440	HLA
C		ALL DIODES WERE 1N270	7-6-67	18334		L.A.K.



UNLESS OTHERWISE SPECIFIED
 ALL RESISTANCE VALUES ARE IN OHMS, 1 WATT.
 ALL CAPACITANCE VALUES ARE IN MICROFARADS.
 ALL DIODES ARE 1N4245

RELAY COIL RATING CHART			
SYMBOL	VOLTAGE	CURRENT	RESISTANCE
K1, K6	24 VDC	—	700
K2 THRU K5	—	4.5MADC	10K
K7 THRU K10	24 VDC	—	700

LAST SYMBOLS	
C5	
CR23	
K10	
R6	

CK1194
C

REF: PC285

REQ'D.	ITEM	PART NUMBER	DESCRIPTION	SYMBOL
F-EATON LIST OF MATERIAL				
MATERIAL		THE TECHNICAL MATERIEL CORP. MAMARONECK, NEW YORK		
FINISH		TITLE DIAGRAM, SCHEMATIC RELAY ASSEMBLY		
UNLESS OTHERWISE SPECIFIED DIMENSIONS ARE IN INCHES AND INCLUDE CHEMICALLY APPLIED OR PLATED FINISHES		DRAWN H-AUSTIN	DATE 9/12/66	FINAL APPROVAL [Signature]
DECIMALS .X ± .05 .XX ± .01 .XXX ± .005		ELECT. DES. [Signature]		DATE 9/15/66
FRACTIONS ± 1/64 ANGLES ± 0° 30'		MECH. DES. [Signature]		DATE [Signature]
TOLERANCES		SHEET		REV. LTR.

LRCA-1		
QTY./UNIT	MODEL USED ON	ASS'Y. NO.
SCALE	CODE	
THE CONTENTS OF THIS DRAWING ARE THE EXCLUSIVE PROPERTY OF THE TECHNICAL MATERIEL CORP. ITS UNAUTHORIZED USE OR REPRODUCTION IN WHOLE OR IN PART IS STRICTLY FORBIDDEN.		

NOTES