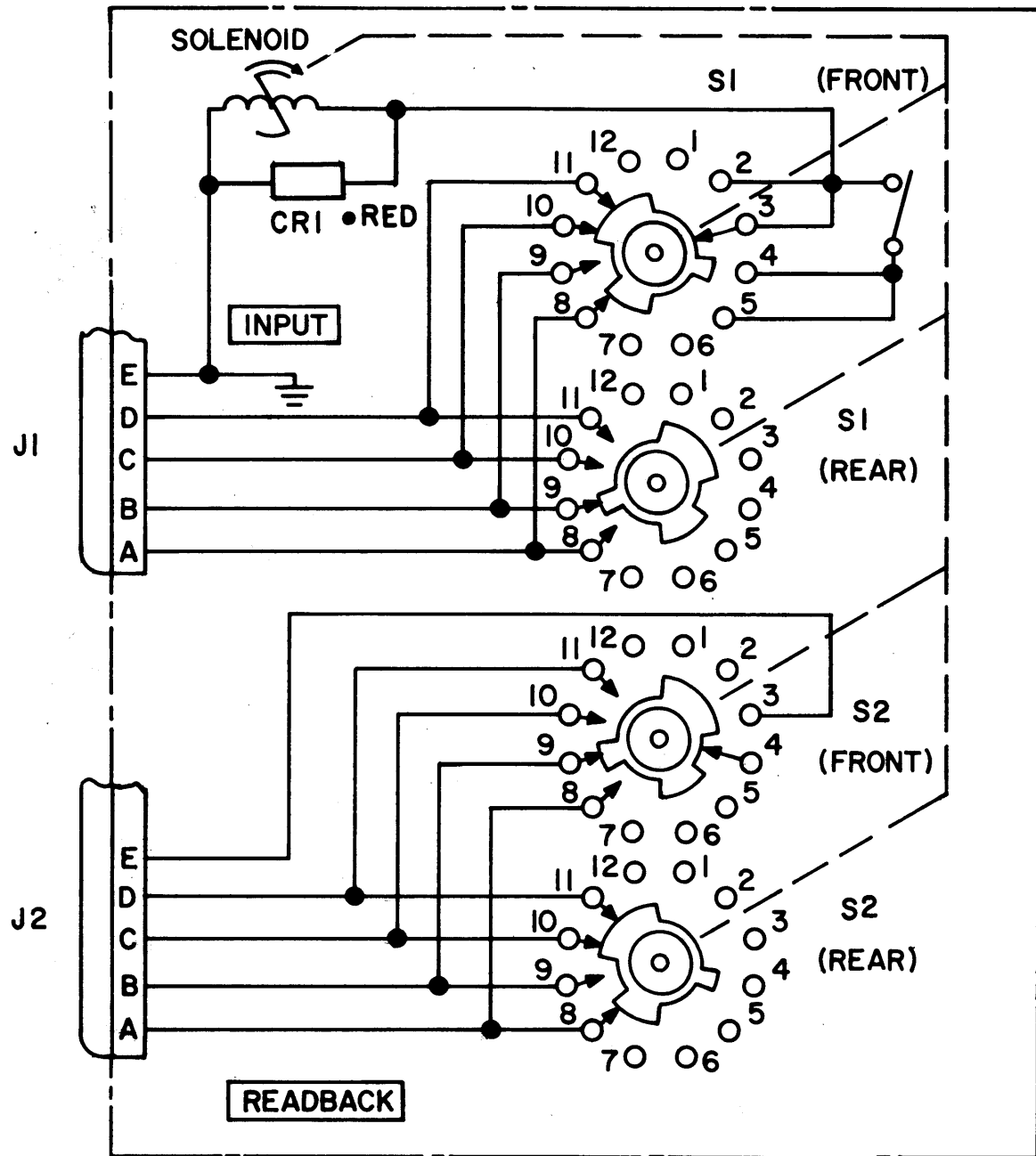


CK1186



REVISIONS

SYM	DESCRIPTION	DATE	E.M.N. NO.	DRAFT	CHKD	APPD
X	EXPERIMENTAL RELEASE	8-19-66	-A-	Jc	Jc	
Ø	ORIGINAL RELEASE FOR PRODUCTION	2-16-67		L.A.K		

REQ'D.	ITEM	PART NUMBER	DESCRIPTION	SYMBOL
POSE				
LIST OF MATERIAL				
MATERIAL		THE TECHNICAL MATERIEL CORP. MAMARONECK, NEW YORK		
FINISH		DIAGRAM, SCHEMATIC		
UNLESS OTHERWISE SPECIFIED DIMENSIONS ARE IN INCHES AND INCLUDE CHEMICALLY APPLIED OR PLATED FINISHES		DRAWN J B	DATE 8-15-66	FINAL APPROVAL <i>[Signature]</i>
		CHECKED <i>[Signature]</i>	DATE 1-17-67	DATE 2/15/67
		ELECT. DES. <i>[Signature]</i>	DATE	DATE
		MECH. DES.	DATE	DATE
DECIMALS .X ± .05 .XX ± .01 .XXX ± .005		TOLERANCES	FRACTIONS ± 1/64 AN LES ± 0° 30'	DATE
THE CONTENTS OF THIS DRAWING ARE THE EXCLUSIVE PROPERTY OF THE TECHNICAL MATERIEL CORP. ITS UNAUTHORIZED USE OR REPRODUCTION IN WHOLE OR IN PART IS STRICTLY FORBIDDEN.		CK1186		DATE
		SHEET		REV. LTR.

	SMEB-1	AX 541
Q'TY./UNIT	MODEL USED ON	ASS'Y. NO.
SCALE	CODE	

NOTES