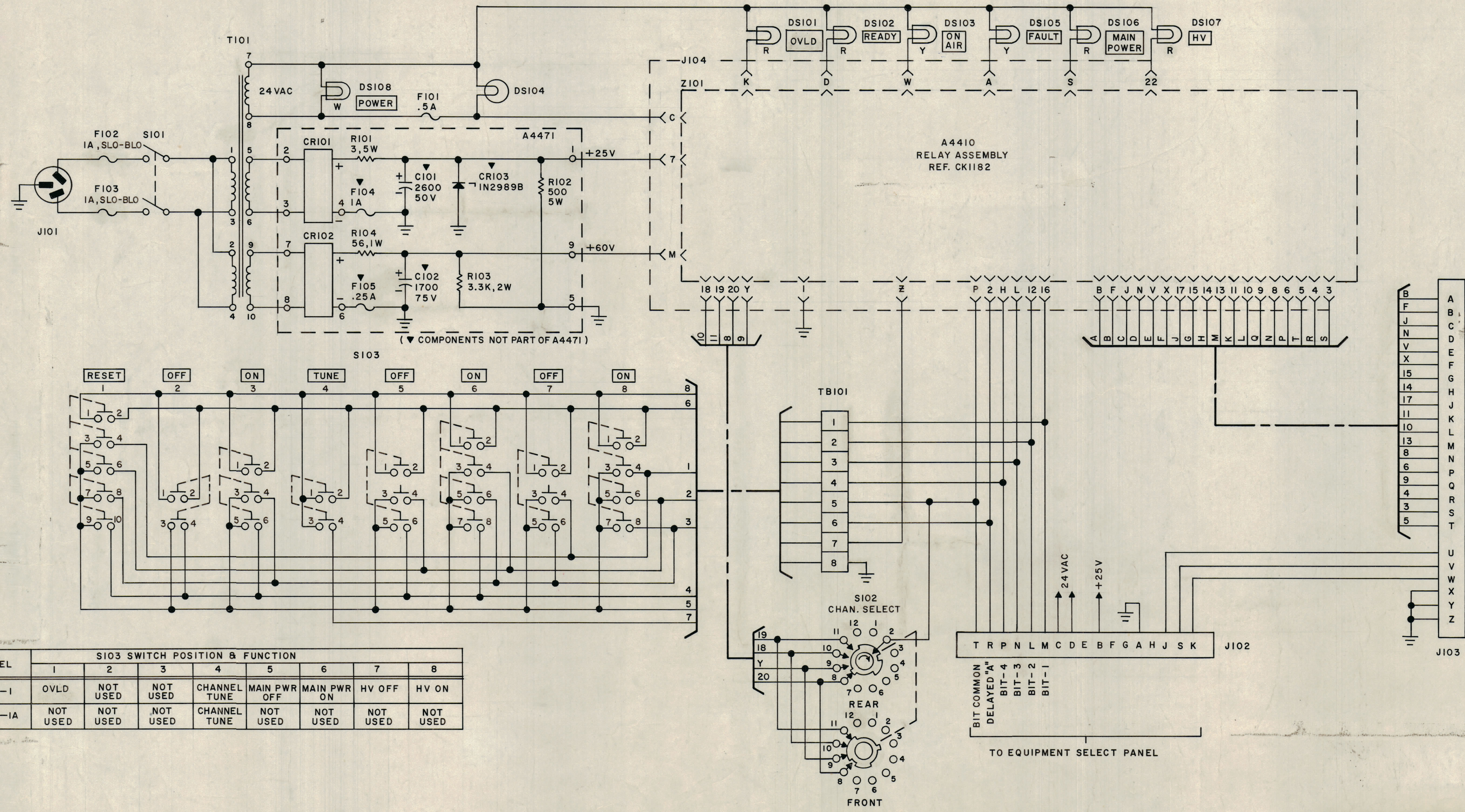


REVISIONS						
ZONE	SYM	DESCRIPTION	DATE	E.M.N. NO.	DRAFT	CHKD.
X1		ON CHART COLUMN 1 & ON DS101 OVL'D WAS "HV RESET"	8-17-66	X1	EDL	
X2		LSCA-1A ADDED TO CHART	9-12-66	X2	WHD	
Ø		ORIGINAL RELEASE FOR PRODUCTION	9-12-66	MM	Je	



Terminal	Signal	Group
A	FAULT	
B	READY	
C	HV RESET	
D	MAIN POWER	
E	ON AIR	
F	HV	
G	NC	BIT-1
H	COMMON	
I	NO	BIT-2
J	NC	
K	COMMON	BIT-3
L	NO	
M	NC	BIT-4
N	COMMON	
O	NO	BIT-5
P	COMMON	
Q	NO	
R	NC	
S	COMMON	
T	NO	
U	NC	
V	COMMON	
W	NO	
X		
Y		
Z		

MODEL	S103 SWITCH POSITION & FUNCTION							
	1	2	3	4	5	6	7	8
LSCA-1	OVL'D	NOT USED	NOT USED	CHANNEL TUNE	MAIN PWR OFF	MAIN PWR ON	HV OFF	HV ON
LSCA-1A	NOT USED	NOT USED	NOT USED	CHANNEL TUNE	NOT USED	NOT USED	NOT USED	NOT USED

- UNLESS OTHERWISE SPECIFIED -
 1-ALL RESISTOR VALUES ARE IN OHMS.
 2-ALL CAPACITOR VALUES ARE IN MICROFARADS.

NOTES

LSCA-1		ASSY. NO.
QTY/UNIT	MODEL USED ON	
SCALE	CODE	

REQ'D	ITEM	PART NUMBER	DESCRIPTION	SYMBOL
EATON LIST OF MATERIAL				
MATERIAL				
FINISH				
UNLESS OTHERWISE SPECIFIED DIMENSIONS ARE IN INCHES AND INCLUDE CHEMICALLY APPLIED OR PLATED FINISHES				
DECIMALS	TOLERANCES		FRACTIONS	ANGLES
.X ± .05	± 1/64		1/16	± 0° 30'
.XX ± .01				
.XXX ± .005				

CK1183