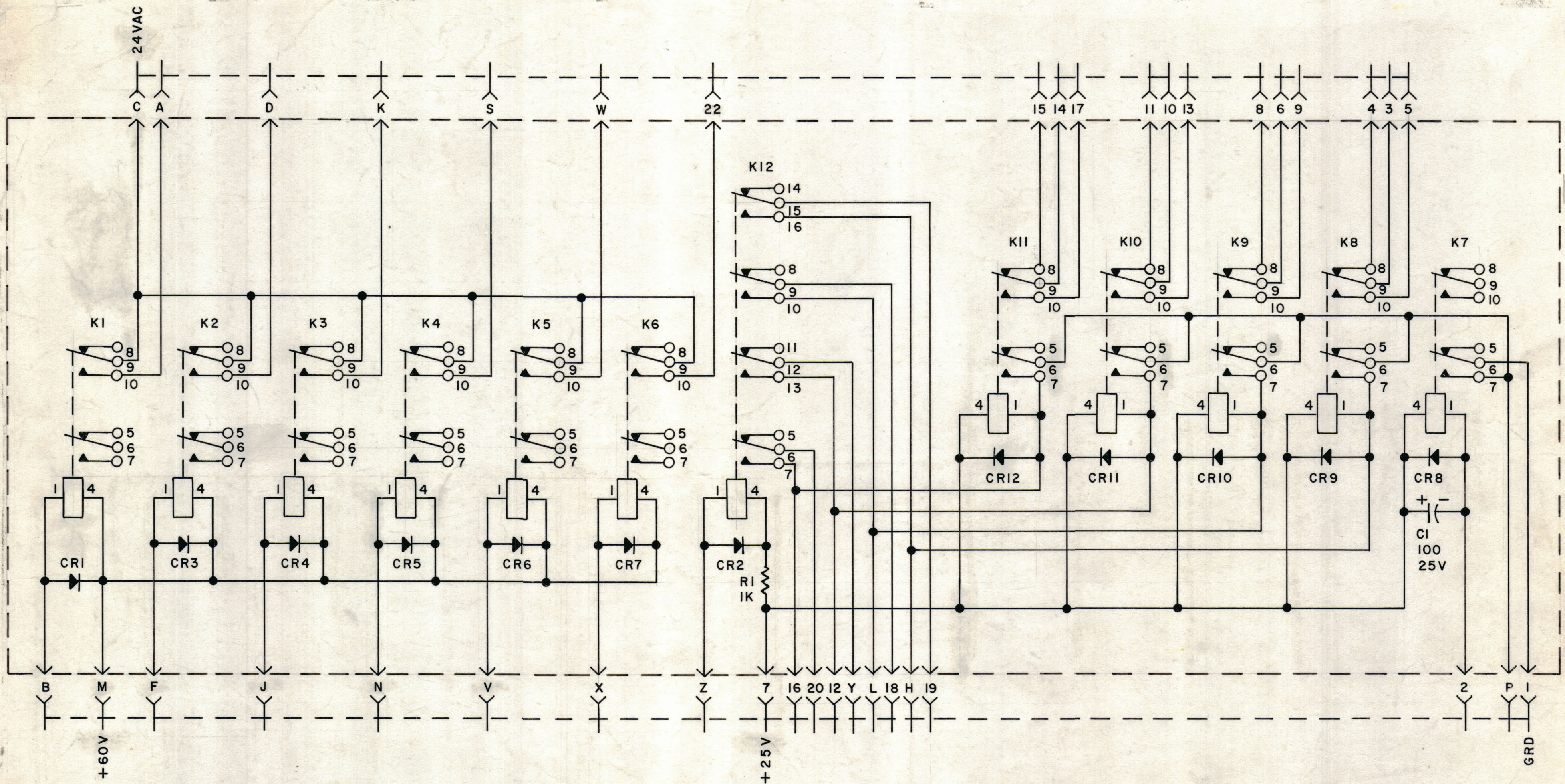


REVISIONS							
ZONE	SYM	DESCRIPTION	DATE	E.M.N. NO.	DRAFT	CHKD	APPD
	Ø	ORIGINAL RELEASE FOR PRODUCTION	9.12.66		WTD		
	A	DIODE PART NO'S WERE IN270	7-6-67	18334	L.A.K.		



- UNLESS OTHERWISE SPECIFIED -
- 1-ALL RESISTOR VALUES ARE IN OHMS, 1/2 WATT.
 - 2-ALL CAPACITOR VALUES ARE IN MICROFARADS.
 - 3-ALL DIODES ARE IN4245

RELAY COIL RATING CHART			
SYMBOL	VOLTAGE	CURRENT	RESISTANCE
K1 THRU K6	—	3.1 MA	10K
K7	—	4.1 MA	5 K
K8 THRU K11	24VDC	—	700
K12	—	13 MA	1 K

REF. PC278

REQ'D.	ITEM	PART NUMBER	DESCRIPTION	SYMBOL
EATON LIST OF MATERIAL				
MATERIAL		THE TECHNICAL MATERIEL CORP. MAMARONECK, NEW YORK		
FINISH		TITLE DIAGRAM, SCHEMATIC		
UNLESS OTHERWISE SPECIFIED DIMENSIONS ARE IN INCHES AND INCLUDE CHEMICALLY APPLIED OR PLATED FINISHES		DRAWN J. LESHINSKI CHECKED DATE 8-3-66 DATE 9/16/66	FINAL APPROVAL DATE 9/9/66 CK1182	DATE 9/9/66 A
DECIMALS .X ± .05 .XX ± .01 .XXX ± .005	TOLERANCES	FRACTIONS ± 1/64 ANGLES ± 0° 30'	ELECT. DES. MECH. DES.	SHEET REV. LTR.

NOTES

THE CONTENTS OF THIS DRAWING ARE THE EXCLUSIVE PROPERTY OF THE TECHNICAL MATERIEL CORP. ITS UNAUTHORIZED USE OR REPRODUCTION IN WHOLE OR IN PART IS STRICTLY FORBIDDEN.

CK1182
A