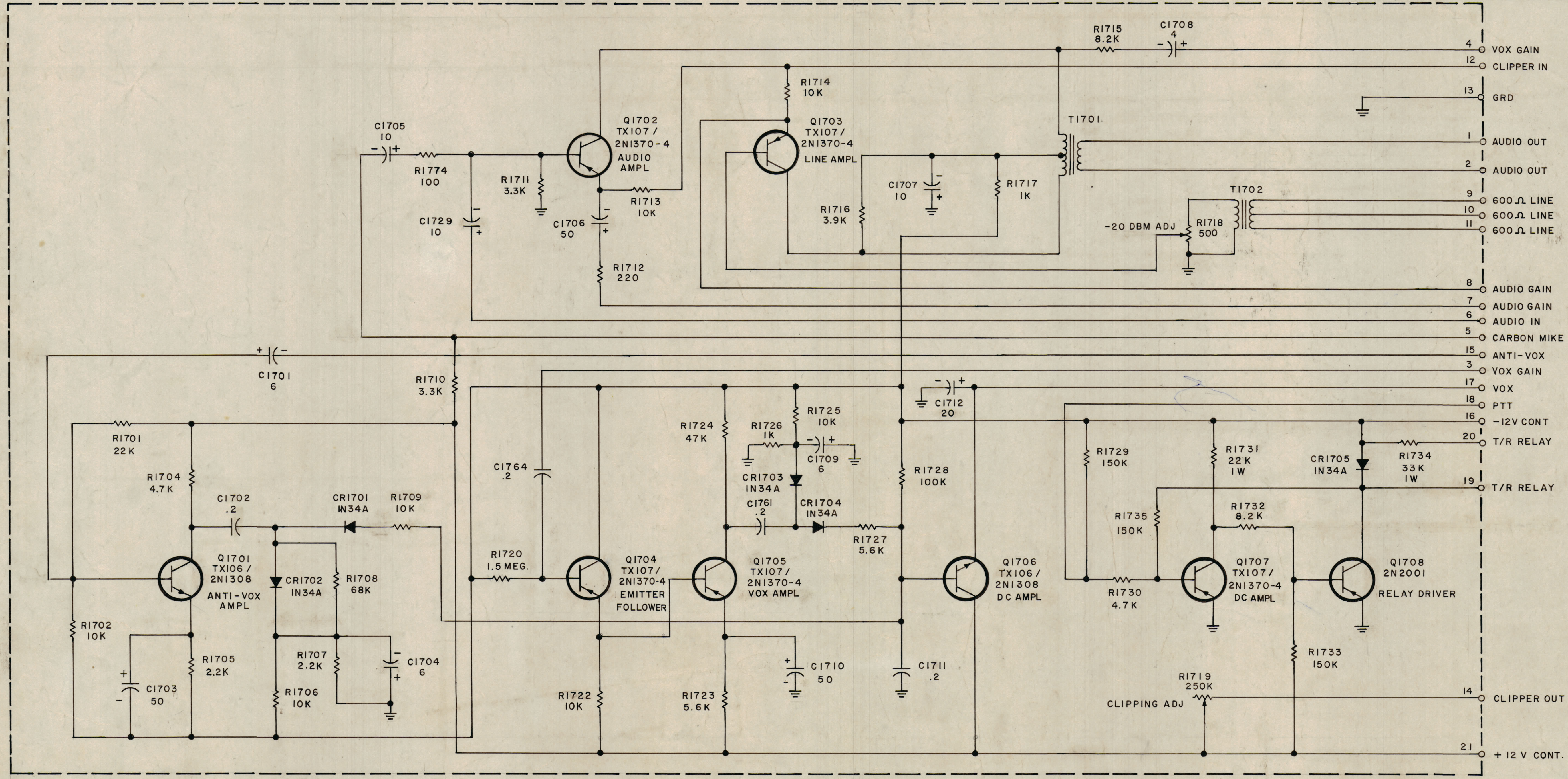


REVISIONS						
ZONE	SYM	DESCRIPTION	DATE	E.M.N. NO.	DRAFT	CHKD.
X		EXPERIMENTAL RELEASE	8/19/66		DME	
X		ADD. POLARITY TO C1705; R1774 WAS "R1744"; R1705 WAS 22K; C1712 WAS 75.	8/30/66		ALA	
		ORIGINAL RELEASE FOR PRODUCTION	2/16/67		L.A.K.	



LAST SYMBOLS	MISSING SYMBOLS
C1764 CR1704 Q1708	C1713 THRU C1728 C1730 THRU C1763
R1774 T1702	R1703, R1721, R1735 THRU R1773

— UNLESS OTHERWISE SPECIFIED —
ALL RESISTORS ARE IN OHMS, 1/2 W.
ALL CAPACITORS ARE IN MICRO-FARADS.

NOTES

I		SMEA-1		ASSY. NO.	
Q'TY/UNIT	SCALE	MODEL USED ON	CODE	DATE	DATE

REQ'D	ITEM	PART NUMBER	DESCRIPTION	SYMBOL
O-POSE LIST OF MATERIAL				
MATERIAL				
FINISH				
THE TECHNICAL MATERIEL CORP. MAMARONECK, NEW YORK				
TITLE DIAGRAM, SCHEMATIC TRANSMITTER AUDIO BOARD				
DRAWN G. D. L.		DATE 8-3-66		DATE 2/15/67
CHECKED		DATE		DATE
ELECT. DES.		DATE		DATE
MECH. DES.		DATE		DATE
CK 1171				REV. LTR.

THE CONTENTS OF THIS DRAWING ARE THE EXCLUSIVE PROPERTY OF THE TECHNICAL MATERIEL CORP. ITS UNAUTHORIZED USE OR REPRODUCTION IN WHOLE OR IN PART IS STRICTLY FORBIDDEN.

UNLESS OTHERWISE SPECIFIED DIMENSIONS ARE IN INCHES AND INCLUDE CHEMICALLY APPLIED OR PLATED FINISHES

DECIMALS: .X ± .05, .XX ± .01, .XXX ± .005
FRACTIONS: 1/64 ± 1/64, ANGLES: ± 0° 30'