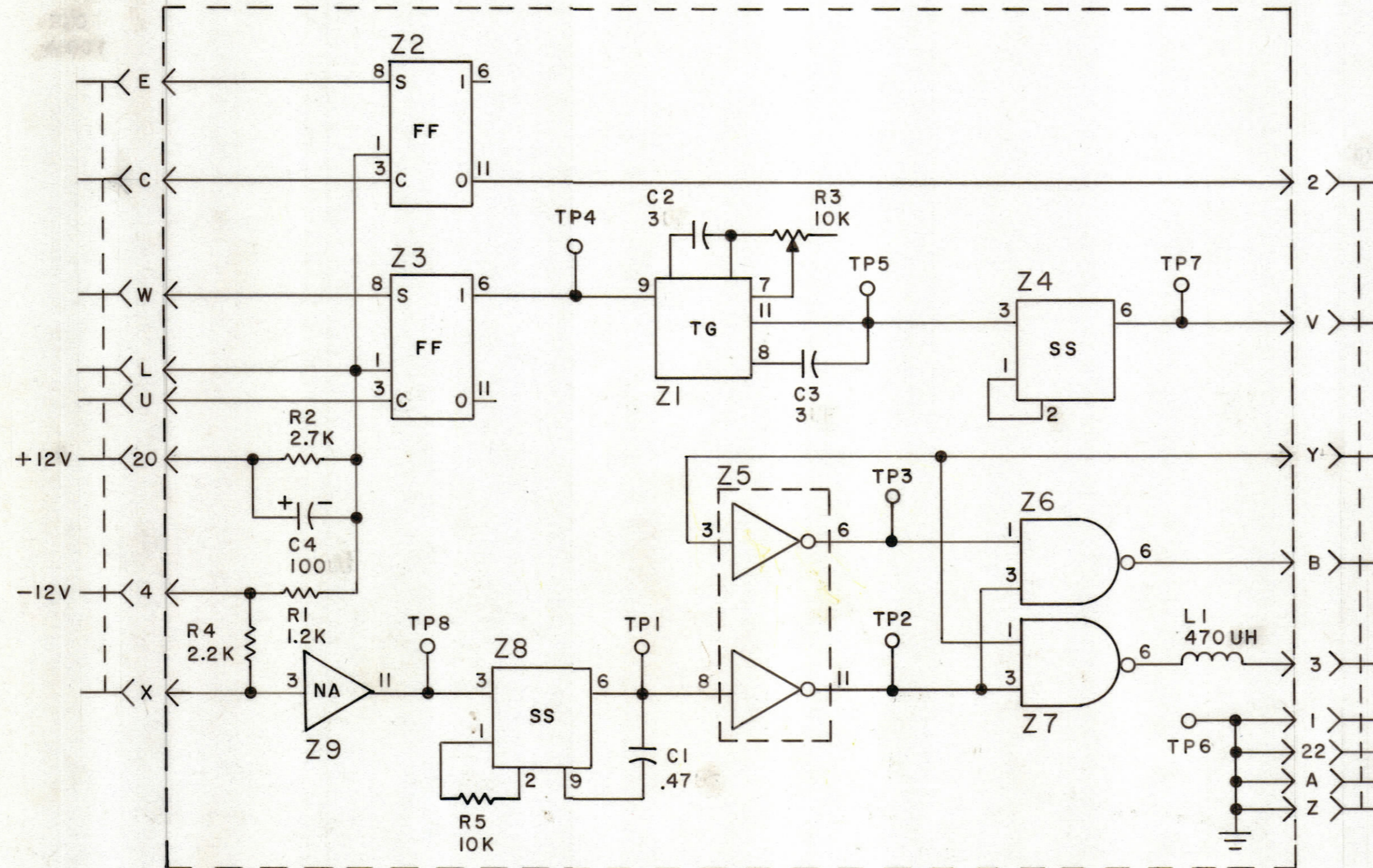


REVISIONS							
ZONE	SYM	DESCRIPTION	DATE	E.M.N. NO.	DRAFT	CHKD	APPD
		Original Release for Production	7/26/66			HCA	



UNLESS OTHERWISE SPECIFIED
 1-ALL RESISTOR VALUES ARE IN OHMS 1/2 WATT
 2-ALL CAPACITOR VALUES ARE IN UF

MODULE VOLTAGE & GRD CHART

SYMBOL	PIN CONNECTIONS		
	+12V	-12V	GRD
Z1 THRU Z4 Z6 THRU Z9	10	2	5
Z5	10	2 & 9	4 & 5

REF: PC 251

REQ'D.	ITEM	PART NUMBER	DESCRIPTION	SYMBOL
EATON LIST OF MATERIAL				
MATERIAL		THE TECHNICAL MATERIEL CORP. MAMARONECK, NEW YORK		
FINISH		TITLE DIAGRAM, SCHEMATIC TIMING CIRCUIT		
UNLESS OTHERWISE SPECIFIED DIMENSIONS ARE IN INCHES AND INCLUDE CHEMICALLY APPLIED OR PLATED FINISHES		DRAWN J. LESHINSKI	DATE 5-12-66	FINAL APPROVAL <i>[Signature]</i>
DECIMALS .X ± .05 .XX ± .01 .XXX ± .005		CHECKED JL/G.D.L.	DATE 7/13/66	DATE 7/25/66
FRACTIONS ± 1/64 ANGLES ± 0° 30'		ELECT. DES. MECH. DES.	DATE 7/22/66	DATE
TOLERANCES		CK1144		
		SHEET		
		REV. LTR.		

RTPH-1		A4365
Q'TY./UNIT	MODEL USED ON	ASS'Y. NO.
SCALE	CODE	

NOTES
 THE CONTENTS OF THIS DRAWING ARE THE EXCLUSIVE PROPERTY
 OF THE TECHNICAL MATERIEL CORP. ITS UNAUTHORIZED USE OR
 REPRODUCTION IN WHOLE OR IN PART IS STRICTLY FORBIDDEN.

CK1144