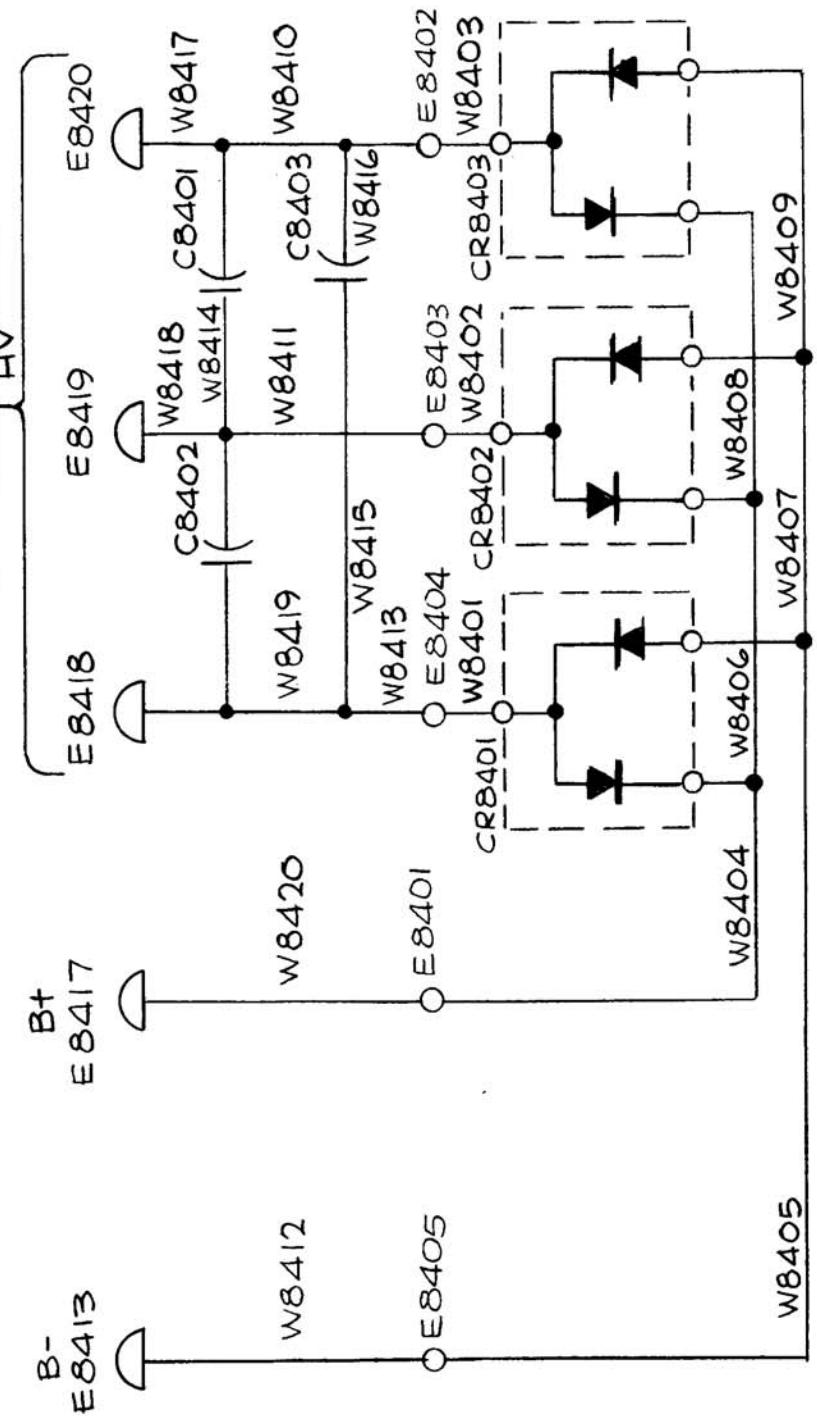


CK1119 A

USED ON
REQ. PER UNIT
KIT-258
MODEL
ABS'Y. NO.
DATE
4-21-66



REQ. ITEM	PART NO.	DESCRIPTION	SYMBOL
		F. BUDETTI	
		THE TECHNICAL MATERIEL CORP. MAMARONECK, NEW YORK	
		DIAGRAM, SCHEMATIC	
		STOCK SIZE	
		MATERIAL	
		TYPE & TEMPER HEAT TREAT. SPEC.	
		FINISH & SPEC. NO.	
		ELEC. DES. APP. MECH. DES. APP.	
		CHECKED	
		DRAWN	
		FINAL APPROVAL	
		CK1119	A

DATE	CH. NO.	DRAFTS	CHECKER	ENG. APP.
5/23/66	16891	Jc	Jc	Jc
7.11.66	A	Jc	Jc	Jc
6-11-66	A	Jc	Jc	Jc

DESCRIPTION	SCALE	CODE
DIODE SYMBOLS CLARIFIED		
ORIGINAL RELEASE FOR PRODUCTION		
W#S ADDED		

UNLESS OTHERWISE SPECIFIED
DIMENSIONS ARE IN INCHES AND INCLUDE
CHEMICALLY APPLIED OR PLATED FINISHES

TOLERANCES

FRACTIONS
± 1/64
ANGLES
± 0° 30'

DECIMALS
.X ± .05
.XX ± .01
.XXX ± .005