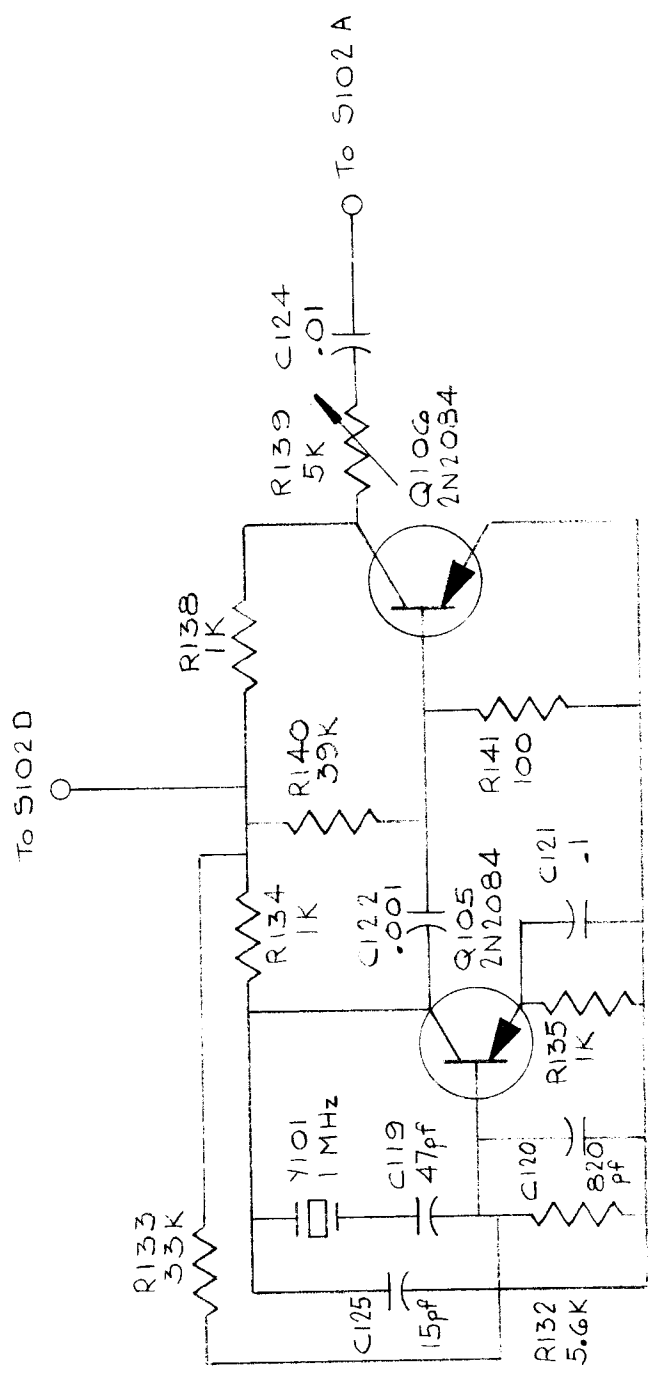


ISSUE	ITEM	CHANGED FROM	DATE	CH. NO.	DRAFTS	CHECKED	ENG. APP.	REQ.	ITEM	PART NO.	DESCRIPTION	SYMBOL
Ø		PRODUCTION RELEASE	DEC. 15-70		Ø	<i>[Signature]</i>	<i>[Signature]</i>					

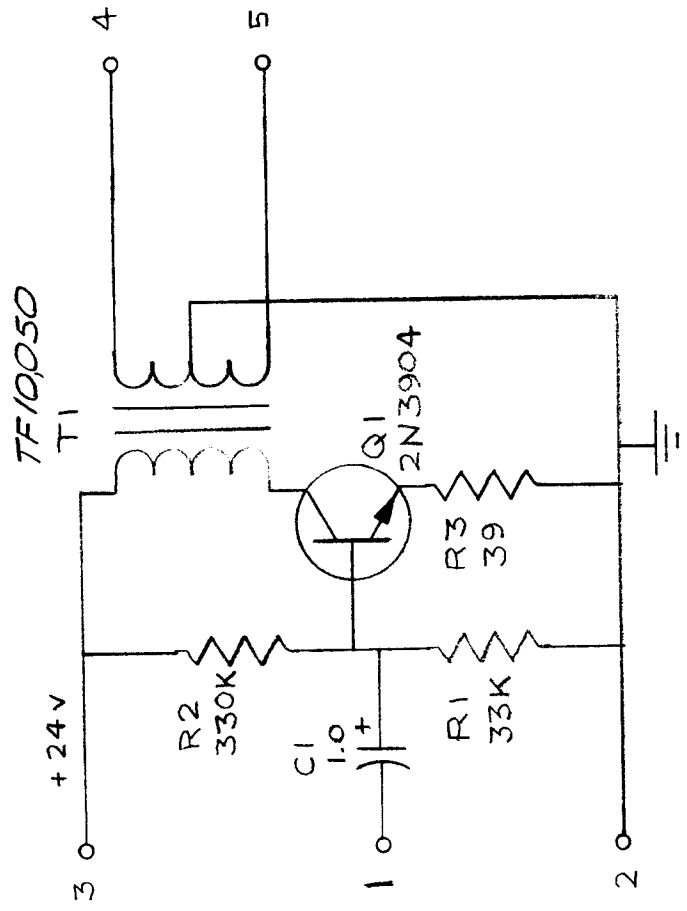


RESISTANCE IN OHMS.  
 CAPACITANCE IN  $\mu$ F  
 INDUCTANCE IN  $\mu$ H  
 UNLESS OTHERWISE STATED.

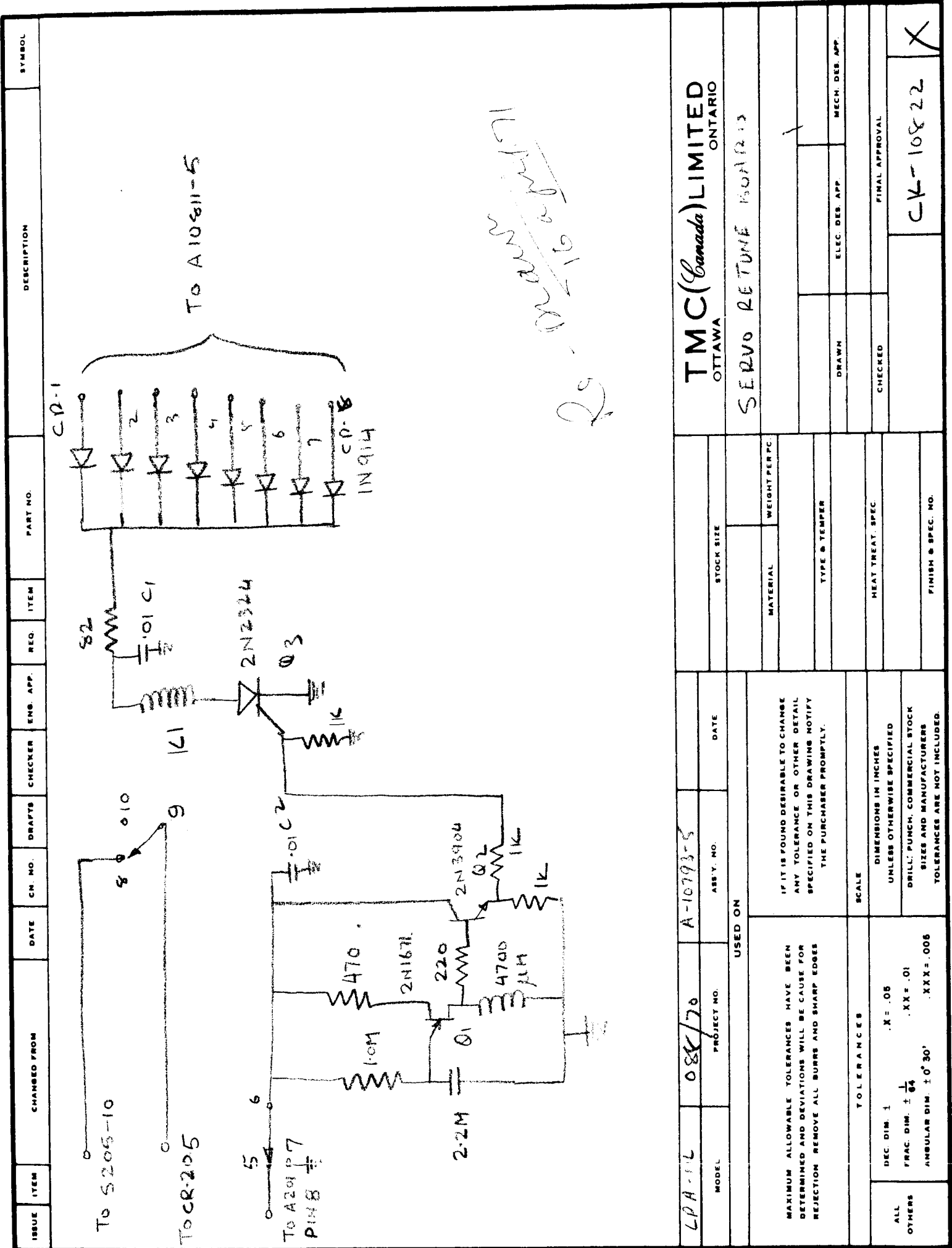
REF. PC10011-5

LMC -10	PROJECT NO. 046	DATE DEC. 15-70	STOCK SIZE	TMC (Canada) LIMITED OTTAWA
MODEL	ASSY. NO.	USED ON	MATERIAL	SCHEMATIC DIAGRAM
		IF IT IS FOUND DESIRABLE TO CHANGE ANY TOLERANCE OR OTHER DETAIL SPECIFIED ON THIS DRAWING NOTIFY THE PURCHASER PROMPTLY.	WEIGHT PER PC.	OSCILLATOR
		SCALE	TYPE & TEMPER.	G.C. THOMPSON
		MAXIMUM ALLOWABLE TOLERANCES HAVE BEEN DETERMINED AND DEVIATIONS WILL BE CAUSE FOR REJECTION REMOVE ALL BURRS AND SHARP EDGES	HEAT TREAT. SPEC.	ELEC. DES. APP. <i>[Signature]</i>
		TOLERANCES DEC. DIM. $\pm .05$ FRAC. DIM. $\pm \frac{1}{64}$ ANGULAR DIM. $\pm 0'30''$	FINISH & SPEC. NO.	MECH. DES. APP.
ALL OTHERS		DIMENSIONS IN INCHES UNLESS OTHERWISE SPECIFIED DRILL, PUNCH, COMMERCIAL STOCK SIZES AND MANUFACTURERS TOLERANCES ARE NOT INCLUDED.		CHECKED <i>[Signature]</i>
				FINAL APPROVAL
				CK10804 Ø

ISSUE	CHANGED FROM	DATE	CN. NO.	DRAFTS	CHECKER	ENB. APP.	REQ.	ITEM	PART NO.	DESCRIPTION	SYMBOL
Ø	REL TO PROD	20 JAN 71		JDR							

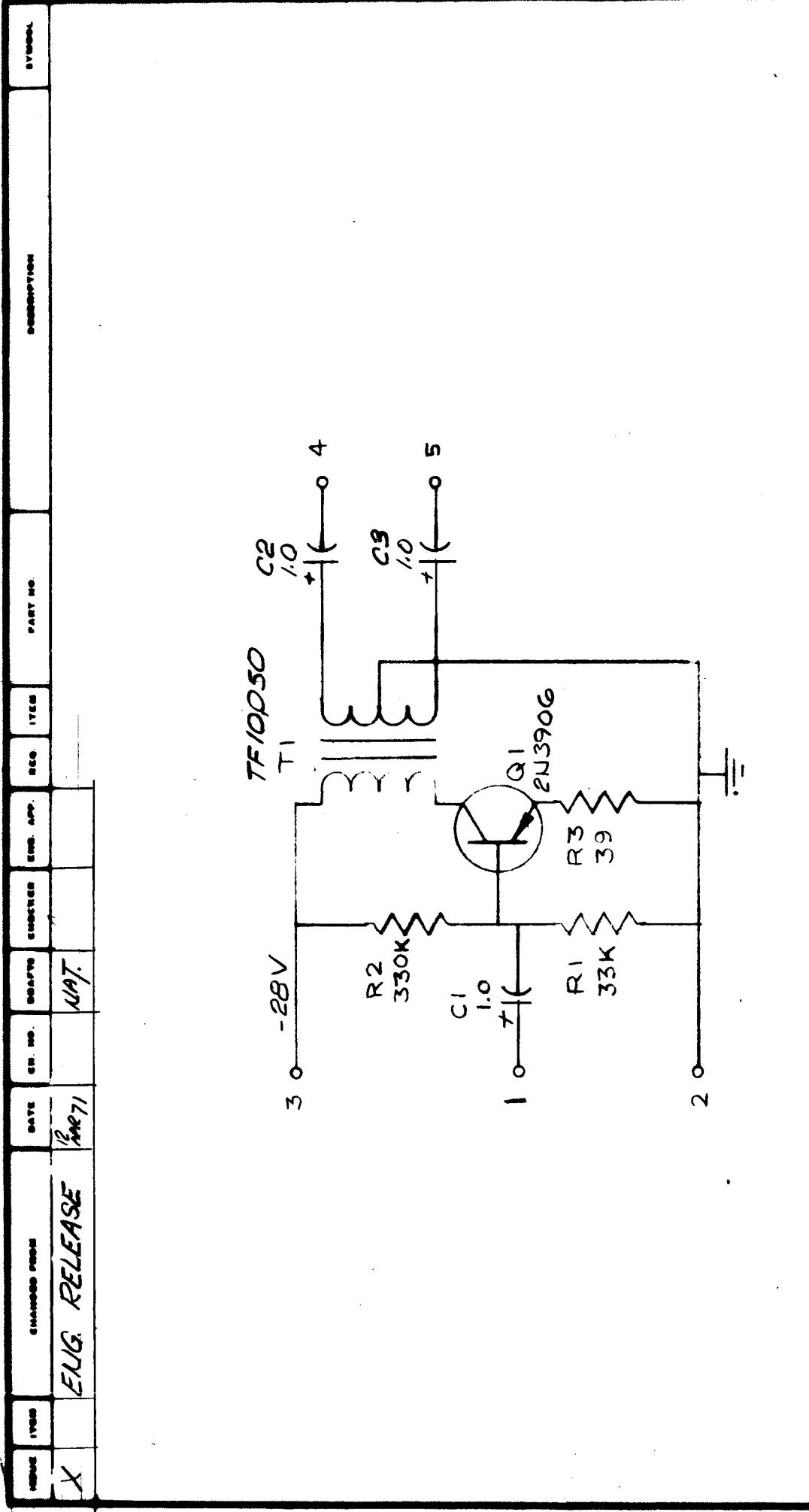


SME-5		107/71		20 JAN 71		DATE	
MODEL		PROJECT NO.		ASS'Y. NO.		STOCK SIZE	
TOLERANCES				IF IT IS FOUND DESIRABLE TO CHANGE ANY TOLERANCE OR OTHER DETAIL SPECIFIED ON THIS DRAWING NOTIFY THE PURCHASER PROMPTLY.			
ALL OTHERS				SCALE			
DEC. DIM. 1		.X = .05		DIMENSIONS IN INCHES		HEAT TREAT. SPEC.	
FRAC. DIM. ± 1/64		.XX = .01		UNLESS OTHERWISE SPECIFIED		FINISH & SPEC. NO.	
ANGULAR DIM. ± 0° 30'		.XXX = .005		DRILL, PUNCH, COMMERCIAL STOCK SIZES AND MANUFACTURERS TOLERANCES ARE NOT INCLUDED.		T.M.C. (Canada) LIMITED OTTAWA ONTARIO	
T.M.C. (Canada) LIMITED OTTAWA ONTARIO				SCHEMATIC MICROPHONE AMP.			
DRAWN		CHECKED		MECH. DES. APP.		FINAL APPROVAL	
J. RESCORLA		D. THOMAS				CK10809	



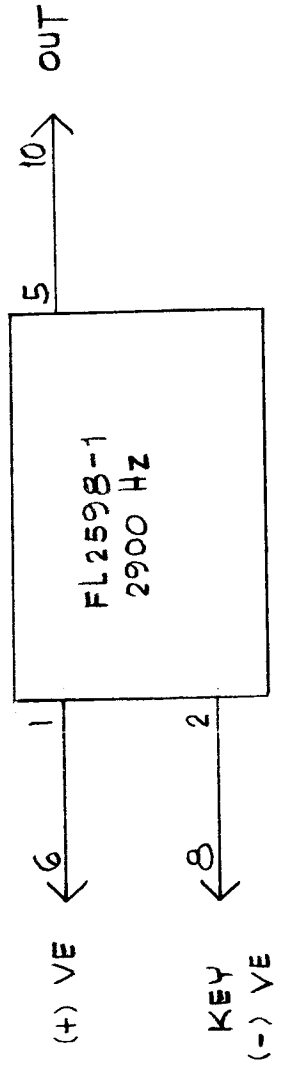
20 - 10 - 10 - 10 - 10 - 10 - 10 - 10

ISSUE	ITEM	CHANGED FROM	DATE	CN. NO.	DRAFTS	CHECKER	ENG. APP.	REQ.	ITEM	PART NO.	DESCRIPTION	SYMBOL
USED ON												
LPA-1L			088/70		PROJECT NO.		A-10793-5		DATE		TMC(Canada) LIMITED OTTAWA ONTARIO	
MAXIMUM ALLOWABLE TOLERANCES HAVE BEEN DETERMINED AND DEVIATIONS WILL BE CAUSE FOR REJECTION REMOVE ALL BURRS AND SHARP EDGES			IF IT IS FOUND DESIRABLE TO CHANGE ANY TOLERANCE OR OTHER DETAIL SPECIFIED ON THIS DRAWING NOTIFY THE PURCHASER PROMPTLY.			STOCK SIZE			SERVO RETURN BOARD			
TOLERANCES			SCALE			MATERIAL			DRAWN			
DEC. DIM. ± .05			DIMENSIONS IN INCHES			TYPE & TEMPER			ELEC. DES. APP.			
FRAC. DIM. ± 1/64			UNLESS OTHERWISE SPECIFIED			HEAT TREAT. SPEC			CHECKED			
ANGULAR DIM. ± 0'30"			DRILL: PUNCH, COMMERCIAL STOCK SIZES AND MANUFACTURERS TOLERANCES ARE NOT INCLUDED.			FINISH & SPEC. NO.			MECH. DES. APP.			
ALL OTHERS									FINAL APPROVAL			
									CK-10822			



REVISED FROM	DATE	CHKD BY	CHKD DATE	REQ. NO.	REQ. DATE	REQ. ITEM	PART NO.	DESCRIPTION	SYMBOL
X	ENG. RELEASE	1/24/71							
MODEL	PROJECT NO.	ASSY. NO.	DATE	<p style="text-align: center;">USED ON</p> <p>IF IT IS FOUND DESIRABLE TO CHANGE ANY TOLERANCE OR OTHER DETAIL SPECIFIED ON THIS DRAWING NOTIFY THE PURCHASER PROMPTLY.</p> <p>SCALE</p> <p>DIMENSIONS IN INCHES UNLESS OTHERWISE SPECIFIED</p> <p>DRILL, PUNCH, COMMERCIAL STOCK SIZES AND MANUFACTURERS TOLERANCES ARE NOT INCLUDED.</p>					
DOT SPARK 152	C11164	A10755-7	12 APR 71						
STOCK SIZE	MATERIAL	WEIGHT PER PC.	<p>MAXIMUM ALLOWABLE TOLERANCES HAVE BEEN DETERMINED AND DEVIATIONS WILL BE CAUSE FOR REJECTION REMOVE ALL BURRS AND SHARP EDGES</p> <p>TOLERANCES</p> <p>DEC. DIM. ± .08</p> <p>FRACTIONAL DIM. ± .01</p> <p>ANGULAR DIM. ± 0'30"</p> <p>XXX = .005</p>						
TMC (Ottawa) LIMITED	OTTAWA		SCHEMATIC MICROPHONE AMP.						
U THOMAS	DRAWN		CHECKED						
FINAL APPROVAL		CK 10823							
X									

ISSUE	ITEM	CHANGED FROM	DATE	CN. NO.	DRAFTS	CHECKER	ENB. APP.	REQ.	ITEM	PART NO.	DESCRIPTION	SYMBOL
Ø		REL TO PROD	13 MAR 73		ØMM	S.P.W.	S.P.W.					



RCSR-IT		141/71	PROJECT NO.	11082-5	ASSY. NO.	13 MAR 73	DATE
MODEL		USED ON					
MAXIMUM ALLOWABLE TOLERANCES HAVE BEEN DETERMINED AND DEVIATIONS WILL BE CAUSE FOR REJECTION REMOVE ALL BURRS AND SHARP EDGES		IF IT IS FOUND DESIRABLE TO CHANGE ANY TOLERANCE OR OTHER DETAIL SPECIFIED ON THIS DRAWING NOTIFY THE PURCHASER PROMPTLY.					
TOLERANCES		SCALE					
DEC. DIM. ± .05		DIMENSIONS IN INCHES					
FRAC. DIM. ± 1/64		UNLESS OTHERWISE SPECIFIED					
ANGULAR DIM. ± 0°30'		DRILL, PUNCH, COMMERCIAL STOCK SIZES AND MANUFACTURERS TOLERANCES ARE NOT INCLUDED.					
ALL OTHERS	.XX = .01		.XXX = .005		HEAT TREAT. SPEC.		
TMC (Canada) LIMITED		STOCK SIZE		MATERIAL		WEIGHT PER PC	
OTTAWA ONTARIO							
SCHEMATIC DIAGRAM							
TONE ENCODER BOARD							
DRAWN		ELEC. DES. APP.		MECH. DES. APP.		FINAL APPROVAL	
S.P.W.		S.P.W.		S.WITTEN			
CK10896							