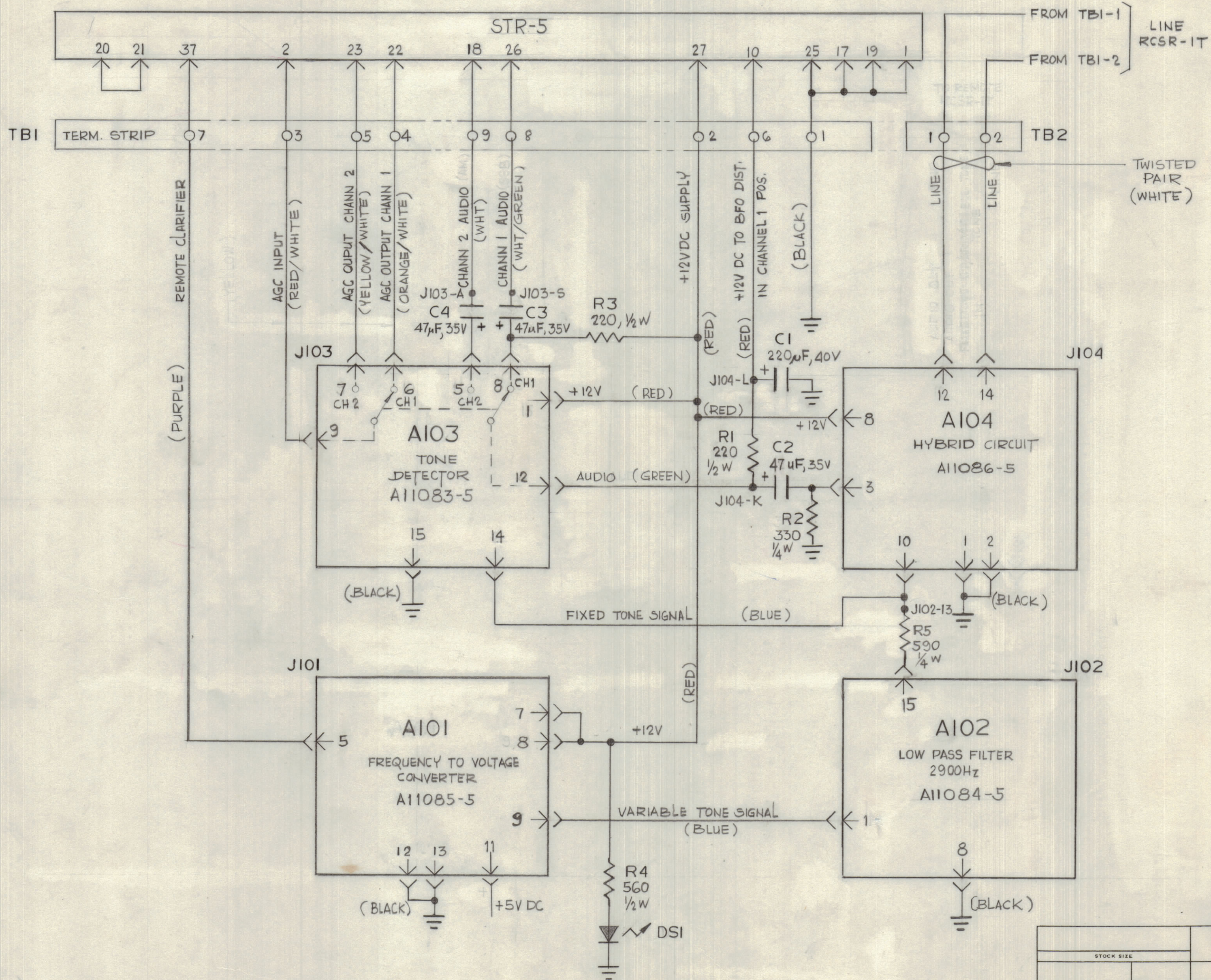


IF IT IS FOUND DESIRABLE TO CHANGE ANY TOLERANCE OR OTHER DETAIL SPECIFIED ON THIS DRAWING NOTIFY THE PURCHASER PROMPTLY.		DIMENSIONS IN INCHES UNLESS OTHERWISE SPECIFIED					
MAXIMUM ALLOWABLE TOLERANCES HAVE BEEN DETERMINED AND DEVIATIONS WILL BE CAUSE FOR REJECTION. REMOVE ALL BURRS AND SHARP EDGES.							
ISSUE	ITEM	CHANGED FROM	DATE	CN. NO.	DRAFTS	CHECKER	ENG. APP.
0		REL TO PROD	13 FEB 73			SM	SOW SOW

REQ.	ITEM	PART NO.	DESCRIPTION	SYMBOL
------	------	----------	-------------	--------



CK10891

TOLERANCES		SCALE:
ALL OTHERS	DEC. DIM. ± .05 FRAC. DIM. ± 1/64 ANGULAR DIM. ± 0° 30'	DRILL, PUNCH, COMMERCIAL STOCK SIZES AND MANUFACTURERS TOLERANCES ARE NOT INCLUDED.

RCSR-IR	141/72	A11097	2 FEB 73
MODEL	PROJECT NO.	ASSY. NO.	DATE

STOCK SIZE		TMC(Canada) LIMITED OTTAWA ONTARIO	
MATERIAL		WIRING DIAGRAM RCSR-IR	
WEIGHT PER PC.		DRAWN: <i>amarij</i>	
TYPE & TEMPER.		ELEC. DES. APP. S.WITTEN	
HEAT TREAT. SPEC.		MECH. DES. APP.	
FINISH & SPEC. NO.		CHECKED	
		FINAL APPROVAL	
		CK10891	