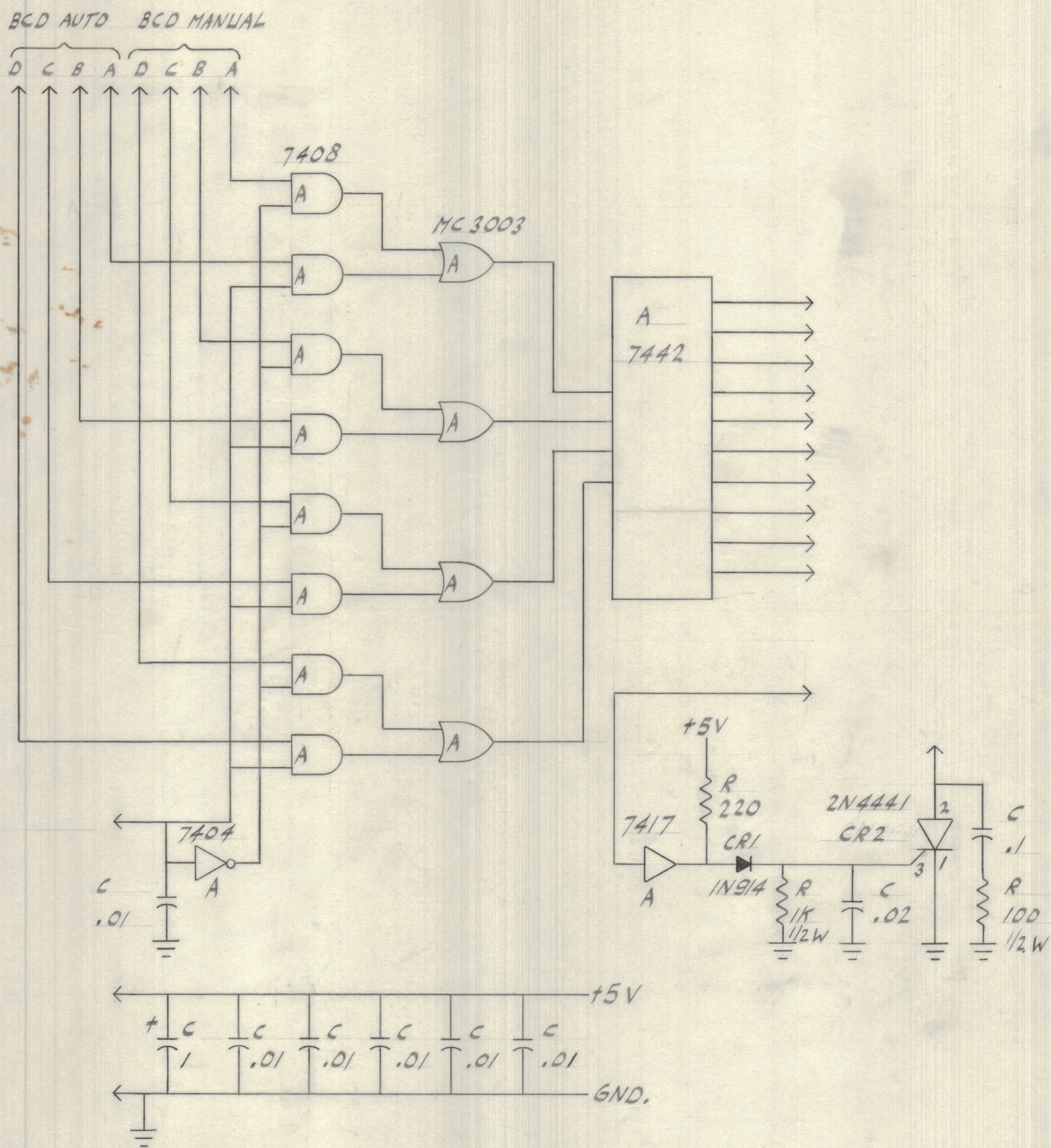


IF IT IS FOUND DESIRABLE TO CHANGE ANY TOLERANCE OR OTHER DETAIL SPECIFIED ON THIS DRAWING NOTIFY THE PURCHASER PROMPTLY.		DIMENSIONS IN INCHES UNLESS OTHERWISE SPECIFIED					
MAXIMUM ALLOWABLE TOLERANCES HAVE BEEN DETERMINED AND DEVIATIONS WILL BE CAUSE FOR REJECTION. REMOVE ALL BURRS AND SHARP EDGES.							
ISSUE	ITEM	CHANGED FROM	DATE	CN. NO.	DRAFTS	CHECKER	ENG. APP.
X		ENG. RELEASE	JUNE 29-72		JVR		

REQ.	ITEM	PART NO.	DESCRIPTION	SYMBOL
------	------	----------	-------------	--------



CK10862 X

NOTE: 1. UNLESS OTHERWISE SPECIFIED RESISTANCE IN OHMS, 1/4 W. CAPACITANCE IN MICROFARADS

TOLERANCES		SCALE:
ALL OTHERS	DEC. DIM. ± 1/64 FRAC. DIM. ± 1/64 ANGULAR DIM. ± 0° 30'	.X = .05 .XX = .01 .XXX = .005
DRILL, PUNCH, COMMERCIAL STOCK SIZES AND MANUFACTURERS TOLERANCES ARE NOT INCLUDED.		

LPA-400	A11051-5	JUNE 29-72
MODEL	PROJECT NO.	ASS'Y. NO.
USED ON		

STOCK SIZE		TMC (Canada) LIMITED OTTAWA ONTARIO	
MATERIAL		SCHEMATIC DIAGRAM BAND SWITCH LOGIC	
TYPE & TEMPER.		J. VANRHEE	
HEAT TREAT. SPEC.		DRAWN: J. VANRHEE ELEC. DES. APP. MECH. DES. APP.	
FINISH & SPEC. NO.		CHECKED: _____ FINAL APPROVAL: _____	
		CK10862 X	