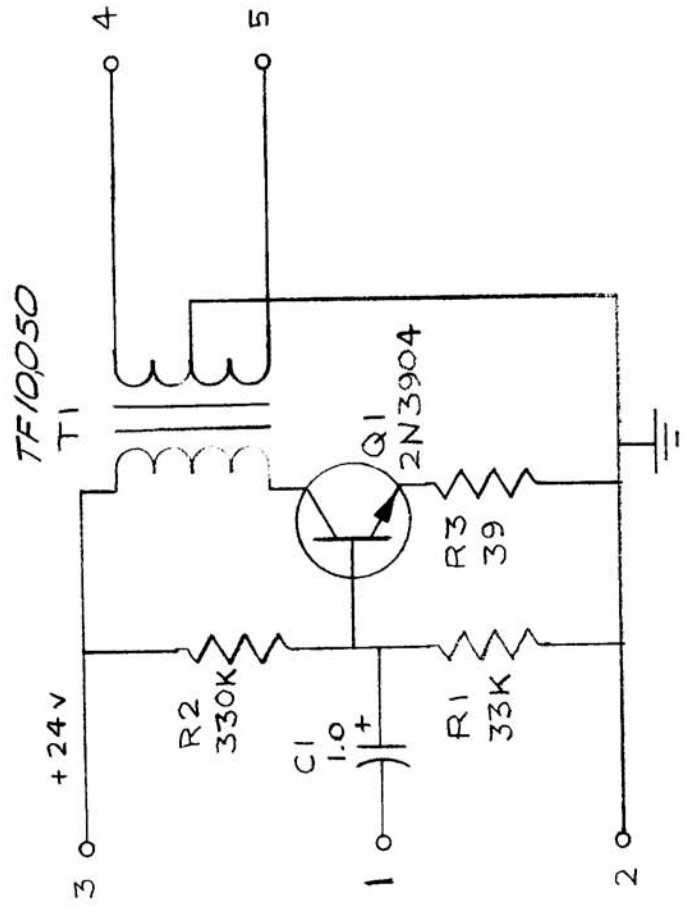


ISSUE	ITEM	CHANGED FROM	DATE	CN. NO.	DRAFTS	CHECKER	ENB. APP.	REQ.	ITEM	PART NO.	DESCRIPTION	SYMBOL
Ø		REL TO PROD	20 JAN 71		JDR							



SME-5		107/71	PROJECT NO.	20 JAN 71	DATE	TMC (Canada) LIMITED OTTAWA ONTARIO	
MAXIMUM ALLOWABLE TOLERANCES HAVE BEEN DETERMINED AND DEVIATIONS WILL BE CAUSE FOR REJECTION. REMOVE ALL BURRS AND SHARP EDGES		IF IT IS FOUND DESIRABLE TO CHANGE ANY TOLERANCE OR OTHER DETAIL SPECIFIED ON THIS DRAWING NOTIFY THE PURCHASER PROMPTLY.		USED ON		SCHEMATIC MICROPHONE AMP.	
TOLERANCES		SCALE		MATERIAL		DRAWN	
DEC. DIM. 1		.X = .05		TYPE & TEMPER		J. RESCORLA	
FRAC. DIM. ± 1/64		.XX = .01		HEAT TREAT. SPEC.		D. THOMAS	
ANGULAR DIM. ± 0° 30'		.XXX = .005		FINISH & SPEC. NO.		CHECKED	
ALL OTHERS				FINISH & SPEC. NO.		MECH. DES. APP.	
				FINISH & SPEC. NO.		FINAL APPROVAL	
				FINISH & SPEC. NO.		CK10809	