

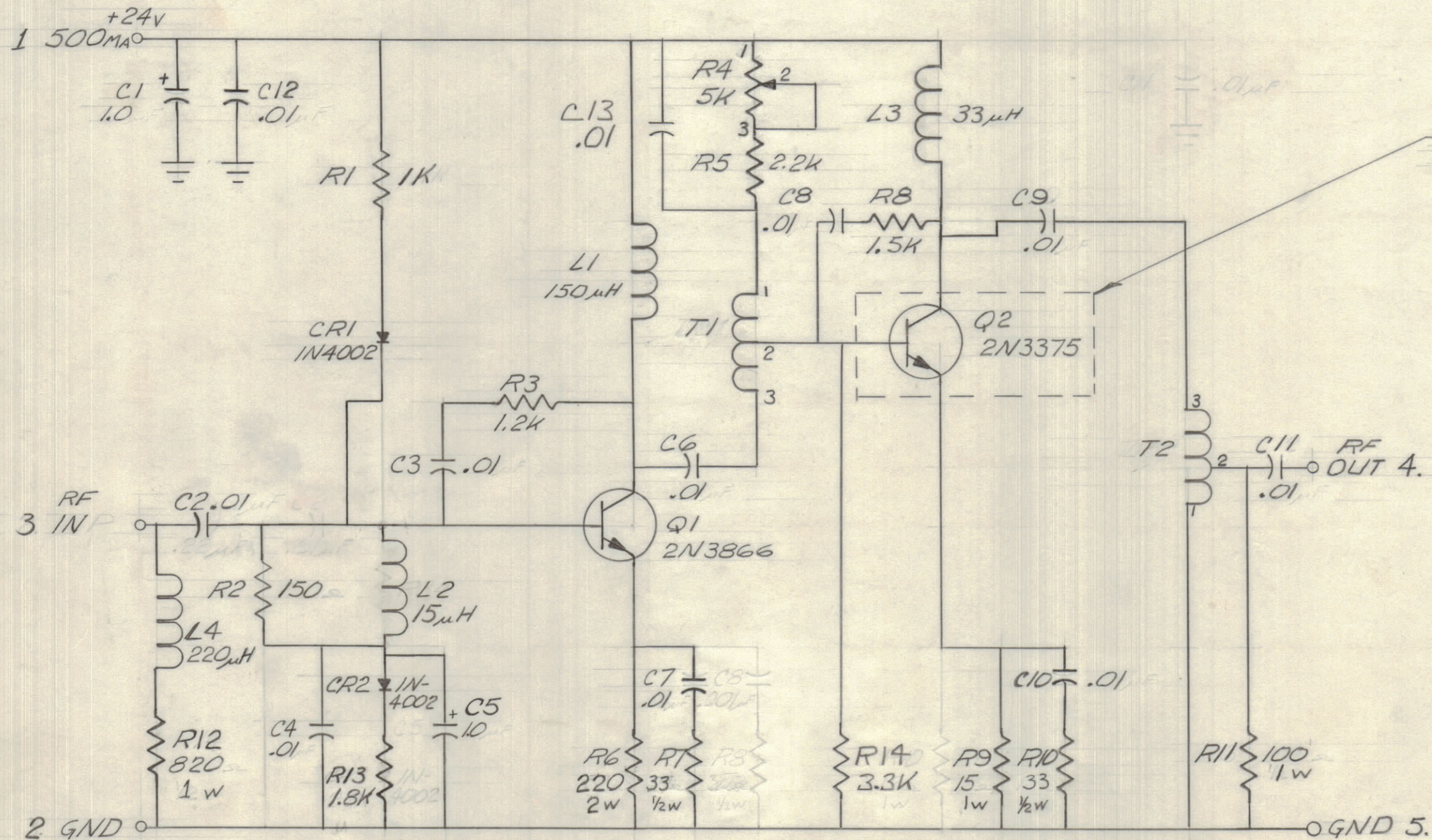
IF IT IS FOUND DESIRABLE TO CHANGE ANY TOLERANCE OR OTHER DETAIL SPECIFIED ON THIS DRAWING NOTIFY THE PURCHASER PROMPTLY.

DIMENSIONS IN INCHES UNLESS OTHERWISE SPECIFIED

MAXIMUM ALLOWABLE TOLERANCES HAVE BEEN DETERMINED AND DEVIATIONS WILL BE CAUSE FOR REJECTION. REMOVE ALL BURRS AND SHARP EDGES.

ISSUE	ITEM	CHANGED FROM	DATE	CH. NO.	DRAFTS	CHECKER	ENG. APP.
φ		PROD. RELEASE	FEB 3/71		JDR		
A		REV PER CEMN	APR 13/71	950	JR		
B		REV PER CEMN	JUNE 14/71	1006	JR		
C		REV PER CEMN	AUG 30/71	975	JR		

REQ.	ITEM	PART NO.	DESCRIPTION	SYMBOL
------	------	----------	-------------	--------



CK10796 C

NOTE: UNLESS OTHERWISE SPECIFIED;
RESISTANCE IN Ω, 1/4W;
CAPACITANCE IN μF.

LAST USED COMPONENT
DESIGNATIONS: Q2
C13
R14
T2
L4
CR2

TOLERANCES	SCALE:
ALL DEC. DIM. ± .XX*.05	DRILL, PUNCH, COMMERCIAL STOCK
OTHERS FRAC. DIM. ± 1/64 .XX*.01	SIZES AND MANUFACTURERS
ANGULAR DIM. ± 0° 30' .XXX*.005	TOLERANCES ARE NOT INCLUDED.

SME-5	107/70	A10934-5	4 Nov '70
MODEL	PROJECT NO.	ASSY. NO.	DATE

STOCK SIZE		TMC (Canada) LIMITED	
		OTTAWA	ONTARIO
WIDE BAND AMP			
MATERIAL	WEIGHT PER PC.		
TYPE & TEMPER		J. Rescorla	
HEAT TREAT. SPEC.		CHECKED	FINAL APPROVAL
FINISH & SPEC. NO.		CK10796 C	