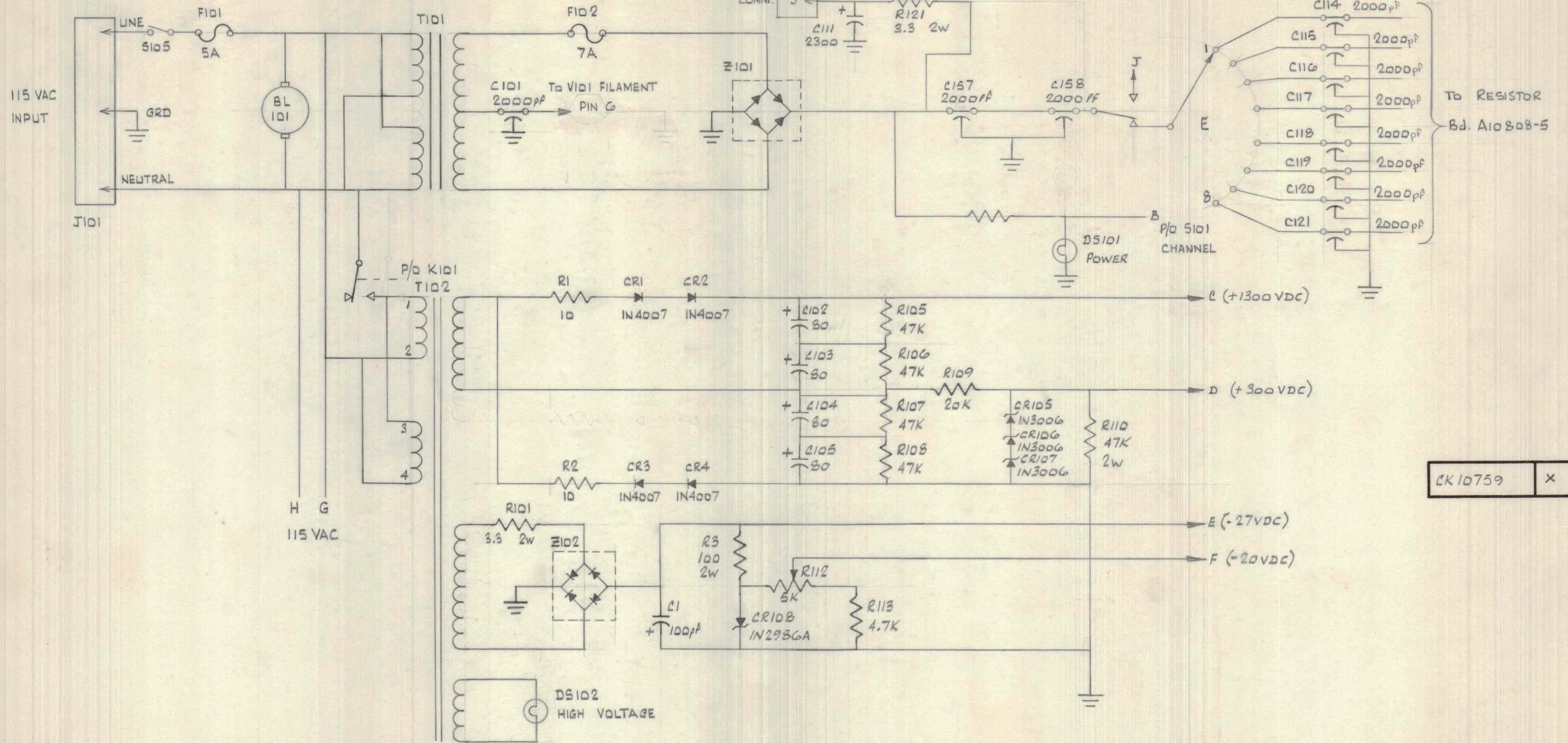


IF IT IS FOUND DESIRABLE TO CHANGE ANY TOLERANCE OR OTHER DETAIL SPECIFIED ON THIS DRAWING NOTIFY THE PURCHASER PROMPTLY.		DIMENSIONS IN INCHES UNLESS OTHERWISE SPECIFIED					
MAXIMUM ALLOWABLE TOLERANCES HAVE BEEN DETERMINED AND DEVIATIONS WILL BE CAUSE FOR REJECTION. REMOVE ALL BURRS AND SHARP EDGES.							
ISSUE	ITEM	CHANGED FROM	DATE	CH. NO.	DRAFTS	CHECKER	ENG. APP.
X		ENG RELEASE	30 JAN 71				

REQ.	ITEM	PART NO.	DESCRIPTION	SYMBOL
------	------	----------	-------------	--------



CK10759 X

UNLESS OTHERWISE STATED  
 RESISTANCE IN OHMS  
 CAPACITANCE IN  $\mu$ F.  
 INDUCTANCE IN  $\mu$ H.

TOLERANCES		SCALE:
ALL OTHERS	DEC. DIM. $\pm \frac{1}{64}$ FRAC. DIM. $\pm \frac{1}{64}$ ANGULAR DIM. $\pm 0^\circ 30'$	.XX+.08 .XX+.01 .XXX+.008
DRILL, PUNCH, COMMERCIAL STOCK SIZES AND MANUFACTURERS TOLERANCES ARE NOT INCLUDED.		

MCTA-100	102/70	29 JAN 70
MODEL	PROJECT NO.	ASSY. NO.
USED ON		

STOCK SIZE		TMC (Canada) LIMITED OTTAWA ONTARIO	
MATERIAL		SCHEMATIC DIAGRAM	
WEIGHT PER PC.		MCTA-100	
TYPE & TEMPER		PROCTOR DRAWN	EA ELEC. DES. APP.
HEAT TREAT. SPEC.		MECH. DES. APP.	
FINISH & SPEC. NO.		Sht. 1 of 2	CK10759 X