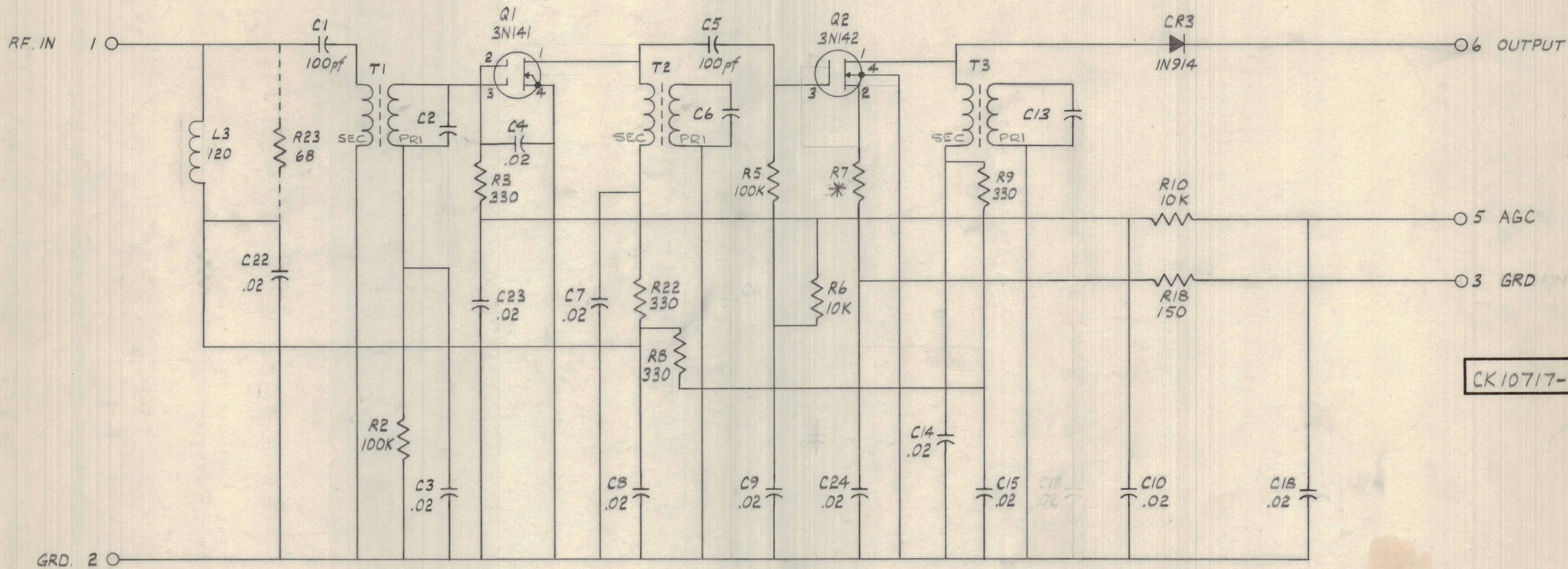


IF IT IS FOUND DESIRABLE TO CHANGE ANY TOLERANCE OR OTHER DETAIL SPECIFIED ON THIS DRAWING NOTIFY THE PURCHASER PROMPTLY.		DIMENSIONS IN INCHES UNLESS OTHERWISE SPECIFIED					
MAXIMUM ALLOWABLE TOLERANCES HAVE BEEN DETERMINED AND DEVIATIONS WILL BE CAUSE FOR REJECTION. REMOVE ALL BURRS AND SHARP EDGES.							
ISSUE	ITEM	CHANGED FROM	DATE	CN. NO.	DRAFTS	CHECKER	ENG. APP.
Ø		PROD RELEASE	6 APR 1970				
A		REV AS PER CEMN	25 JUL 70				

REQ.	ITEM	PART NO.	DESCRIPTION	SYMBOL
------	------	----------	-------------	--------



CK10717-A

* SEE NOTE 6.

- NOTES.
- CONNECT RESISTOR R23, IN POSITION SHOWN DOTTED.
 - VALUE OF C1 TO BE 56 pf.
 - VALUE OF C1 TO BE 0.02 µF.
 - VALUES OF C2 C6 & C13 ARE DEPENDENT ON FREQUENCY BAND.
 - UNLESS OTHERWISE STATED —
ALL RESISTANCE VALUES IN OHMS.
ALL CAPACITANCE VALUES IN MICRO FARADS.
ALL INDUCTANCE VALUES IN MICRO HENRIES.
 - VALUE OF R7 SELECTED ON TEST.

DASH NO.	DESCRIPTION	REF.
CK10717-1	SCHEMATIC SHOWN	REF. A10790-8 & -9
CK10717-2	SEE NOTE 1.	REF. A10790-5 & -6
CK10717-3	SEE NOTE 1 & 2.	REF. A10790-7
CK10717-4	SEE NOTE 3.	REF. A10790-10, -11, -12, & -13

LAST COMPONENT NUMBER USED.		
R23	C26	L3
T3	CR3	Q2

ALL COMPONENTS ARE 1100 SERIES

TOLERANCES		SCALE:
ALL	DEC. DIM. ± .015	.X = .08
OTHERS	FRAC. DIM. ± 1/64	.XX = .01
	ANGULAR DIM. ± 0° 30'	.XXX = .008

DRILL, PUNCH, COMMERCIAL STOCK SIZES AND MANUFACTURERS TOLERANCES ARE NOT INCLUDED.

MTR	087/70	SEE ABOVE	16 JAN. 70
MODEL	PROJECT NO.	ASSY. NO.	DATE

STOCK SIZE		TMC (Canada) LIMITED OTTAWA ONTARIO	
MATERIAL		SCHEMATIC DIAGRAM	
WEIGHT PER PC.		REC. RF. AMPLIFIER	
TYPE & TEMPER.		FEARNLEY	1/4
DRAWN		PROCTOR	
HEAT TREAT. SPEC.		CHECKED	FINAL APPROVAL
FINISH & SPEC. NO.		CK10717-A	