

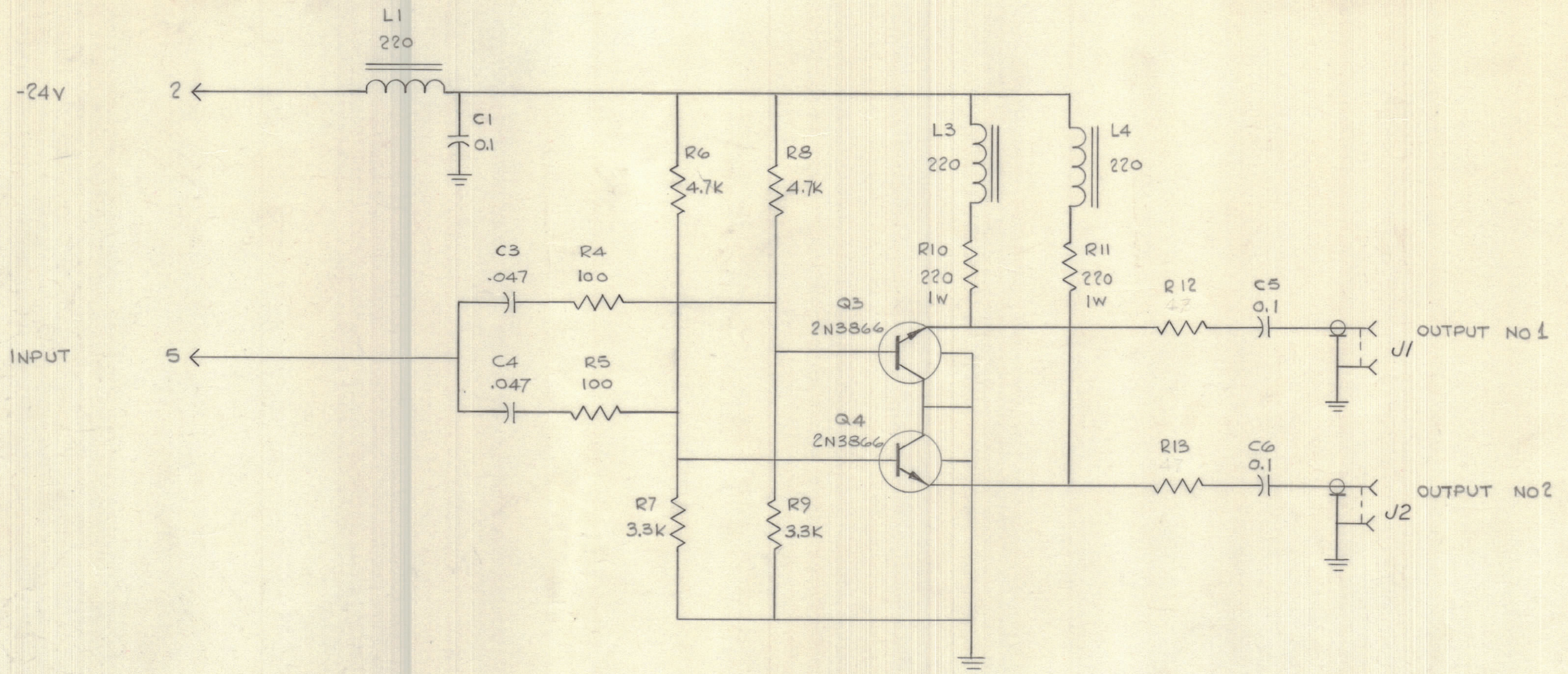
IF IT IS FOUND DESIRABLE TO CHANGE ANY TOLERANCE OR OTHER DETAIL SPECIFIED ON THIS DRAWING NOTIFY THE PURCHASER PROMPTLY.

MAXIMUM ALLOWABLE TOLERANCES HAVE BEEN DETERMINED AND DEVIATIONS WILL BE CAUSE FOR REJECTION. REMOVE ALL BURRS AND SHARP EDGES.

DIMENSIONS IN INCHES UNLESS OTHERWISE SPECIFIED

REQ.	ITEM	PART NO.	DESCRIPTION	SYMBOL
------	------	----------	-------------	--------

ISSUE	ITEM	CHANGED FROM	DATE	CN. NO.	DRAFTS	CHECKER	ENG. APP.
A		REDRAWN WITH CHANGE AS PER CEMN	16 APR 69	472	B		
B		MODEL PART NO. REVISED AS PER CEMN	30/9/69	560			
C		REV PER CEMN	15 MAR 72	1167	4B	NAT	
D		REV PER CEMN	12 JUNE 73	1236	JVM	Hcl	



CK10699 D

2.	75 Ω	68 Ω	68 Ω	A10686-7 (AX10056)
	50 Ω	47 Ω	47 Ω	A10686-8 (AX10055)
	IMPEDANCE	R12	R13	ASSEMBLY ASSEMBLY

1. UNLESS SPECIFIED OTHERWISE,
 RESISTANCE IN OHMS, .25 WATT
 CAPACITANCE IN μF
 INDUCTANCE IN μH
 NOTES:-

TOLERANCES			SCALE:
ALL OTHERS	DEC. DIM. ± 1/64	.XX*.01	DRILL, PUNCH, COMMERCIAL STOCK SIZES AND MANUFACTURERS TOLERANCES ARE NOT INCLUDED.
	ANGULAR DIM. ± 0° 30'	.XXX*.005	

MODEL	PROJECT NO.	ASS'Y. NO.	DATE
	SEE NOTE 2		25 FEB 69

STOCK SIZE		TMC (Canada) LIMITED OTTAWA ONTARIO	
MATERIAL		SCHEMATIC	
WEIGHT PER PC.		OUTPUT MODULE 502	
TYPE & TEMPER	AP	K.H.	
	DRAWN	ELEC. DES. APP.	MECH. DES. APP.
HEAT TREAT. SPEC.	CHECKED	FINAL APPROVAL	
		CK10699 D	
FINISH & SPEC. NO.			