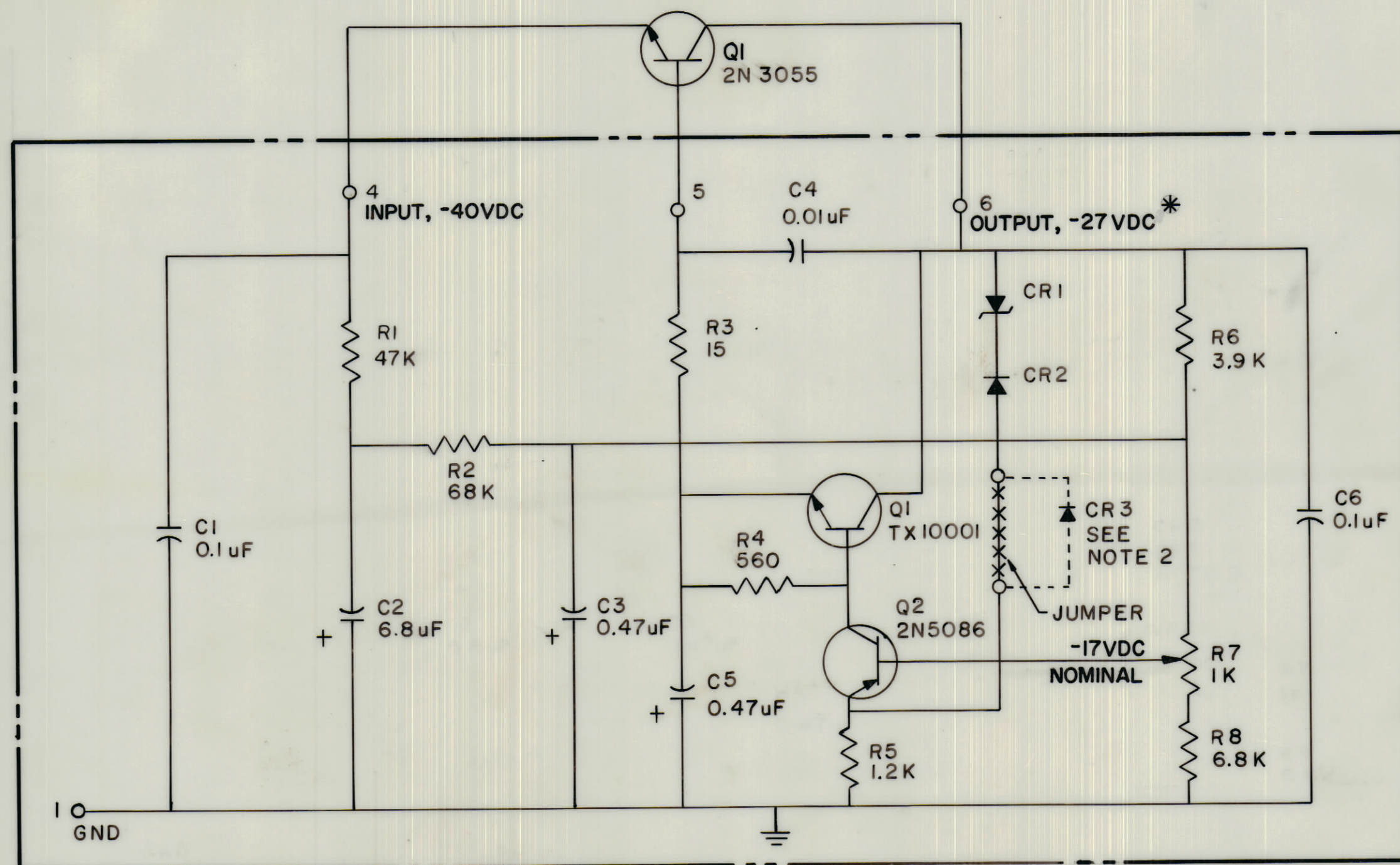


IF IT IS FOUND DESIRABLE TO CHANGE ANY TOLERANCE OR OTHER DETAIL SPECIFIED ON THIS DRAWING NOTIFY THE PURCHASER PROMPTLY.						DIMENSIONS IN INCHES UNLESS OTHERWISE SPECIFIED	
MAXIMUM ALLOWABLE TOLERANCES HAVE BEEN DETERMINED AND DEVIATIONS WILL BE CAUSE FOR REJECTION. REMOVE ALL BURRS AND SHARP EDGES.							
ISSUE	ITEM	CHANGED FROM	DATE	CN. NO.	DRAFTS	CHECKER	ENG. APP.
D		REV PER CEMN	3 MAR 72	1145	4B	KB	JW

REQ.	ITEM	PART NO.	DESCRIPTION	SYMBOL
------	------	----------	-------------	--------



CK10683 D

1. CAPACITANCE IN MICROFARADS  
RESISTANCE IN OHMS .5 WATT  
UNLESS OTHERWISE STATED :

NOTES

2.

MODEL	CR 1	CR 2	CR 3	ASSY NO.
AMC 8	IN758	IN914B		A10746-5
AMC 21	IN758	IN914B		A10746-5
AMC 22	IN758	IN914B		A10746-5
AMC 23	IN758	IN914B		A10746-5
AMC 32	IN758	IN914B		A10746-5
LMC 8	IN758	IN914B		A10746-5
LMC 32	IN758	IN914B	IN914B	A10746-6
MAC 1		IN914B		A10746-7

\*FOR LMC-32, THIS  
VALUE IS -28VDC

TOLERANCES		SCALE:
ALL OTHERS	DEC. DIM. ± .05 FRAC. DIM. ± 1/64 ANGULAR DIM. ± 0° 30'	DRILL, PUNCH, COMMERCIAL STOCK SIZES AND MANUFACTURERS TOLERANCES ARE NOT INCLUDED.

SEE NOTE 2		3-MAR 72	
MODEL	PROJECT NO.	ASS'Y. NO.	DATE

STOCK SIZE		TMC (Canada) LIMITED OTTAWA ONTARIO	
MATERIAL		SCHEMATIC DIAGRAM REGULATOR BOARD	
TYPE & TEMPER		L. BROWN DRAWN	
HEAT TREAT. SPEC.		K. BANERJIA CHECKED	
FINISH & SPEC. NO.		J. Wells ELC. DES. APP. J. Wells MECH. DES. APP. FINAL APPROVAL	
		CK10683 D	