

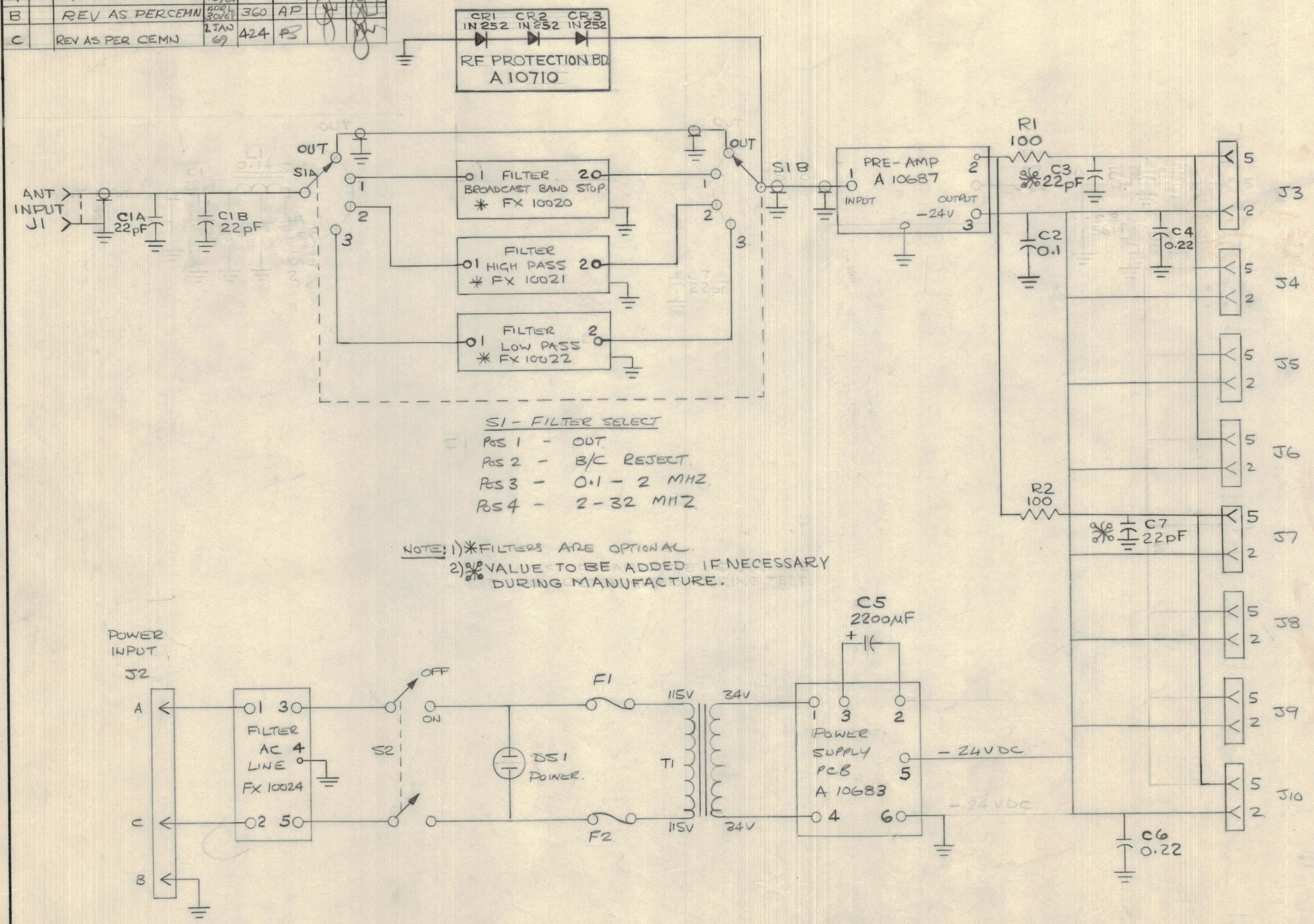
IF IT IS FOUND DESIRABLE TO CHANGE ANY TOLERANCE OR OTHER DETAIL SPECIFIED ON THIS DRAWING NOTIFY THE PURCHASER PROMPTLY.

MAXIMUM ALLOWABLE TOLERANCES HAVE BEEN DETERMINED AND DEVIATIONS WILL BE CAUSE FOR REJECTION. REMOVE ALL BURRS AND SHARP EDGES.

DIMENSIONS IN INCHES UNLESS OTHERWISE SPECIFIED

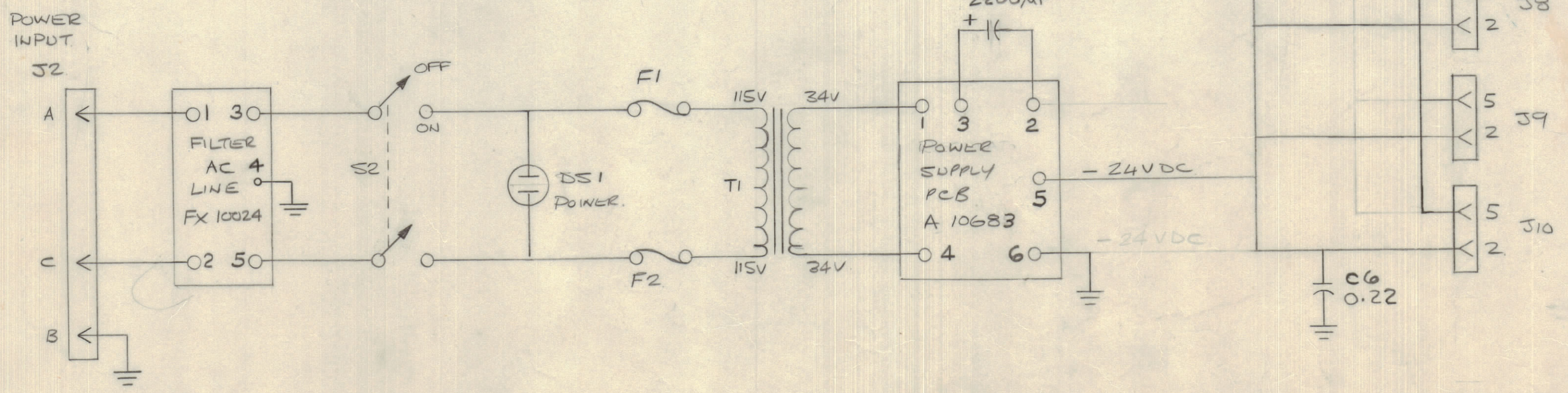
ISSUE	ITEM	CHANGED FROM	DATE	CN. NO.	DRAFTS	CHECKER	ENG. APP.
Ø		REL TO PROD	APRIL 11/68		AP		
A		REV AS PER CEM	APRIL 15/68	357	AP		
B		REV AS PER CEM	APRIL 30/68	360	AP		
C		REV AS PER CEM	JAN 2/69	424	PS		

REQ.	ITEM	PART NO.	DESCRIPTION	SYMBOL
------	------	----------	-------------	--------



S1 - FILTER SELECT
 Pos 1 - OUT
 Pos 2 - B/C REJECT
 Pos 3 - 0.1 - 2 MHZ.
 Pos 4 - 2 - 32 MHZ.

NOTE: 1) *FILTERS ARE OPTIONAL.
 2) % VALUE TO BE ADDED IF NECESSARY DURING MANUFACTURE.



CK 10664 C

TOLERANCES		SCALE:
ALL OTHERS	DEC. DIM. ± .08 FRAC. DIM. ± 1/64 ANGULAR DIM. ± 0° 30'	DRILL, PUNCH, COMMERCIAL STOCK SIZES AND MANUFACTURERS TOLERANCES ARE NOT INCLUDED.

AX 10047	07/68	8 FEB 68
MODEL	PROJECT NO.	DATE

STOCK SIZE		TMC (Canada) LIMITED OTTAWA ONTARIO	
MATERIAL		SCHEMATIC	
WEIGHT PER PC.		CHASSIS ASSY MAIN.	
TYPE & TEMPER	JW.	K.H.	
	DRAWN	ELEC. DES. APP.	MECH. DES. APP.
HEAT TREAT. SPEC.	CHECKED	FINAL APPROVAL	
FINISH & SPEC. NO.	CK 10664 C		